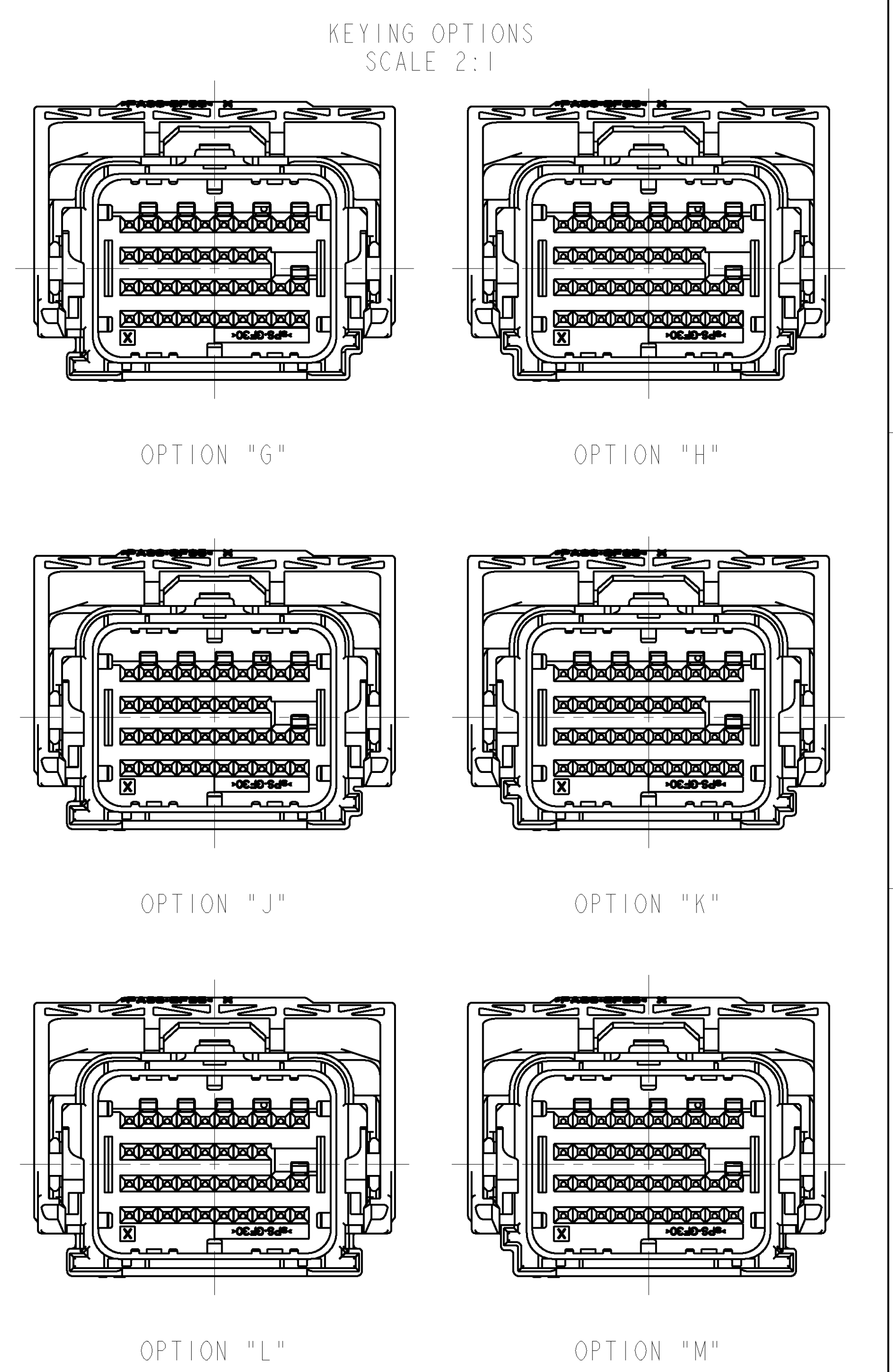
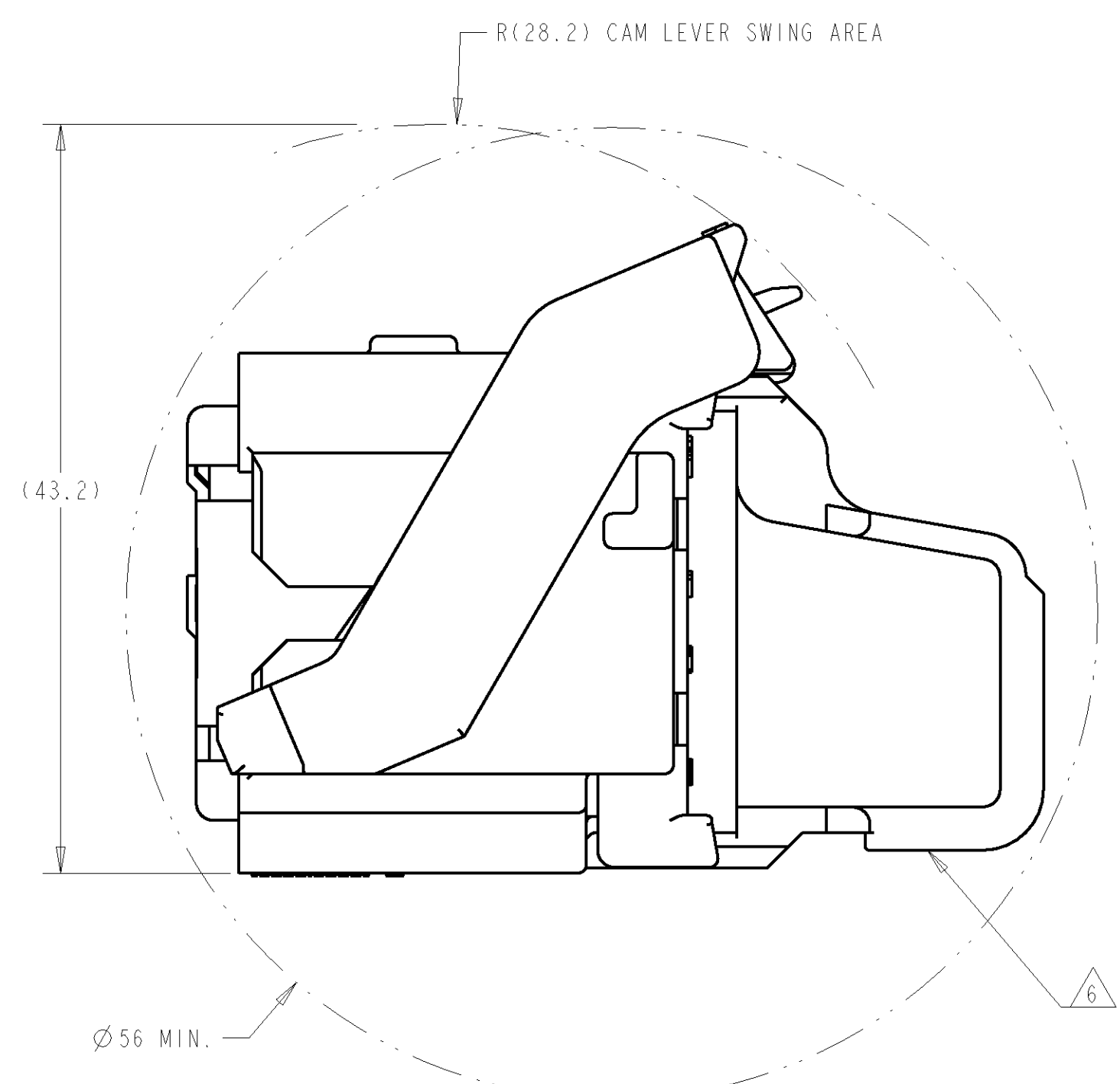
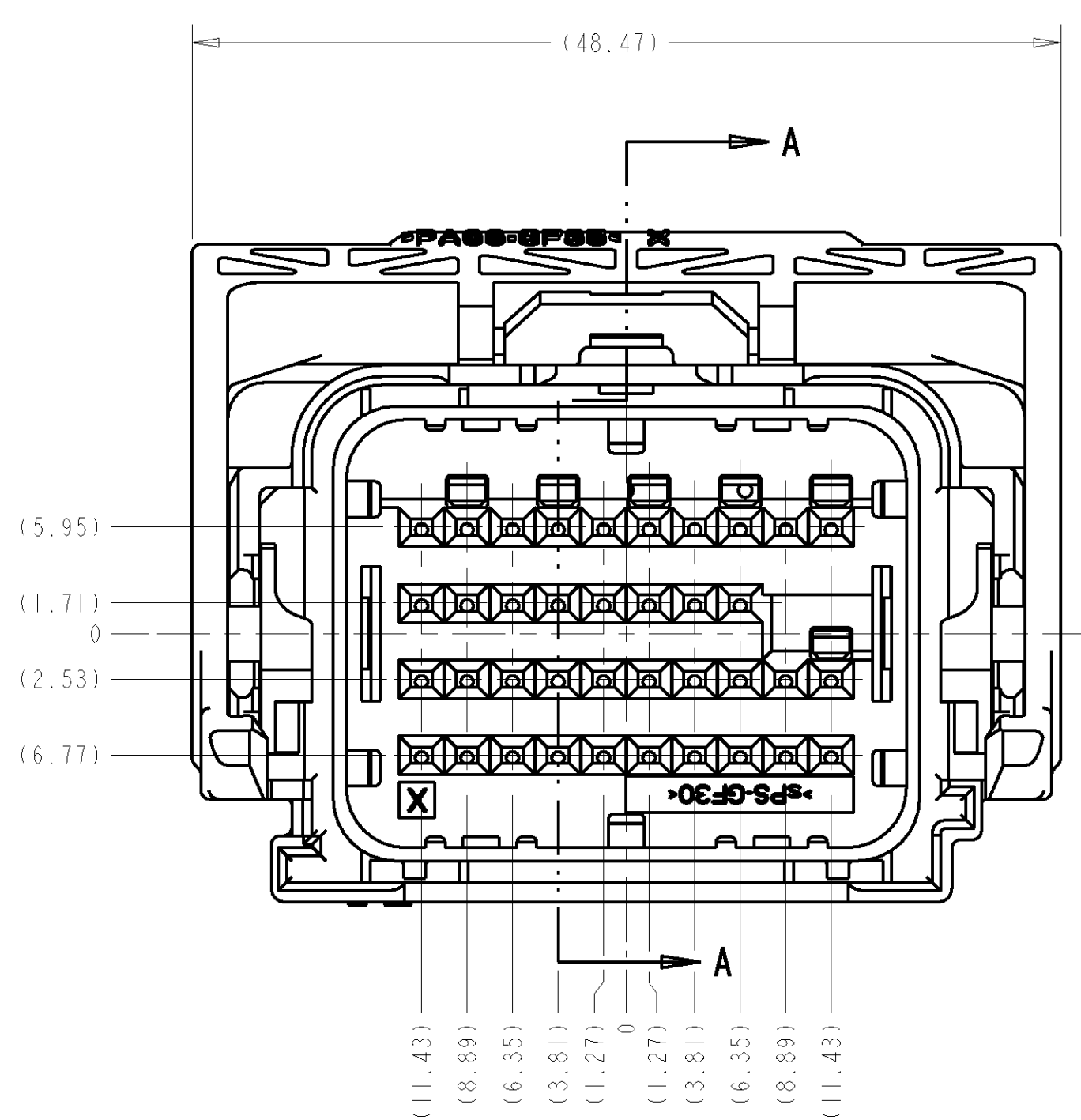
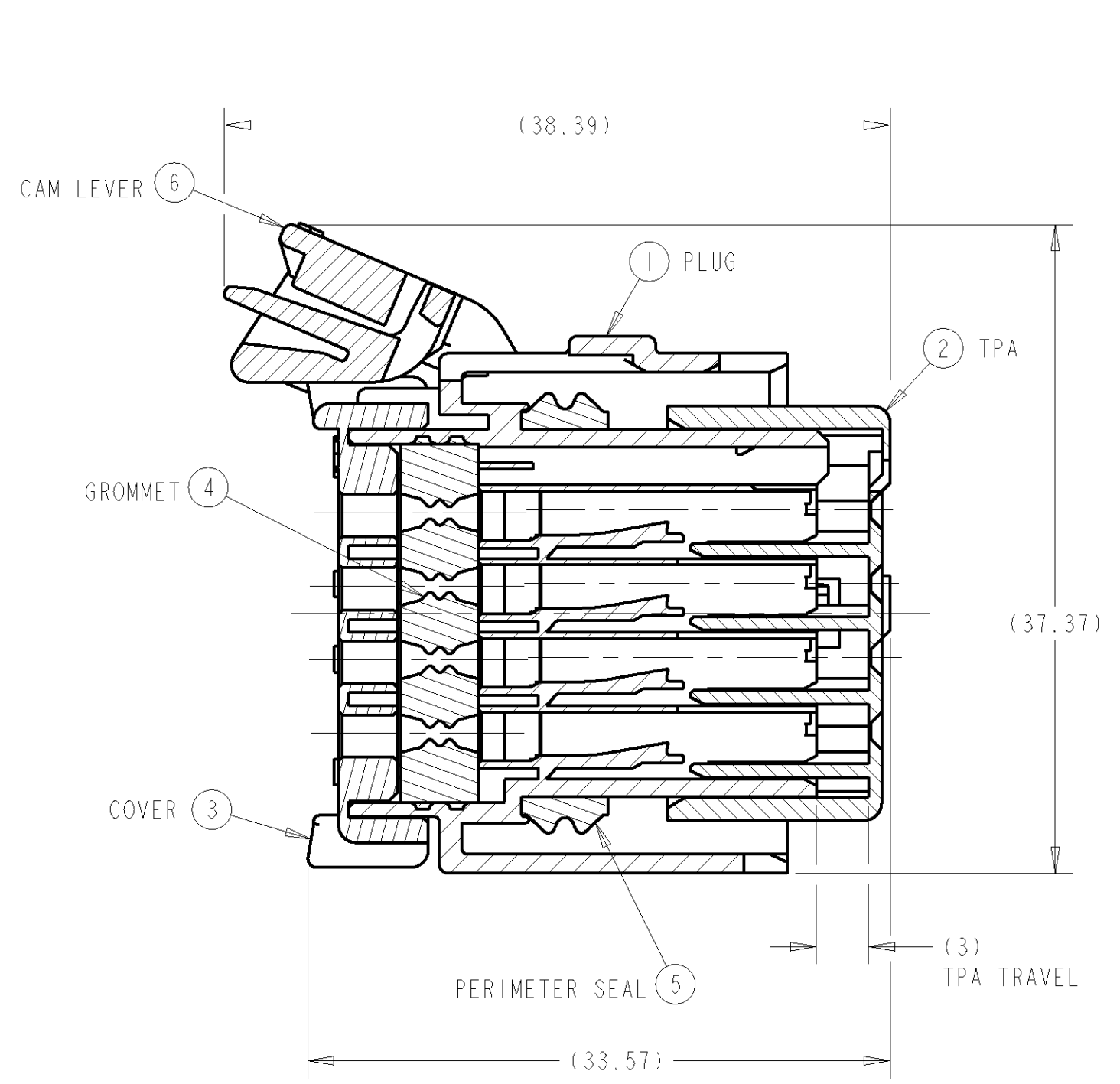
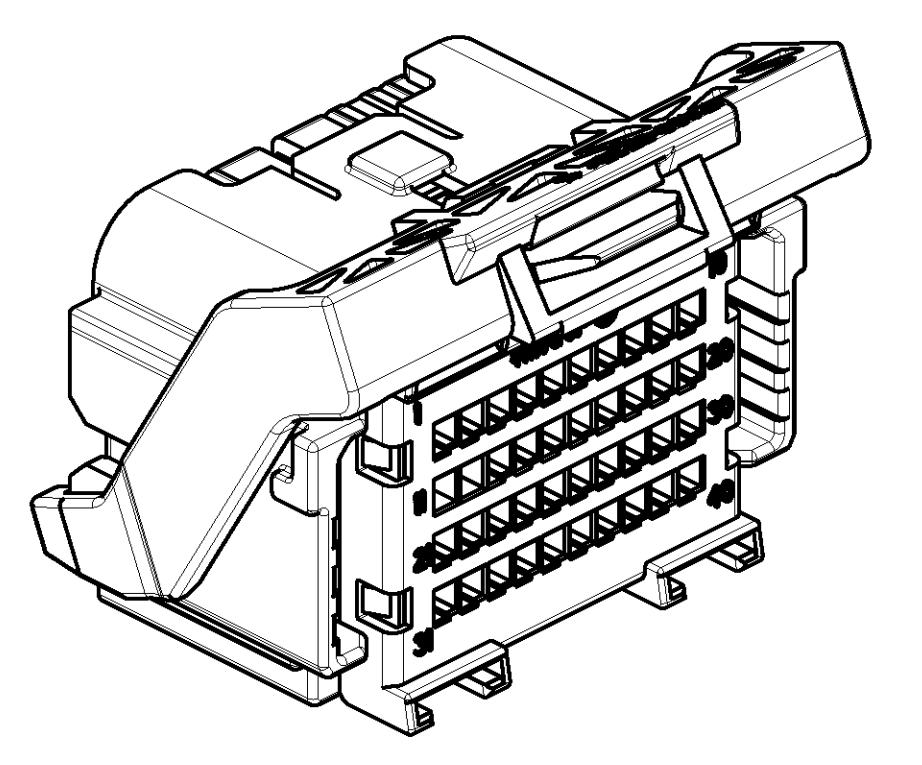
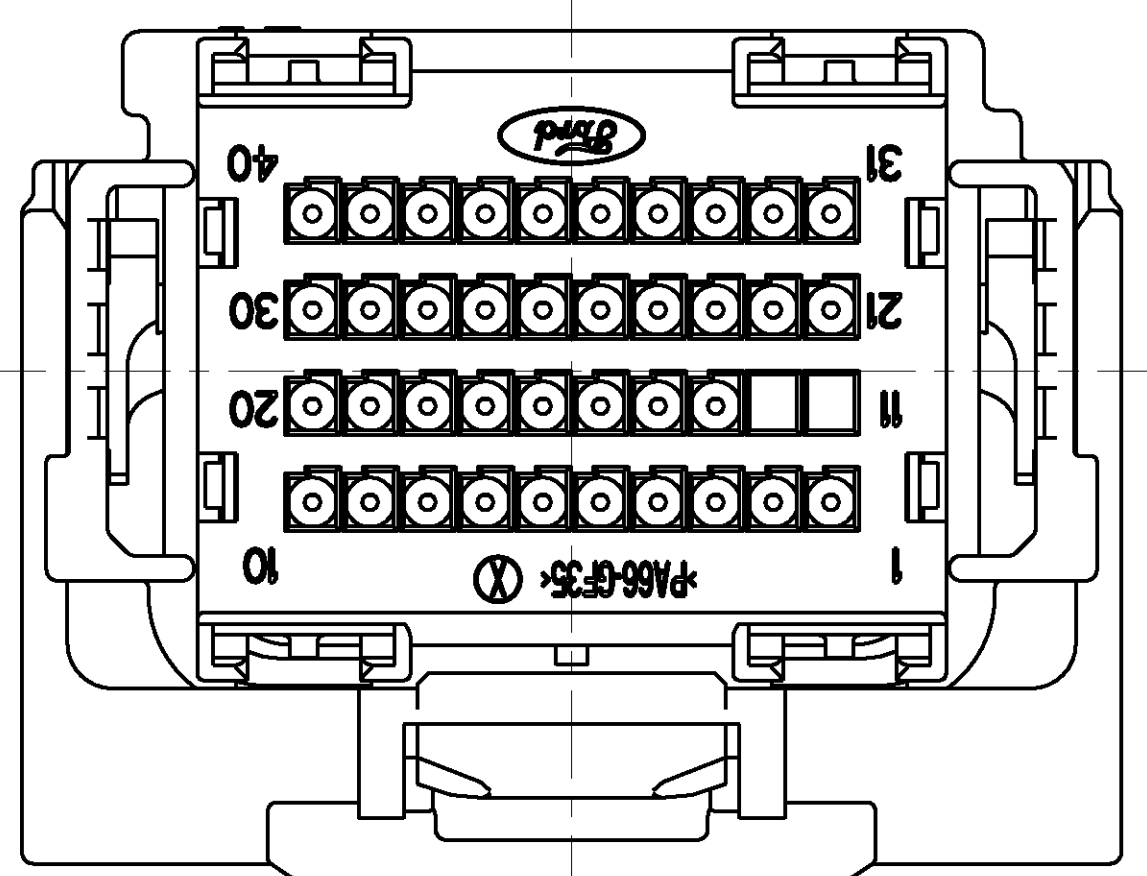
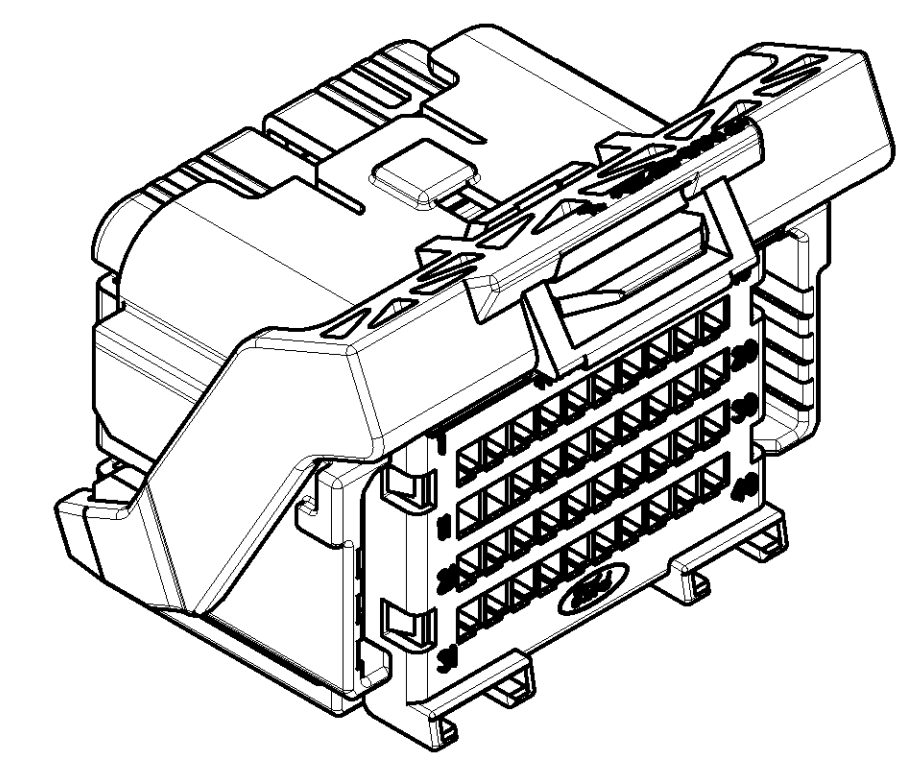
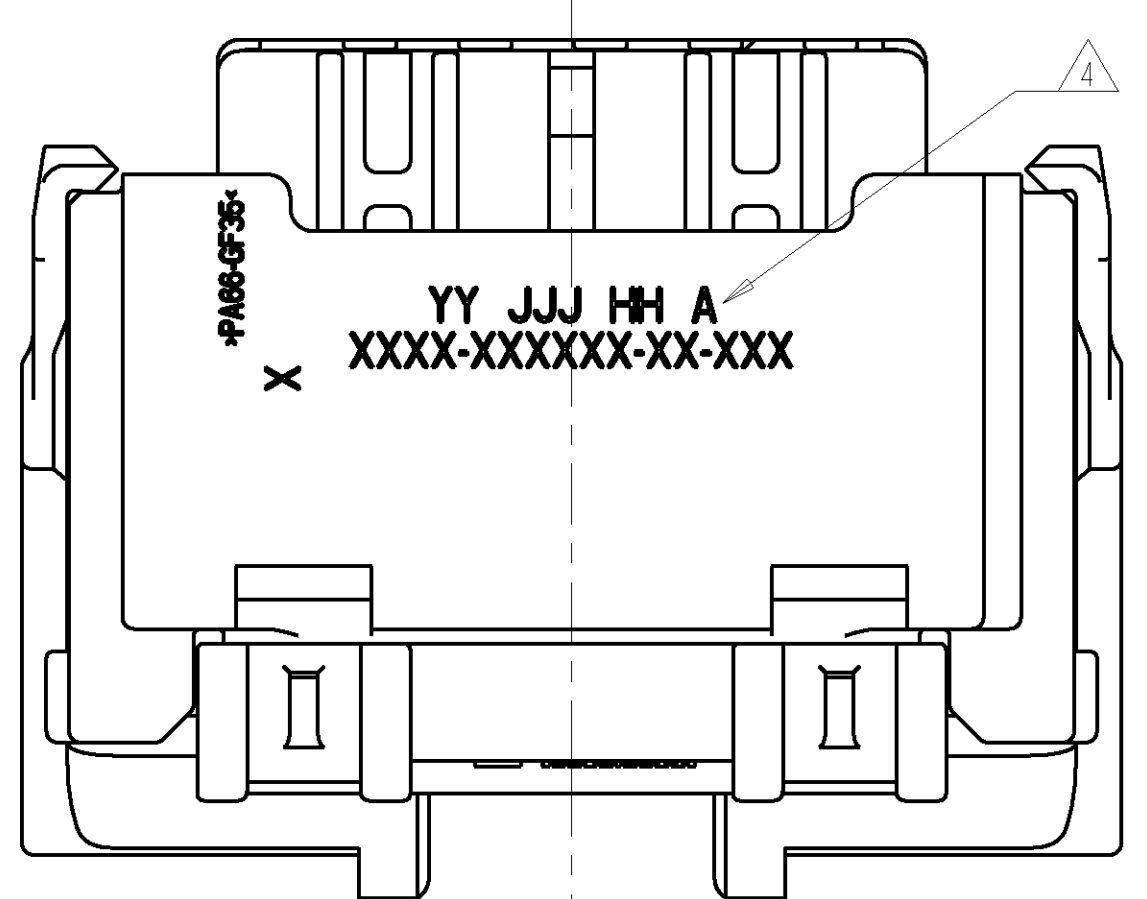
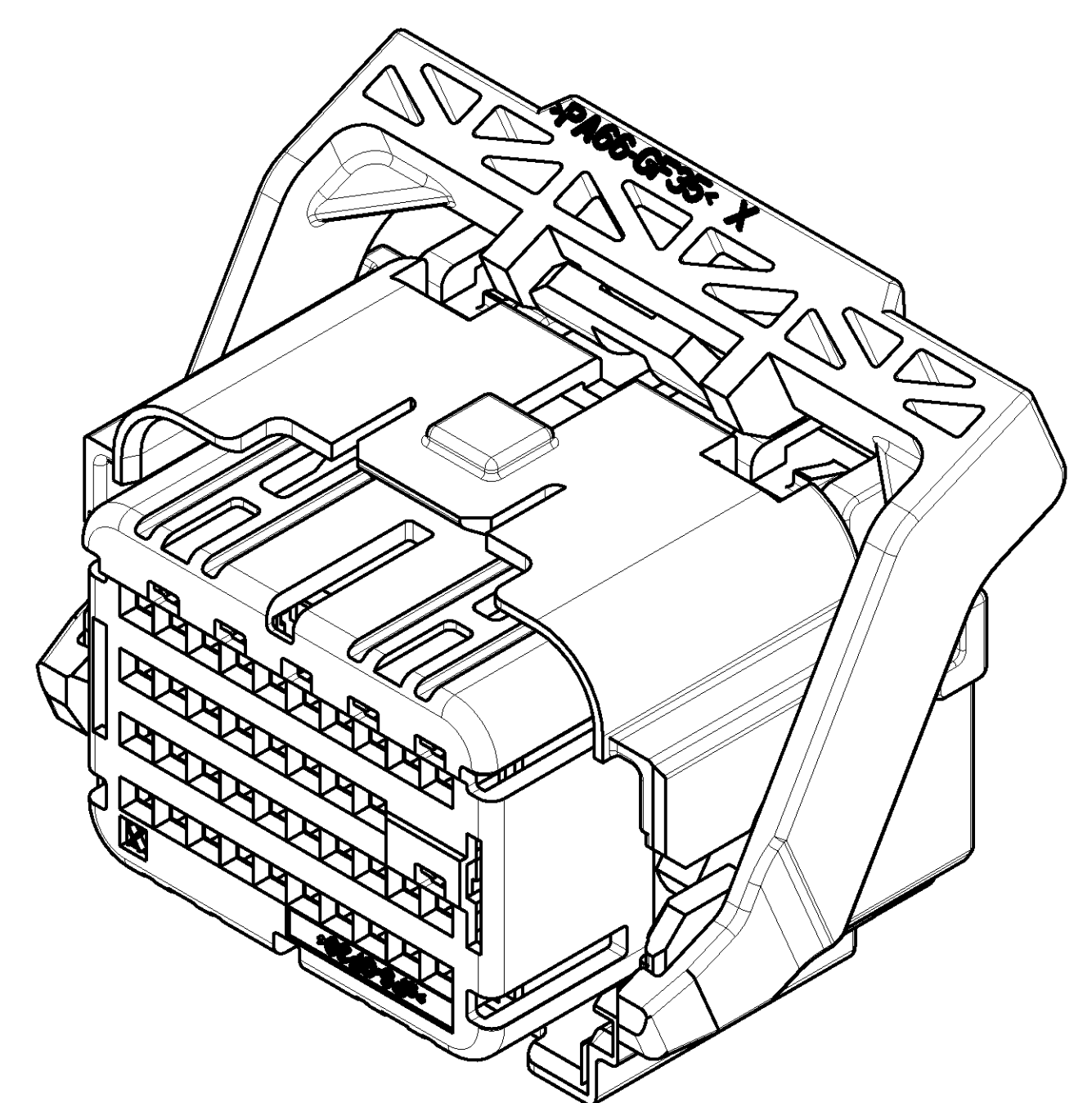


REVISONS		DATE	OWN	APVD
D	REVISED PER ECR 07-029132	07JAN2008	DLD	WTW
E	REVISED PER ECR 07-030366	08JAN2008	DLD	WTW
F	REVISED PER ECO 08-006962	19MAR2008	DLD	WTW



SECTION A-A
 SHOWN WITH CAM LEVER
 AND TPA IN THEIR
 PRE-LOADED POSITIONS
 (DELIVERY CONDITION)

MINIMUM FEED THROUGH CONDITION
 WITH 1mm CLEARANCE ALL AROUND
 SHOWN WITH OPTION WIRESHIELD
 TPA IS IN IT'S LOADED POSITION
 CAM LEVER IS IN IT'S PRE-LOADED POSITION



- NOTE(S):
- APPLICABLE TERMINAL PART NUMBERS (SOLD SEPARATELY):
 FOR TIN APPLICATIONS: 1393367 AND 1393366.
 FOR GOLD APPLICATIONS: 1393365 AND 1393364.
 FOR TERMINATION AND REELING OPTIONS
 SEE DRAWINGS 1393367, 1393366, 1393365, AND 1393364.
 - COMPATIBLE WIRE SIZES FOR MAT SEAL DESIGN 1.19 TO 2.06 O.D.
 (22-18 AWG, 0.35-0.75 mm²)
 - TPA AND CAM LEVER ARE SHIPPED IN THEIR PRE-LOADED POSITION.
 ALL ASSEMBLIES ARE TO BE TRAY PACKAGED.
 - CUSTOMER PART NUMBER AND TRACEABILITY CODE (YY = TWO DIGIT YEAR,
 JJJ = JULIAN DAY, HH = TWO DIGIT MILITARY HOUR, A=ASSEMBLY PROCESS
 USED) ARE PRINTED IN THIS LOCATION.
 - PART ASSEMBLY WEIGHT WITHOUT TERMINALS AND WITH STANDARD PIN-OUT
 CONFIGURATION IS 26.09 GRAMS.
 - OPTIONAL WIRESHIELD P/N 8-1419157-8 (SOLD SEPARATELY). PLEASE CONTACT
 YOUR TYCO ELECTRONICS SALES REPRESENTATIVE FOR AVAILABILITY AND PRICING.

DIMENSIONS: mm 		TOLERANCES UNLESS OTHERWISE SPECIFIED: 0 PLC ± 1 PLC ±0.3 2 PLC ±0.10 3 PLC ± 4 PLC ± ANGLES ± MAX		DWN: A. HOLT 14NOV2006 CHK: W. WELLSKY 14NOV2006 APVD: W. WELLSKY 14NOV2006		Tyco Electronics Harrisburg, PA 17105-3608	
MATERIAL: SEE CHART ON SHEET 2		FINISH:		WEIGHT: SEE NOTE 5		NAME: 40 WAY SHORTING BAR ARM PLUG ASSEMBLY WITHOUT SHORTING BARS LOADED	
CUSTOMER DRAWING		SCALE: 3:1		SHEET 1 OF 5		REV F	

LOC	DIST	REVISIONS			
		REV	DATE	BY	APPV
FX	00	-	SEE SHEET 1	-	-

ITEM	DESCRIPTION	MATERIAL	FINISH/COLOR
6	CAM LEVER	PA66 35% GF	GRAY
6	CAM LEVER WITH MODIFIED TAB	PA66 35% GF	GRAY
5	PERIMETER SEAL	SILICONE	GREEN
4	GROMMET	SILICONE	BROWN
3	COVER	PA66 35% GF	BLACK
2	TPA FOR SHORTING BAR APPLICATIONS	sPS 30% GF	NATURAL
1	PLUG WITH KEYING OPTION "H" AND 6 SHORTING BAR POSITIONS CONFIGURATION	PA66 35% GF	BLACK
1	PLUG WITH KEYING OPTION "G" AND 6 SHORTING BAR POSITIONS CONFIGURATION	PA66 35% GF	BLACK

QUANTITY

ITEM	DESCRIPTION	MATERIAL	FINISH/COLOR
6	CAM LEVER	PA66 35% GF	GRAY
6	CAM LEVER WITH MODIFIED TAB	PA66 35% GF	GRAY
5	PERIMETER SEAL	SILICONE	GREEN
4	GROMMET	SILICONE	BROWN
3	COVER	PA66 35% GF	BLACK
2	TPA FOR SHORTING BAR APPLICATIONS	sPS 30% GF	NATURAL
1	PLUG WITH KEYING OPTION "H" AND 6 SHORTING BAR POSITIONS CONFIGURATION	PA66 35% GF	BLACK
1	PLUG WITH KEYING OPTION "G" AND 6 SHORTING BAR POSITIONS CONFIGURATION	PA66 35% GF	BLACK

QUANTITY

ITEM	DESCRIPTION	MATERIAL	FINISH/COLOR
6	CAM LEVER	PA66 35% GF	GRAY
6	CAM LEVER WITH MODIFIED TAB	PA66 35% GF	GRAY
5	PERIMETER SEAL	SILICONE	GREEN
4	GROMMET	SILICONE	BROWN
3	COVER	PA66 35% GF	BLACK
2	TPA FOR SHORTING BAR APPLICATIONS	sPS 30% GF	NATURAL
1	PLUG WITH KEYING OPTION "H" AND 6 SHORTING BAR POSITIONS CONFIGURATION	PA66 35% GF	BLACK
1	PLUG WITH KEYING OPTION "G" AND 6 SHORTING BAR POSITIONS CONFIGURATION	PA66 35% GF	BLACK

QUANTITY

DIMENSIONS: mm 		TOLERANCES UNLESS OTHERWISE SPECIFIED: 0 PLC #+ 1 PLC #0.3 2 PLC #0.10 3 PLC #+ 4 PLC #+ ANGLES #+		DWN A. HOLT 14NOV2006 CHK W. WELLSKY 14NOV2006 APVD W. WELLSKY 14NOV2006 NAME: 40 WAY SHORTING BAR ARM PLUG ASSEMBLY WITHOUT SHORTING BARS LOADED SIZE: A1 WEIGHT: - CUSTOMER DRAWING: -		Tyco Electronics Harrisburg, PA 17105-3608 SCALE: 3:1 SHEET: 2 OF 5 REV: F	
-----------------------	--	--	--	--	--	--	--

LOC	QTY	REV	DATE	BY	APPV
FX	00				

PIN OUT CHART

BLANK CAVITIES INDICATE OPEN TERMINAL HOLE POSITIONS

CAVITIES WITH A NUMERIC SYMBOL INDICATE CLOSED TERMINAL HOLE POSITIONS

TERMINAL HOLE POSITION																																								ASSEMBLY PART NUMBER	KEYING OPTION							
1	2	3	4	5	6	7	8	9	10	11	12	13	14	15	16	17	18	19	20	21	22	23	24	25	26	27	28	29	30	31	32	33	34	35	36	37	38	39	40									
											11	12																														0-1924172-1	G					
1	2	3	4	5	6	7	8	9	10	11	12	13	14	15	16	17	18			21	22																						0-1924172-2	G				
			3	4	5	6	7	8	9	10	11	12	13	14	15	16																												0-1924172-3	G			
							7	8	9	10	11	12	13	14	15	16																													0-1924172-4	G		
							7	8	9	10	11	12																																		0-1924172-5	G	
1	2	3	4	5	6	7	8	9	10	11	12	13	14	15	16					21	22																								0-1924172-6	G		
							7	8	9	10	11	12					17	18																												0-1924172-7	G	
							7	8	9	10	11	12	13	14	15	16	17	18																												0-1924172-8	G	
1	2	3	4	5	6	7	8	9	10	11	12	13	14	15	16					21	22																								0-1924172-9	G		
							7	8	9	10	11	12																																			1-1924172-0	G
							7	8	9	10	11	12	13	14	15	16																															1-1924172-1	G
1	2	3	4	5	6	7	8	9	10	11	12	13	14	15	16					19	20	21	22	23	24																					1-1924172-2	G	
1	2					7	8	9	10	11	12										21	22																									1-1924172-3	G
			3	4	5	6					11	12																																			1-1924172-4	G
			3	4	5	6																																									1-1924172-5	G
			3	4	5	6					11	12																																			1-1924172-6	G

PIN OUT CHART

BLANK CAVITIES INDICATE OPEN TERMINAL HOLE POSITIONS

CAVITIES WITH A NUMERIC SYMBOL INDICATE CLOSED TERMINAL HOLE POSITIONS

TERMINAL HOLE POSITION																																								ASSEMBLY PART NUMBER	KEYING OPTION												
1	2	3	4	5	6	7	8	9	10	11	12	13	14	15	16	17	18	19	20	21	22	23	24	25	26	27	28	29	30	31	32	33	34	35	36	37	38	39	40														
							7	8	9	10	11	12								19	20																												0-1924173-1	H			
				5	6	7	8	9	10	11	12	13	14	15	16					19	20																												0-1924173-2	H			
												13	14	15	16																																			0-1924173-3	H		
1	2	3	4							9	10	11	12	13	14	15	16				21	22																											0-1924173-4	H			
1	2	3	4	5	6	7	8	9	10	11	12	13	14	15	16					21	22	23	24	25	26	27	28	29	30	31	32	33	34															0-1924173-5	H				
										9	10	11	12																																					0-1924173-6	H		
							7	8	9	10	11	12																																						0-1924173-7	H		
							7	8	9	10	11	12																																						0-1924173-8	H		
1	2	3	4	5	6	7	8	9	10	11	12	13	14	15	16					20	21	22																											0-1924173-9	H			
1	2	3	4	5	6	7	8	9	10	11	12	13	14	15	16					21	22																													1-1924173-0	H		
1	2	3	4	5	6	7	8	9	10	11	12	13	14	15	16					21	22																													1-1924173-1	H		
1	2	3	4	5	6	7	8	9	10	11	12	13	14	15	16					21	22																													1-1924173-2	H		
										9	10	11	12																																							1-1924173-3	H
1	2					7	8	9	10	11	12	13	14	15	16					21	22																														1-1924173-4	H	
1	2	3	4	5	6	7	8	9	10	11	12	13	14	15	16					21	22																														1-1924173-5	H	
1	2	3	4	5	6	7	8	9	10	11	12	13	14	15	16					21	22																														1-1924173-6	H	
1	2					7	8	9	10	11	12	13	14	15	16					21	22																														1-1924173-7	H	
1	2	3	4	5	6	7	8	9	10	11	12	13	14	15	16					21		23																												1-1924173-8	H		
			3	4	5	6					11	12																																							1-1924173-9	H	
			3	4	5	6					11	12																																							2-1924173-0	H	
			3	4	5	6					11	12																																							2-1924173-1	H	

<small>THIS DRAWING IS UNPUBLISHED. RELEASED FOR PUBLICATION APRIL 20, 2002 BY TYCO ELECTRONICS CORPORATION. ALL RIGHTS RESERVED.</small>		DWN: A. HOLT 14NOV2006 CHK: W. WELLINSKY 14NOV2006 APVD: W. WELLINSKY 14NOV2006	Tyco Electronics Harrisburg, PA 17105-3608
DIMENSIONS: mm	TOLERANCES UNLESS OTHERWISE SPECIFIED: 0 PLC ±.3 1 PLC ±0.3 2 PLC ±0.10 3 PLC ±.1 4 PLC ±.1 ANGLES ±.1°	PRODUCT SPEC: APPLICATION SPEC: WEIGHT: - CUSTOMER DRAWING	NAME: 40 WAY SHORTING BAR ARM PLUG ASSEMBLY WITHOUT SHORTING BARS LOADED SIZE: A 00779 SCALE: 3:1 SHEET: 5 OF 5 REV: F