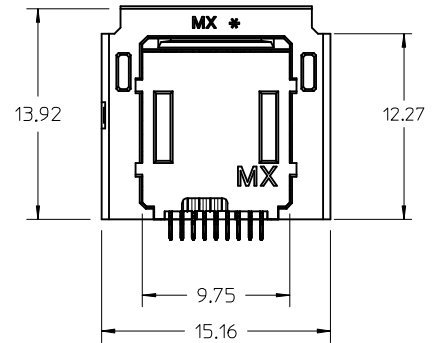
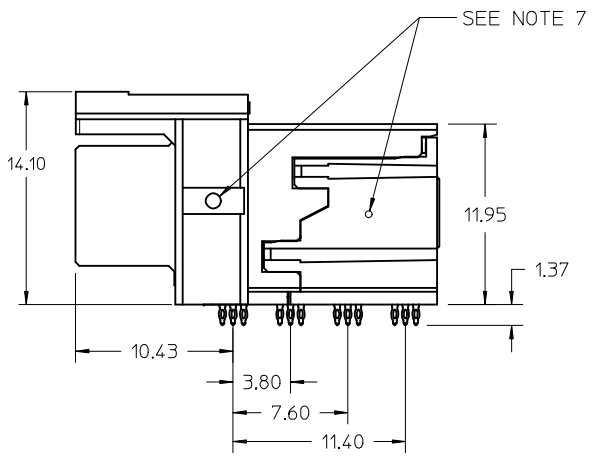
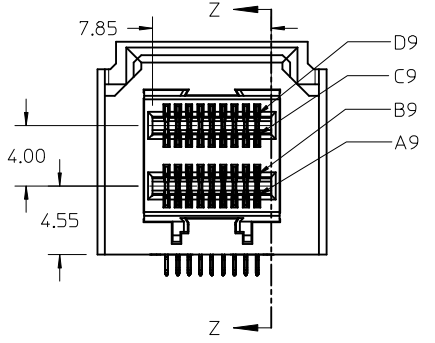
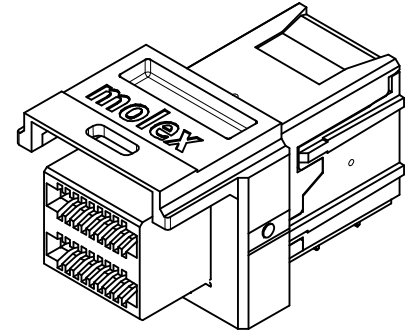
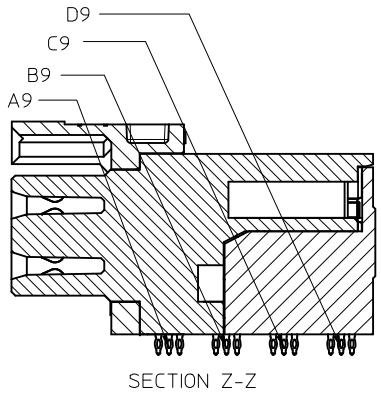


SEE NOTE 7

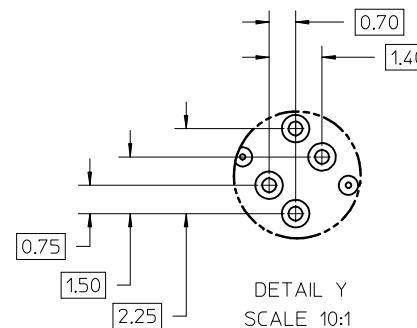
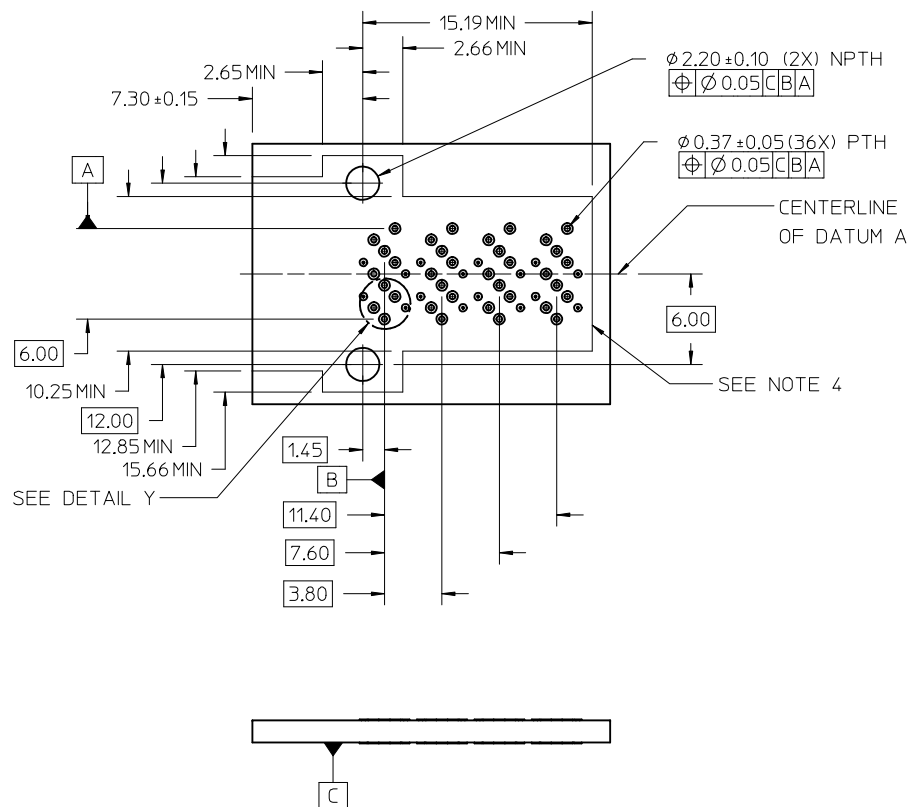


- NOTES:
- MATERIALS:
CONNECTOR HOUSING: HIGH TEMPERATURE THERMOPLASTIC
GLASS FILLED, UL 94V-0
TERMINALS: COPPER ALLOY
 - FINISHES:
CONTACT AREA: 0.76µM MIN GOLD OVER 2.54µM MIN NICKEL
TAIL AREA:
OPTION 1: 0.76µM-1.52µM TIN/LEAD (90/10) OVER 2.54µM MIN NICKEL
OPTION 2: 0.76µM-1.52µM TIN (LEAD FREE) OVER 2.54µM MIN NICKEL
 - PRODUCT SPECIFICATION: PS-76867-001
 - PACKAGING SPECIFICATION: PK-76867-001
 - MATES WITH: MOLEX CABLE SERIES 100171, 100189, 100190 & 100191
 - MOUNTING HARDWARE NOT SUPPLIED, REFER TO APPLICATION SPECIFICATION AS-76867-001
 - APPROXIMATE MOLDING GATE LOCATION
 - PLUG MODULE PCB LAYOUT REFER TO SD-76866-9900

PLATING OPT.	MATERIAL NO.
OPTION 1	76867-0001
OPTION 2	76867-0011

REV'D GATE LOCATION IEC NO: UCP2015-4516 DRWN: TMCLELL 2015/04/28 CHKD: TMCLELLAND 2015/04/28 APPR: TMCLELL 2015/04/28	QUALITY SYMBOLS 	GENERAL TOLERANCES (UNLESS SPECIFIED) <table border="1"> <thead> <tr> <th></th> <th>mm</th> <th>INCH</th> </tr> </thead> <tbody> <tr> <td>4 PLACES</td> <td>± .13</td> <td>± .005</td> </tr> <tr> <td>3 PLACES</td> <td>± .13</td> <td>± .005</td> </tr> <tr> <td>2 PLACES</td> <td>± 0.13</td> <td>± .010</td> </tr> <tr> <td>1 PLACE</td> <td>± 0.25</td> <td>± .010</td> </tr> <tr> <td>0 PLACE</td> <td>±</td> <td>±</td> </tr> </tbody> </table>		mm	INCH	4 PLACES	± .13	± .005	3 PLACES	± .13	± .005	2 PLACES	± 0.13	± .010	1 PLACE	± 0.25	± .010	0 PLACE	±	±	DIMENSION STYLE MM ONLY DRAWN BY DATE KLANG 2009/05/15 CHECKED BY DATE TMCLELLAND 2012/10/15 APPROVED BY DATE MBANAKIS 2010/11/17	SCALE 4:1 DESIGN UNITS METRIC 	TITLE IPASS PLUS HD 1X1 ASSEMBLY INTERNAL 	MATERIAL NO. SEE CHART DOCUMENT NO. SD-76867-001	SHEET NO. 1 OF 3
		mm	INCH																						
	4 PLACES	± .13	± .005																						
	3 PLACES	± .13	± .005																						
2 PLACES	± 0.13	± .010																							
1 PLACE	± 0.25	± .010																							
0 PLACE	±	±																							
DRAFT WHERE APPLICABLE MUST REMAIN WITHIN DIMENSIONS	ANGULAR ±1/2°	THIS DRAWING CONTAINS INFORMATION THAT IS PROPRIETARY TO MOLEX INCORPORATED AND SHOULD NOT BE USED WITHOUT WRITTEN PERMISSION																							
B10	REV	SIZE 																							
DOCUMENT NO. SD-76867-001																									

RECOMMENDED FOOTPRINT

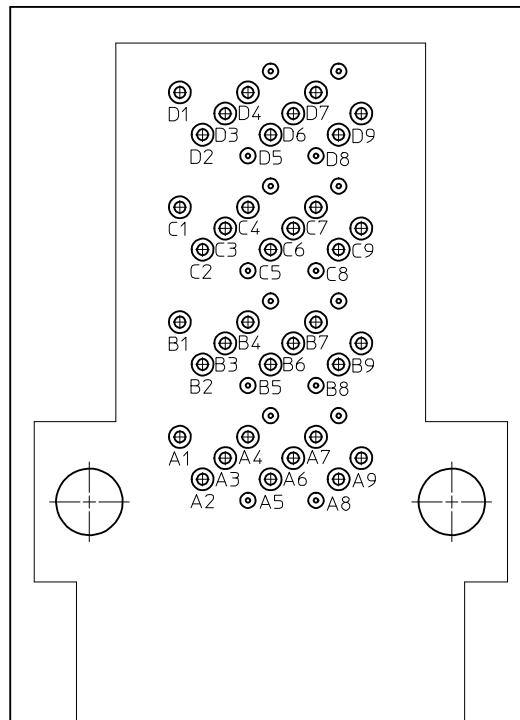


NOTES:

1. RECOMMENDED DRILL SIZE AND ANNULAR RING FOR A 0.37 ϕ FINISHED PTH - REFER TO APPLICATION SPECIFICATION AS-76867-001
2. MINIMUM RECOMMENDED SPACING: 14.00MM
3. MINIMUM PCB THICKNESS: 1.57MM
4. CONNECTOR KEEP OUT AREA

SEE SHEET 1 EC NO: UCP2015-4516 DRWN: TMCCLELL 2015/04/28 CHKD: TMCCLELL AND 2015/04/28 APPR: TMCCLELL 2015/04/28	QUALITY SYMBOLS ▽=0 ▽=0 ▽=0	GENERAL TOLERANCES (UNLESS SPECIFIED)		DIMENSION STYLE MM ONLY		SCALE 4:1	DESIGN UNITS METRIC	THIRD ANGLE PROJECTION		
		4 PLACES ± --- ± ---	mm	INCH	DRAWN BY KLANG	DATE 2009/05/15	IPASS PLUS HD 1X1 ASSEMBLY INTERNAL molex			
		3 PLACES ± --- ± .005			CHECKED BY TMCCLELLAND	DATE 2012/10/15				
		2 PLACES ± 0.13 ± .010			APPROVED BY MBANAKIS	DATE 2010/11/17	DOCUMENT NO. SD-76867-001	SHEET NO. 2 OF 3		
1 PLACE ± 0.25 ± ---			DRAFT WHERE APPLICABLE MUST REMAIN WITHIN DIMENSIONS		SIZE C	THIS DRAWING CONTAINS INFORMATION THAT IS PROPRIETARY TO MOLEX INCORPORATED AND SHOULD NOT BE USED WITHOUT WRITTEN PERMISSION				
0 PLACE ± ±			ANGULAR ±1/2°							

FOOTPRINT CIRCUIT IDENTIFICATION



SEE SHEET 1 EC NO: UCP2015-4516 DRWN: TMCCLELL 2015/04/28 CHKD: TMCCLELL AND 2015/04/28 APPR: TMCCLELL 2015/04/28	QUALITY SYMBOLS	GENERAL TOLERANCES (UNLESS SPECIFIED)		DIMENSION STYLE	SCALE	DESIGN UNITS	THIRD ANGLE PROJECTION
	▽=0	mm	INCH	MM ONLY	8:1	METRIC	☉
	▽=0	4 PLACES ± ---	± ---	DRAWN BY	DATE	TITLE	
	▽=0	3 PLACES ± ---	± .005	KLANG	2009/05/15	IPASS PLUS HD 1X1 ASSEMBLY INTERNAL	
	▽=0	2 PLACES ± 0.13	± .010	CHECKED BY	DATE	molex	
REV	DESCRIPTION	1 PLACE ± 0.25	± ---	TMCCLELLAND	2012/10/15	DOCUMENT NO.	SHEET NO.
B10		0 PLACE ±	±	APPROVED BY	DATE	SD-76867-001	3 OF 3
		ANGULAR ±1/2°		MBANAKIS	2010/11/17		
		DRAFT WHERE APPLICABLE MUST REMAIN WITHIN DIMENSIONS		MATERIAL NO.	SEE CHART		
				SIZE	THIS DRAWING CONTAINS INFORMATION THAT IS PROPRIETARY TO MOLEX INCORPORATED AND SHOULD NOT BE USED WITHOUT WRITTEN PERMISSION		