

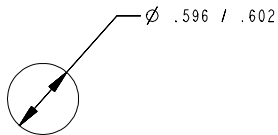
- NOTES:
 1. CUSTOMER: GRAYHILL STD.
 2. SWITCH HAS BUTT CONTACT SYSTEM.
 3. ACTION TYPE: MOMENTARY
 4. CIRCUITRY: SPST - N.O.

YYWW

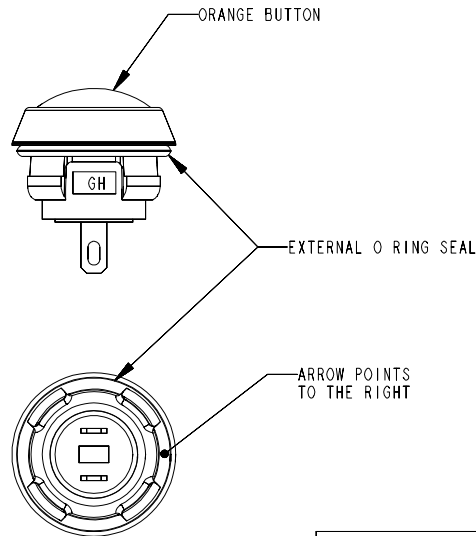
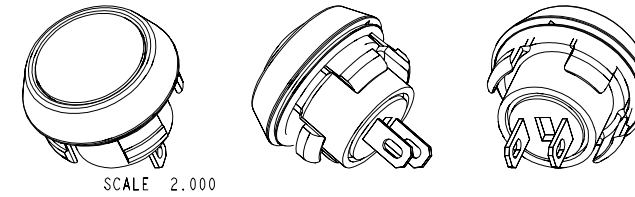
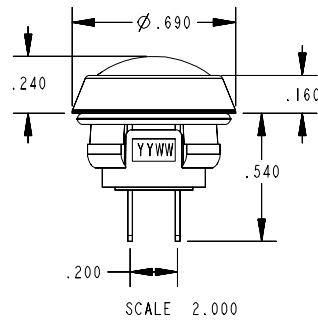
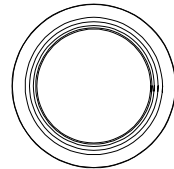
GH

LABEL DETAIL

SCALE: 5:1
 LABEL PART NUMBER: SSS1878-14
 DATE CODE & "GH" TO
 INDICATE MANUFACTURER'S NAME



PANEL THICKNESS WITH "O" RING: .098-.106
 PANEL THICKNESS WITHOUT "O" RING: .140-.144



ALL REVISIONS TO THIS DRAWING
 MUST BE MADE ON THE PROE SYSTEM

COMPONENT	MATERIAL
BUTTON	ORANGE NYLON - 45% GLASS FILLED
HOUSING	BLACK NYLON - 45% GLASS FILLED
TERMINAL	BRASS - GOLD OVER NICKEL PLATING
SHORTING BAR	BRASS - GOLD OVER NICKEL PLATING
BASE	NYLON - 45% GLASS FILLED
PLUNGER	NYLON - 45% GLASS FILLED
O-RING SEAL	SILICON - 70 DUROMETER
INTERNAL SEAL	SILICON RUBBER
COMPRESSION SPRING	TINNED MUSIC WIRE

	MECHANICAL RATINGS
TRAVEL	.090" NOMINAL
TRAVEL BEFORE MAKE	.035" NOMINAL
CYCLE LIFE	500,000 ELECTRICAL CYCLES
SHOCK	100 G'S / 6 MILLISECONDS
OPERATING TEMP.	-40° C TO +80° C
ACTUATION FORCE	14.5 OZ ± 3 OZ.

	ELECTRICAL RATINGS
RATING AT 24 VDC	150 MILLIAMPS
VOLTAGE BREAKDOWN	1,000 VOLTS
CONTACT RESISTANCE	25 mΩ MAX. (INITIAL)
INSULATION RESISTANCE	1000 MΩ

ISSUE	APP/DATE	DESCRIPTION
B	CWS/JOD 1-26-05	ADDED ARROW NOTE. ECN#355542 JTK 1-26-05
A	CWS/PR 6-9-04	ORIGINAL JTK ECN#352014 5-12-04

REVISIONS

Grayhill GRAYHILL, INC.
 561 HILLGROVE AVE.
 LA GRANGE, IL 60525
 PHONE (708) 354-1040

UNLESS OTHERWISE SPECIFIED TOLERANCES
 AND DIMENSIONS ARE IN INCHES
 LINEAR ± .025 DIAMETERS ± .010
 ANGULAR ± 1.0°
 LIMITS APPLY BEFORE FINISHING
 DO NOT SCALE THIS PRINT

CRITICAL CHARACTERISTIC FLAGS
 PER GRAYHILL SPEC.SOP2338

- △ -- CRITICAL CHARACTERISTIC FLAG
- -- Cpk REQUIRED
- ⊠ -- S.P.C. FLAG (CONTROL CHART
 REQ'D ON FEATURE SPECIFIED)

FINISH	---	APPROVED DATE	PR 6-9-04
MATERIAL	---	CHECKED DATE	CWS 6-9-04
NAME	PUSHBUTTON ASSEMBLY	DRAWN DATE	JTK 5-12-04
CAGE NO.	81073		30-104.DRW
B SIZE	DWG. NO. 30-104	ISSUE	B
SCALE	2:1	SHEET	1 OF 1