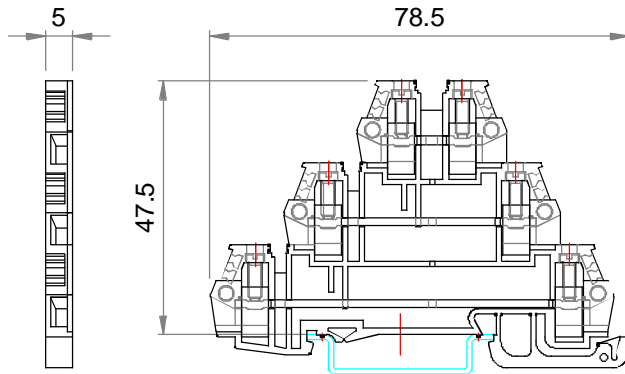


Part number description :

10134294-XXXLF

- ▶ LF: Lead Free, RoHs compliant, see note
- ▶ XXX : Color ref or/and version



Note : THIS PRODUCT MEETS EUROPEAN UNION DIRECTIVES AND OTHER COUNTRY REGULATIONS AS PER GS-47-0004

PN	Colour	Version
10134294-001LF	grey	
10134294-002LF	grey	Unipolar

TECHNICAL DATA / DIMENSIONS

Dimensions	
Width mm	5.0
Length mm	78.5
Height mm	47.5
Mounting type (EN 60715)	Omega TH35
Technical data	
Maximum load current	24A
Insulating material	PA
Self-extinguishing degree acc. to UL94	V0
Rated surge voltage	6kV
Pollution degree	3
Surge voltage category	III
Insulating material group	I
Nominal Voltage	250V
Nominal Current	24A
Connection data	
Conductor cross-section solid min/max	0.50 / 2.5 mm ²
Conductor cross-section stranded min/max	0.50 / 2.5 mm ²
AWG min/max	26-14AWG
Max conductor cross-section stranded with ferrule with plastic sleeve	2.5 mm ² / L=8 mm
Stripping length	max 6 mm
Screw	M2.5
Tightening torque	0,5Nm / 4.5 Lb-In

ACCESSORIES

Item	Description
Marking	
10134398-001LF	Blank single-digit marking tags
10134398-002LF+ 10134398-011LF	Printed single-digit marking tags numbered : 1÷0
10134398-012LF+ 10134398-041LF	Printed single-digit marking tags with letter: A÷Z
10134402-001LF	Blank Marking tags

DIN RAIL system - Mounting and Installation material

10134392-001LF	Steel Omega Rail TH35x7,5mm -2mt length
10134393-001LF	Slotted Steel Omega Rail TH35x7,5mm -2mt length
10134394-001LF	Steel Omega Rail TH35x15mm -2mt length
10134395-001LF	Slotted Steel Omega Rail TH35x15mm -2mt length
10134387-001LF	Angled support bracket
10134389-001LF	End Bracket for TH35 Omega rail -Width 9mm
10134390-001LF	End Bracket for TH35 Omega rail -Width 6mm
10134391-001LF	Fast-snap End Bracket for TH35 Omega rail

Additional items

10134297-001LF	End Plate for three-stage SCREW Terminal Block W2.5
10134414-001LF	Jumper bar 2 poles,pitch 5,1mm - JW2,5 - blue
10134414-002LF	Jumper bar 3 poles,pitch 5,1mm - JW2,5 - blue
10134414-003LF	Jumper bar 12 poles,pitch 5,1mm - JW2,5 - blue
10134414-004LF	Jumper bar 2 poles,pitch 5,1mm - JW2,5 - red
10134414-005LF	Jumper bar 3 poles,pitch 5,1mm - JW2,5 - red
10134414-006LF	Jumper bar 12 poles,pitch 5,1mm - JW2,5 - red
10134271-005FL	Ratchet Cutting Tool for jumper bar JW2.5-blue/red

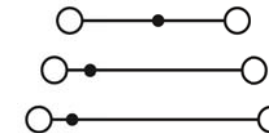
APPROVALS



AWG 26-12 - 300V - 10A



EN60947-7-1 2.5mm² - 250V - 24A



spec ref	dir Aymeric Soudy 19-06-2015	projection	size A3	scale 1:1
tolerance std ISO 406 ISO 1101	eng Aymeric Soudy 19-06-2015			ecn no
TOLERANCES UNLESS OTHERWISE SPECIFIED				
surface ISO 1302	linear 0.X ± 0.3 0.XX ± 0.1 0.XXX ± 0.05	appr Aymeric Soudy 19-06-2015		
angular 0° ± 2°	title Three stage SCREW Terminal blok W2.5			rev A
www.fcj.com cat. no.		Product customer drawing		sheet 1 of 1