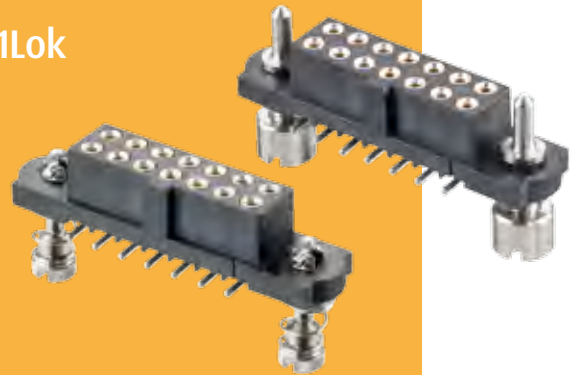


Datamate J-Tek Connectors

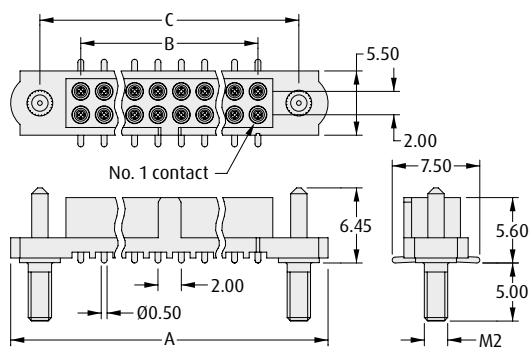
Female Vertical Surface Mount Guide Pin, 101Lok

- Guide pin style includes board mount fixing, and mates with Datamate J-Tek male connectors with compatible jackscrews.
- 101Lok fixing gives secure, fast and simple mating; no special tooling required. Just a simple 101-degree turn is required to fix the connectors together.
- 101Lok style mates with Datamate J-Tek male connectors with compatible 101Lok fixings.

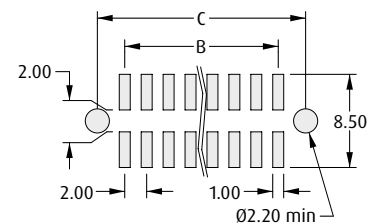
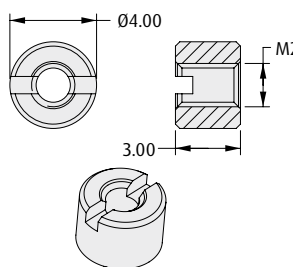


DATAMATE J-TEK

GUIDE PIN JACKSCREWS



Board Mount Nut, 2 per connector

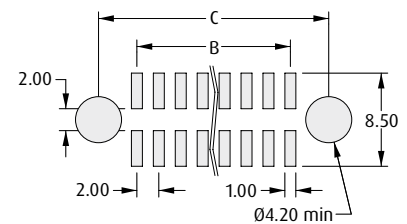
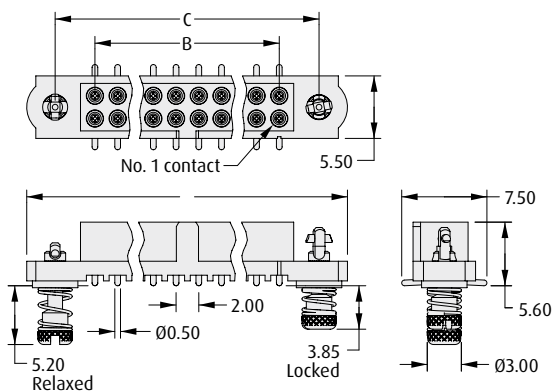


Recommended PC Board Pattern

CALCULATION

A	B + 12
B	Total no. of contacts - 2
C	B + 7

101LOK



Recommended PC Board Pattern

HOW TO ORDER

M80 - 4S1 XX XX FX

SERIES CODE

TOTAL NO. OF CONTACTS

04, 06, 08, 10, 12, 14, 20, 26, 34, 42, 50

JACKSCREW

F3	Guide Pin
FC	101Lok

FINISH

05	Gold
42	Gold + Tin

All dimensions in mm.