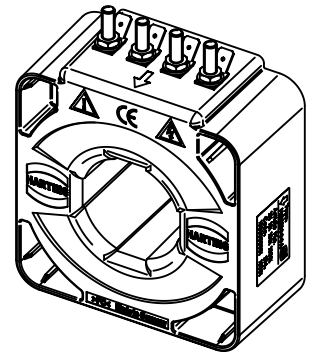
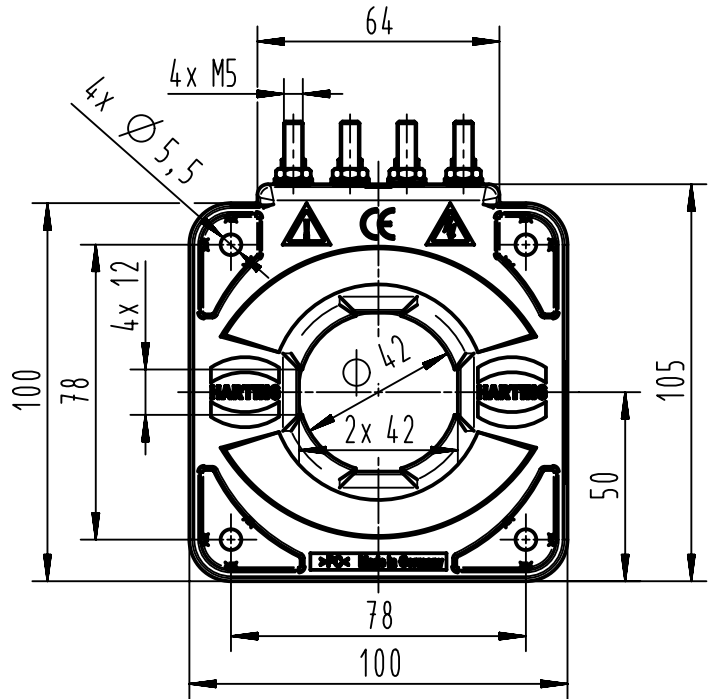


4 x Faston:
6,3 x 0,8

Hall-Element
Position



4x locknut M5 unmounted included

	All rights reserved		Created by GRUBES		Inspected by HORSTMANNJ		Standardisation TIEMANNA		Date 2013-02-15		State Old Release	
	Department EL PD - DE		Title CURRENT SENSOR 1000A RAILW. (SCREW TERM)		Doc-Key / ECM-Nr. 1005114.93/UGD/001/B 500000059099		Type TB		Number 20 31 100 9101		Rev. B Page 1/1	