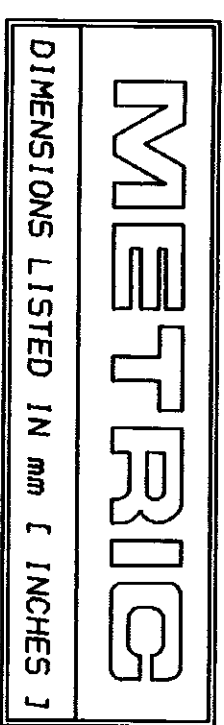


THIS DRAWING IS UNPUBLISHED. RELEASED FOR PUBLICATION BY AMP INCORPORATED. ALL INTERNATIONAL RIGHTS RESERVED. 19

AMP PART NO	MATERIAL	PKG TYPE	QTY
8-36958-3	M/F 8-36958-0	BOX	25
8-36958-5	M/F 8-36958-0	BAG	5

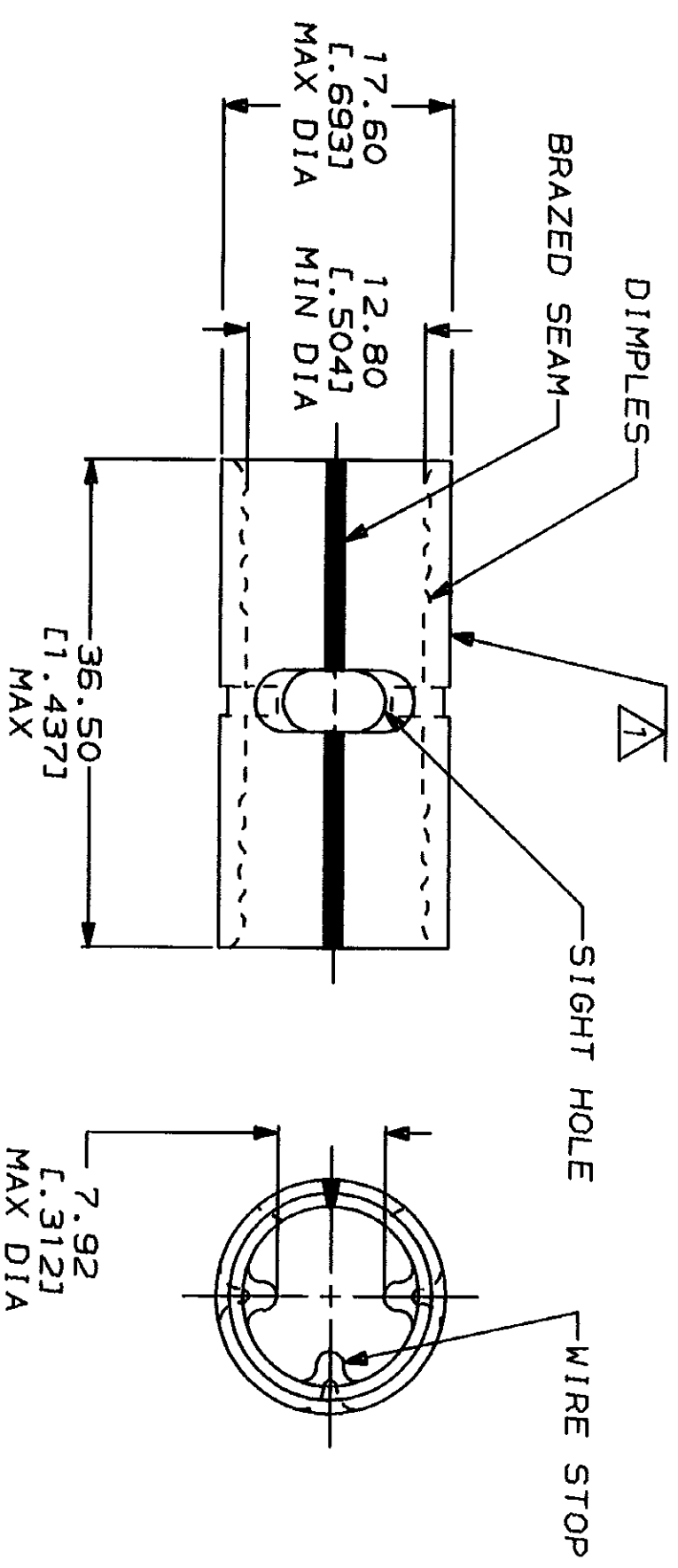
LOC	DIST	P	F	ZONE	LTR	DESCRIPTION	DATE	APPD
6	14				C	REVISED & REDRAWN PER 0720-0037-93	5/24/99	5 PER



AMP WIRE RANGE	UL E13288 Listed
2/0 AWG SOLID OR STRANDED	2/0 AWG SOLID OR STRANDED

2/0 AWG SOLID OR STRANDED	LR7189 Certified MILITARY P/N AND CLASS
	NOT APPLICABLE

1 STAMP AMP 2/0W* APPROX AS SHOWN
2 MATERIAL THK: 2.03±0.08 [0.080 ±.003]



AMP INCORPORATED
CUSTOMER SERVICE SYSTEMS

FOR ADDITIONAL PRODUCT INFORMATION OR COPIES OF DRAWINGS AND TECHNICAL DOCUMENTS
1-800-522-6752
PRODUCT INFORMATION CENTER

FOR APPLICATION TOOLING INFORMATION
1-800-722-1111
TOOLING ASSISTANCE CENTER

MAX RECOMMENDED OPERATING TEMPERATURE: 170°C MAX
VOLTAGE RATING: NOT APPLICABLE
CIRCULAR MIL AREA: 60.6-76.3mm² [119,500-150,500] CIR MILS
SOLID OR STRANDED

FOR ORDER ENTRY
1-800-526-5142

DO NOT SCALE PRINT. DIMENSIONS ON THIS DRAWING ARE IN MILLIMETERS UNLESS SPECIFIED OTHERWISE. TOLERANCES ON: 2 PLC DEC ± 0.20 (0.008) ANGLES ± 0.5°
MATERIAL: COPPER PER ASTM B-152 ANNEALED
FINISH: TIN PLATE 0.00254 (0.000100) MIN THK PER MIL-T-10727

DR	S/R/SS	OR	1/27/93
CHK	DK SOR/SH	CHK	1/27/94
APPD	RD HEIH	APPD	1/27/94
APPD	RE ROBER	APPD	1/27/94
APPD	J. MEXLEY	APPD	1/27/94

AMP	AMP Incorporated Harrisburg, PA 17105-3608
NAME	SPLICE, BUTT, SOLISTRAND™
SIZE	00779
CASE CODE	00779
DRAWING NO	00779
SCALE	2:1
SHEET	1 OF 1