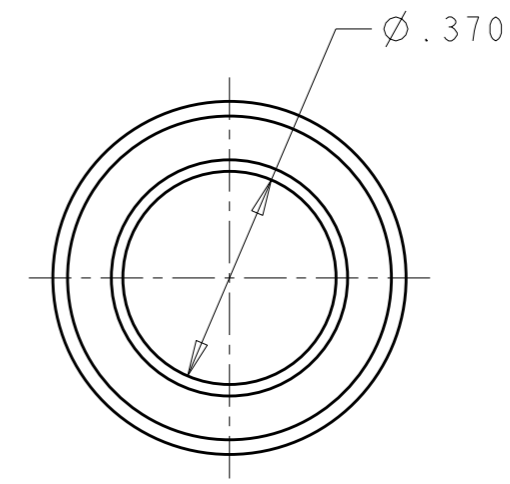
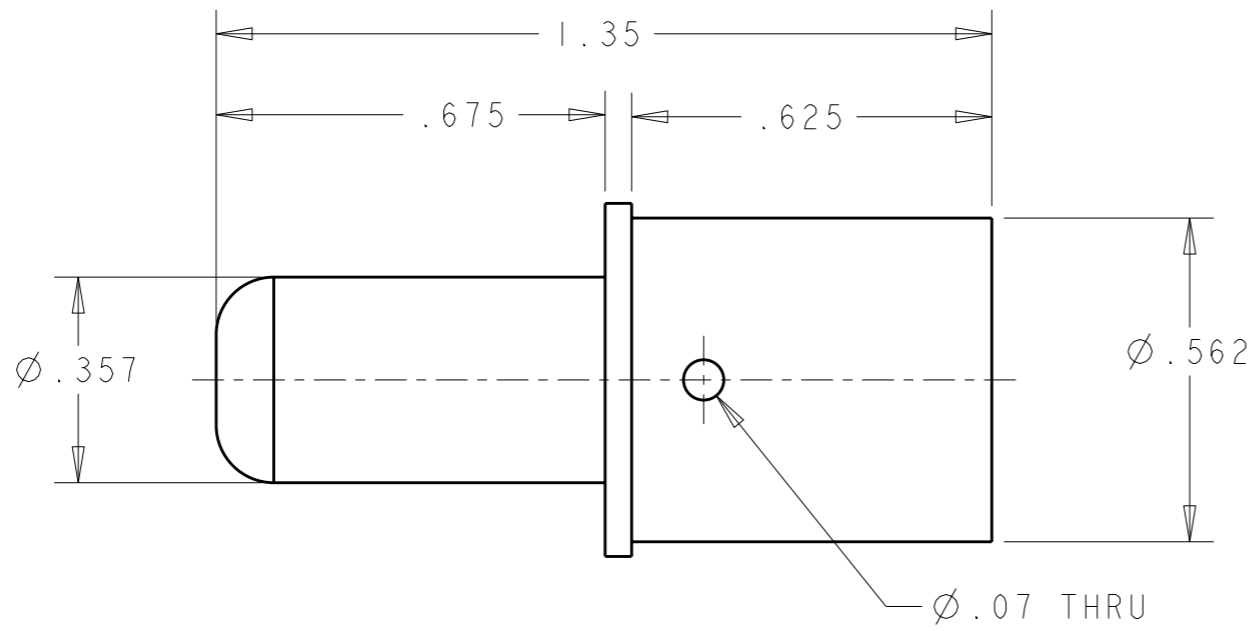


THIS DRAWING IS UNPUBLISHED. RELEASED FOR PUBLICATION 20  
 © COPYRIGHT 20 BY TYCO ELECTRONICS CORPORATION. ALL RIGHTS RESERVED.

LOC	DIST	REVISIONS			
P	LTR	DESCRIPTION	DATE	DWN	APVD
GP	00	A	NEW RELEASE	05FEB2008	RG DO



1. PART NUMBER CHANGES AND OR DESIGN CHANGES AFFECTING THE INTERCHANGEABILITY REQUIRE PRIOR TYCO ELECTRONICS APPROVAL AND AUTHORIZATION BY REVISION TO THIS DRAWING.

2 MATERIAL;  
COPPER ALLOY

3 FINISH:  
SLVER PLATE .000200 MIN THK. OVER NICKEL  
.000050 MIN. THK.

4. ITEMS PROVIDED TO THIS SPECIFICATION TO BE PERMANENTLY IDENTIFIED ON THE CONTAINER WITH THE FOLLOWING IDENTIFIER:

TYCO ELECTRONICS P/N: XXXXXXXX-X  
 DATE CODE (e.g. 0216): YEAR 1 WEEK 1  
 XXXX

AS SHOWN	1926764-1
DESCRIPTION	PART NUMBER

<small>THIS DRAWING IS A CONTROLLED DOCUMENT FOR TYCO ELECTRONICS CORPORATION IT IS SUBJECT TO CHANGE AND THE CONTROLLING ENGINEERING ORGANIZATION SHOULD BE CONTACTED FOR THE LATEST REVISION.</small>		DWN 05FEB2008 R. GRZYBOWSKI CHK 05FEB2008 D. ORRIS APVD 05FEB2008 S. FLICKINGER		Tyco Electronics Harrisburg, PA 17105-3608	
DIMENSIONS: INCHES 		TOLERANCES UNLESS OTHERWISE SPECIFIED: 0 PLC ±- 1 PLC ±- 2 PLC ±.02 3 PLC ±.010 4 PLC ±- ANGLES ±3		NAME PIN CONTACT, SIZE No.0 SIZE No. 2 AWG, CRIMP REMOVABLE .56 FRONT EXT., DRAWER	
MATERIAL - 2		FINISH - 3		PRODUCT SPEC - APPLICATION SPEC - WEIGHT -	
ELCON DRAWER		CUSTOMER DRAWING		SIZE A3 CAGE CODE 00779 DRAWING NO C-1926764 RESTRICTED TO -	
AMP 1470-19 REV 31MAR2000		SCALE 3:1		SHEET 1 OF 1 REV A	