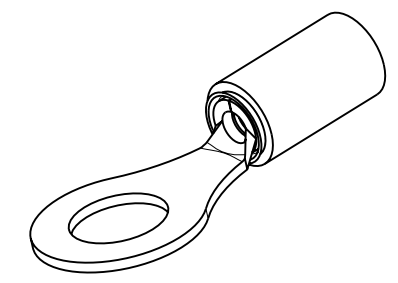
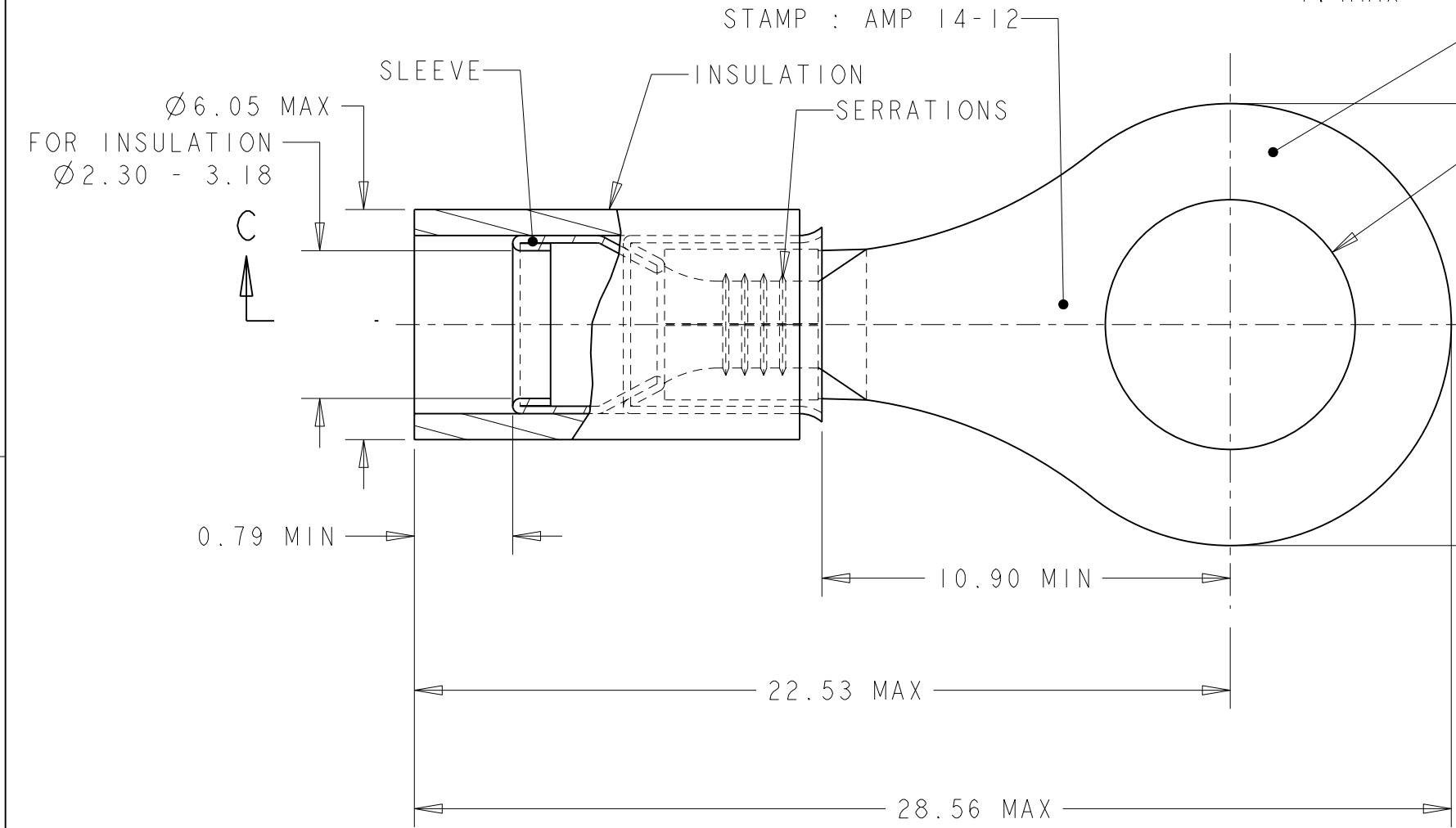
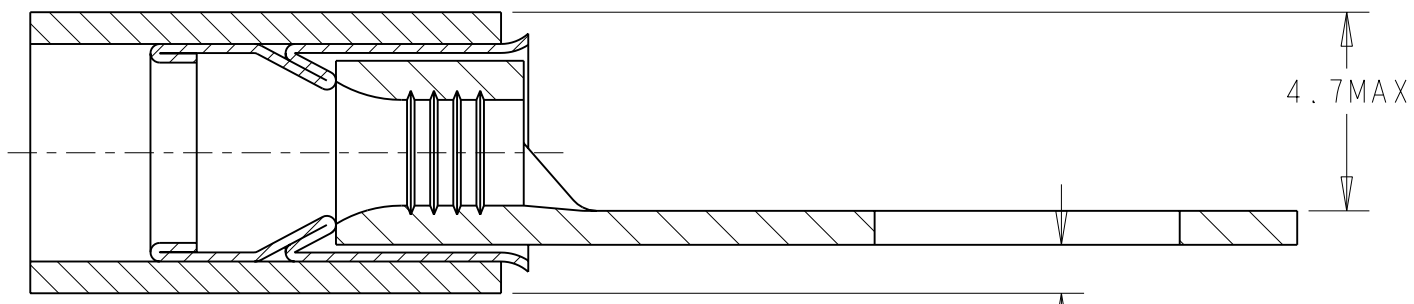


THIS DRAWING IS UNPUBLISHED. RELEASED FOR PUBLICATION 20
 © COPYRIGHT 20 BY TYCO ELECTRONICS CORPORATION. ALL RIGHTS RESERVED.

LOC	DIST	REVISIONS			
P	LTR	DESCRIPTION	DATE	DWN	APVD
F	00	B	09JUN2006	JJD	YP
		C	29OCT2007	JT	GR

COUPE C-C



SCALE 2:1

WIRE TERMINAL	1577641-1	BODY : COPPER ANNEALED FINISH : NICKEL PLATED
		SLEEVE : COPPER ANNEALED FINISH : NICKEL PLATED
		INSULATION : PEEK COLOR : BEIGE
DESCRIPTION	PART NUMBER	MATERIAL & FINISH

<small>THIS DRAWING IS A CONTROLLED DOCUMENT FOR TYCO ELECTRONICS CORPORATION IT IS SUBJECT TO CHANGE AND THE CONTROLLING ENGINEERING ORGANIZATION SHOULD BE CONTACTED FOR THE LATEST REVISION.</small>		DWN JJ. DESPRETZ 22FEB2006 CHK G. ROBERT 22FEB2006 APVD Y. PETRONIN 22FEB2006		tyco Electronics Tyco Electronics France SAS 95300 Pontoise, France	
DIMENSIONS: mm 		TOLERANCES UNLESS OTHERWISE SPECIFIED: 0 PLC ±- 1 PLC ±0.3 2 PLC ±- 3 PLC ±- 4 PLC ±- ANGLES ±5 FINISH SEE TABLE		NAME: TERMINAL, PEEK PIDG STRATO, 14-12 AWG PRODUCT SPEC: 108-15356 APPLICATION SPEC: 114-15102 WEIGHT: 1,54 gr	
MATERIAL SEE TABLE		FINISH SEE TABLE		SIZE: A3 CAGE CODE: 00779 DRAWING NO: 1577641 RESTRICTED TO: - SCALE: 6:1 SHEET: 1 OF 1 REV: C	