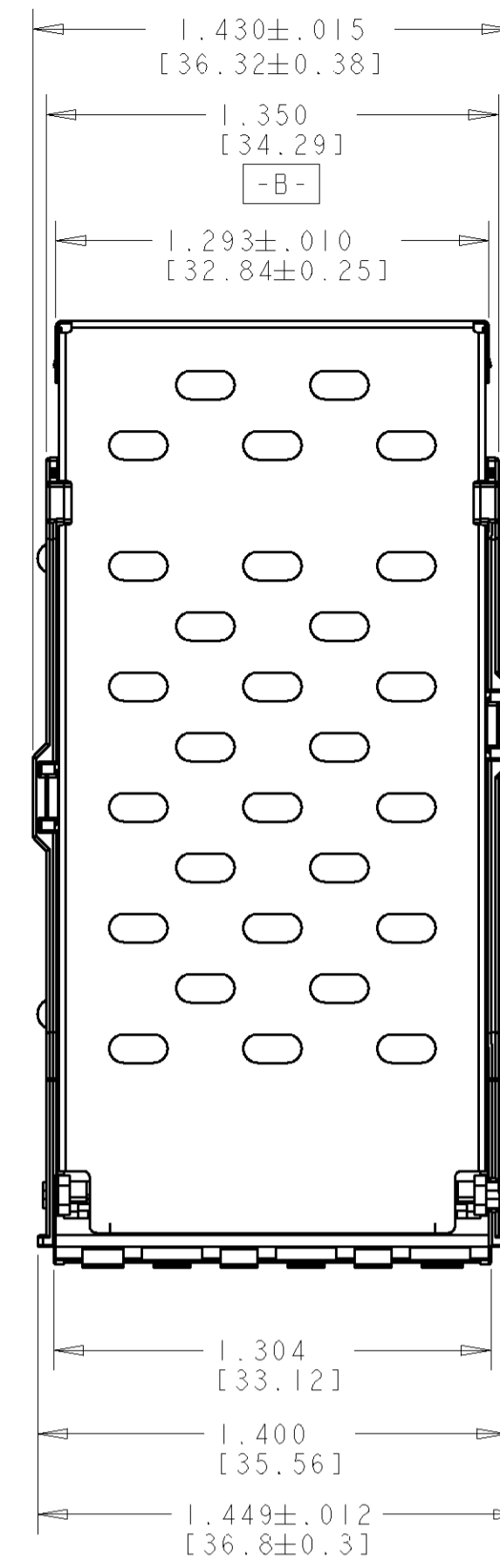
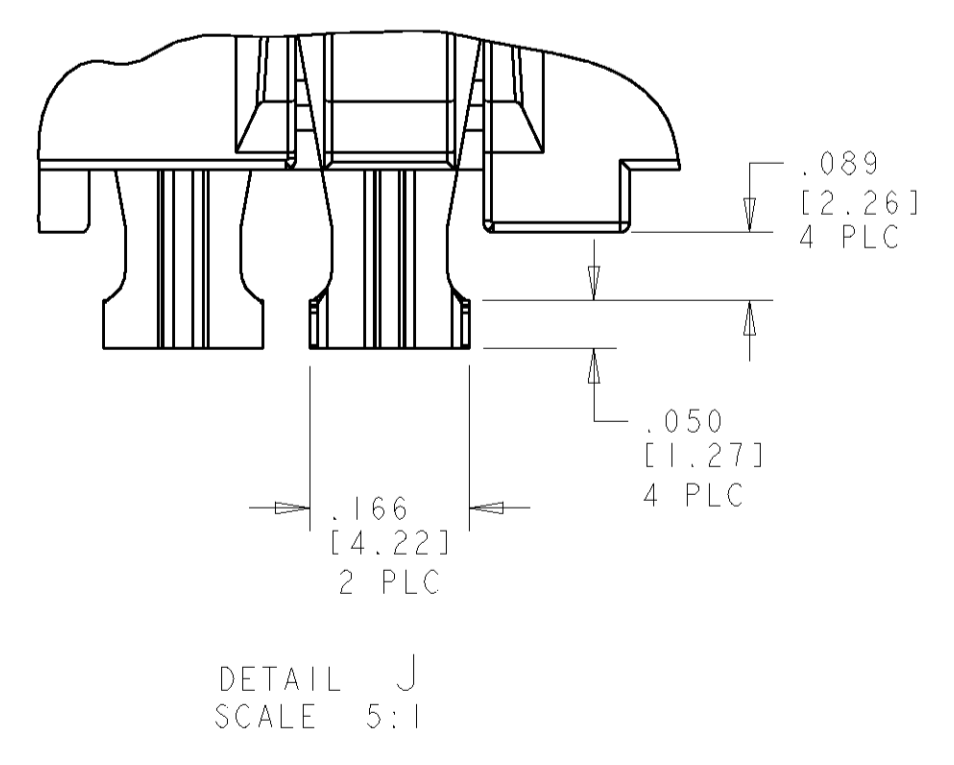
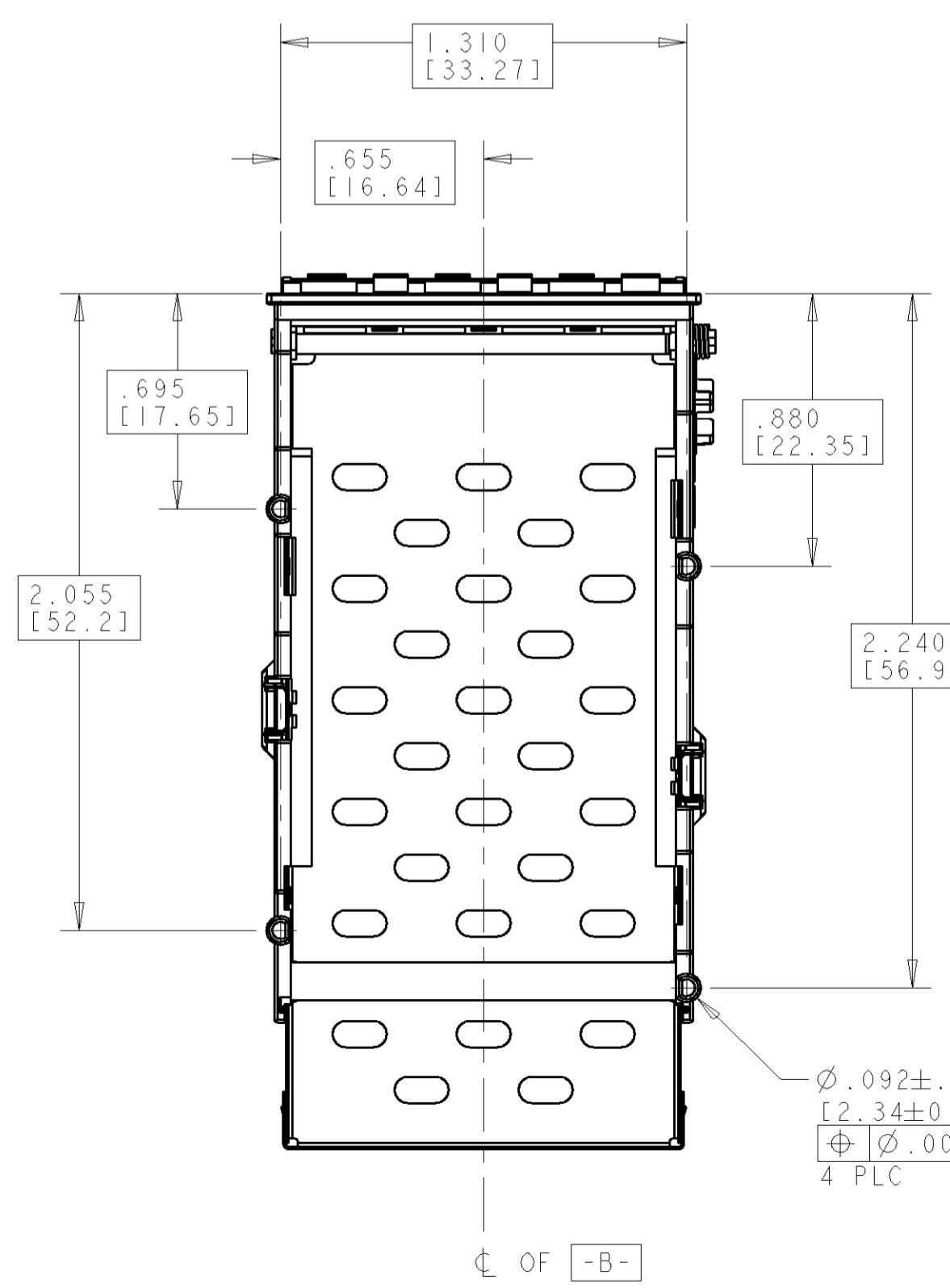
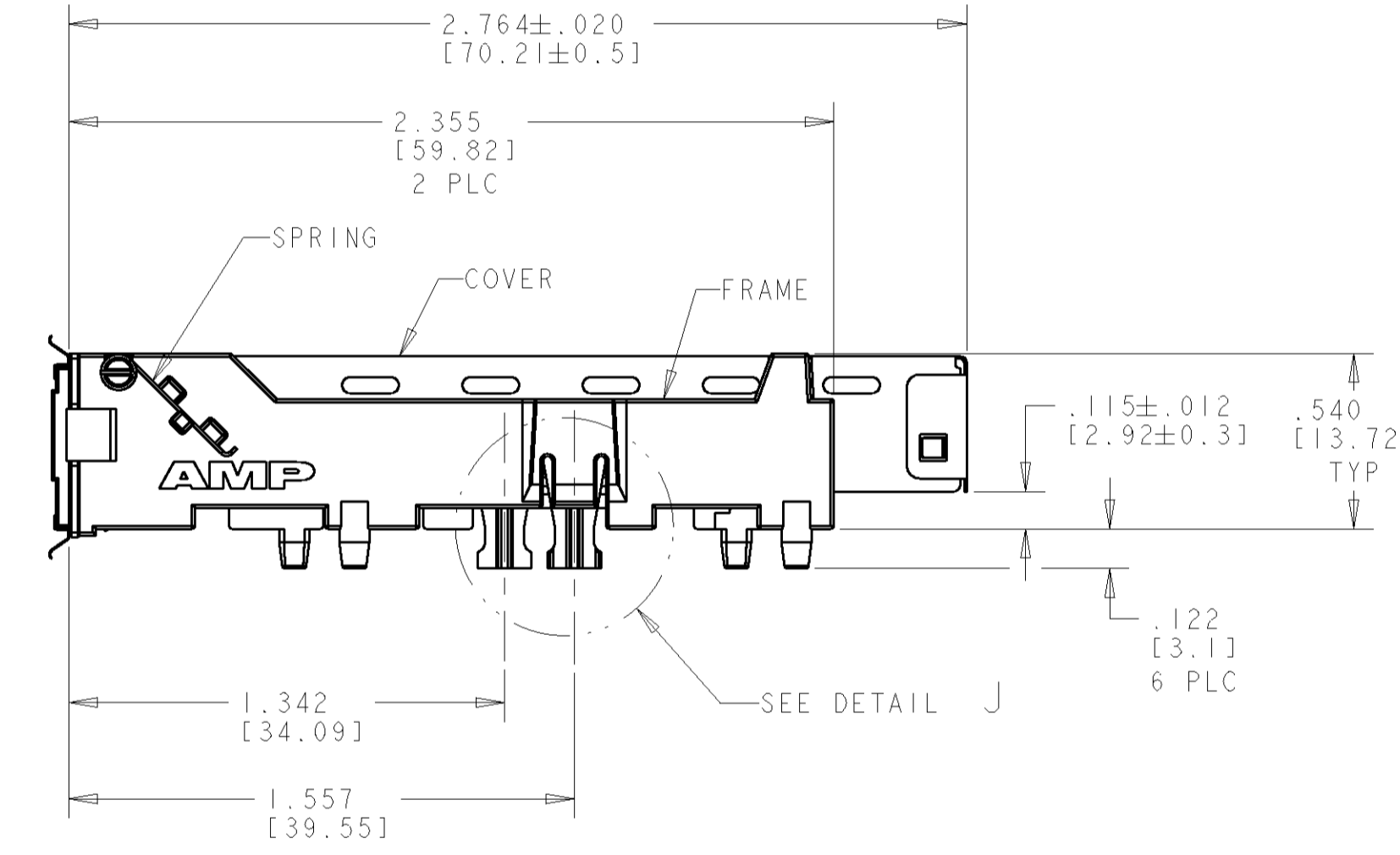
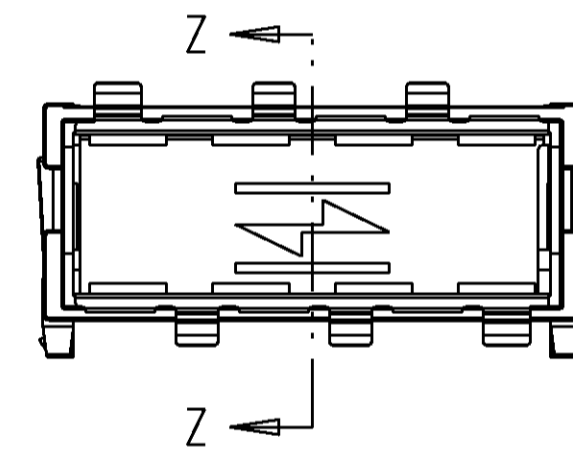
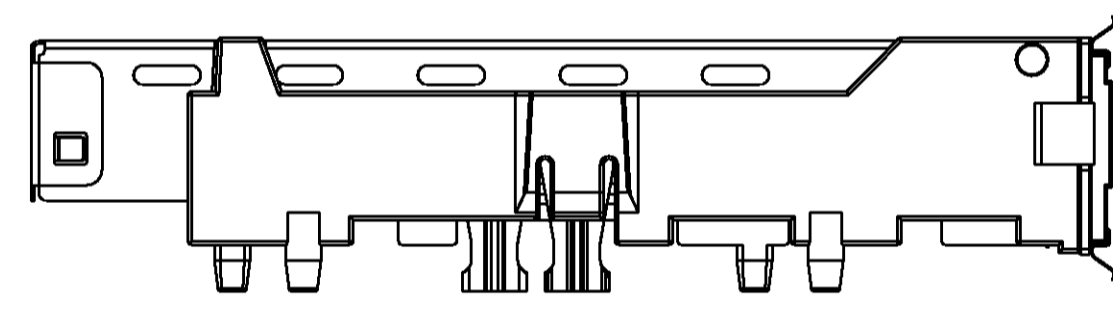


LOC		DIST		REVISIONS			
P	LTR	DESCRIPTION	DATE	DWN	APVD		
A		RELEASED	11JULY05	BM	SS		



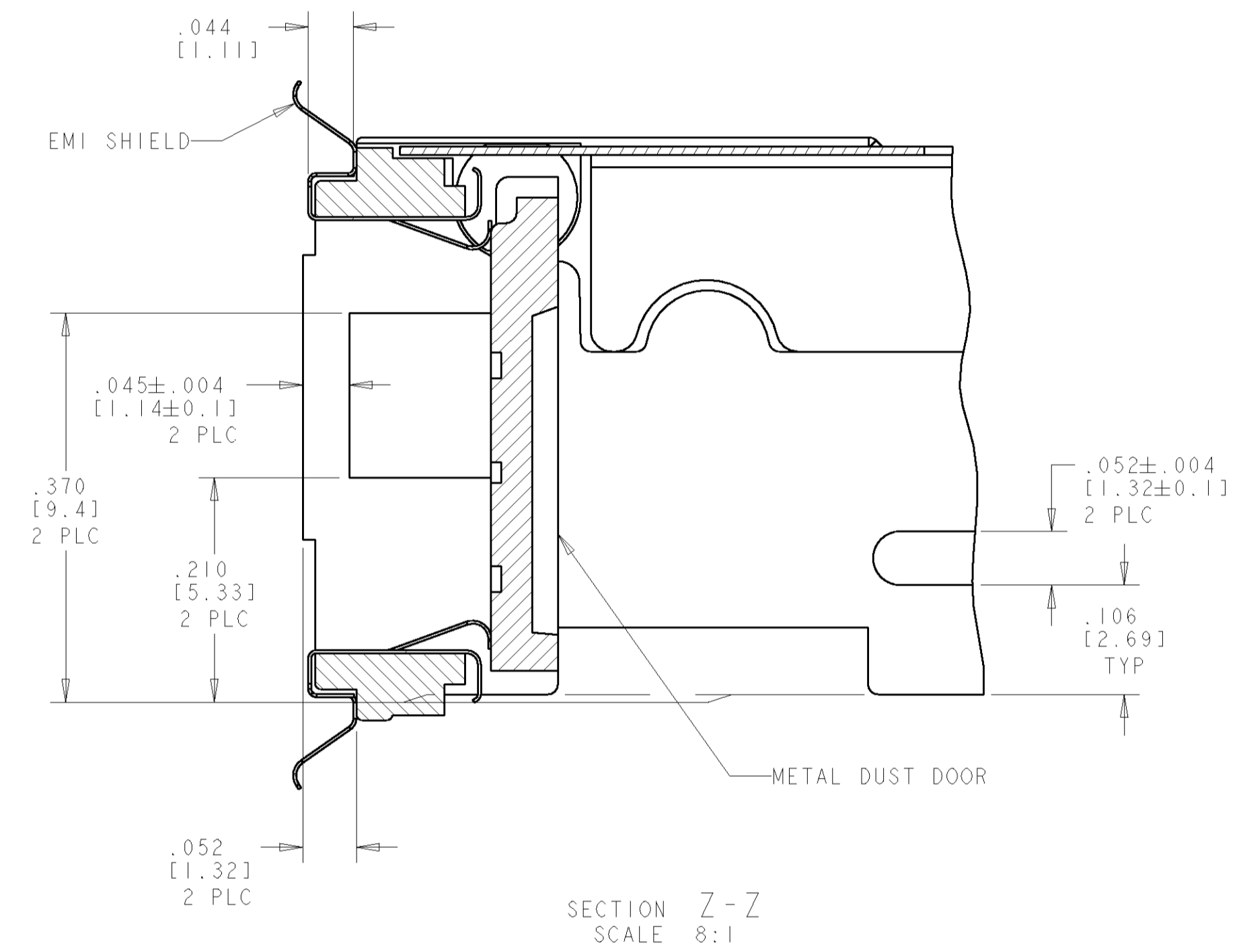
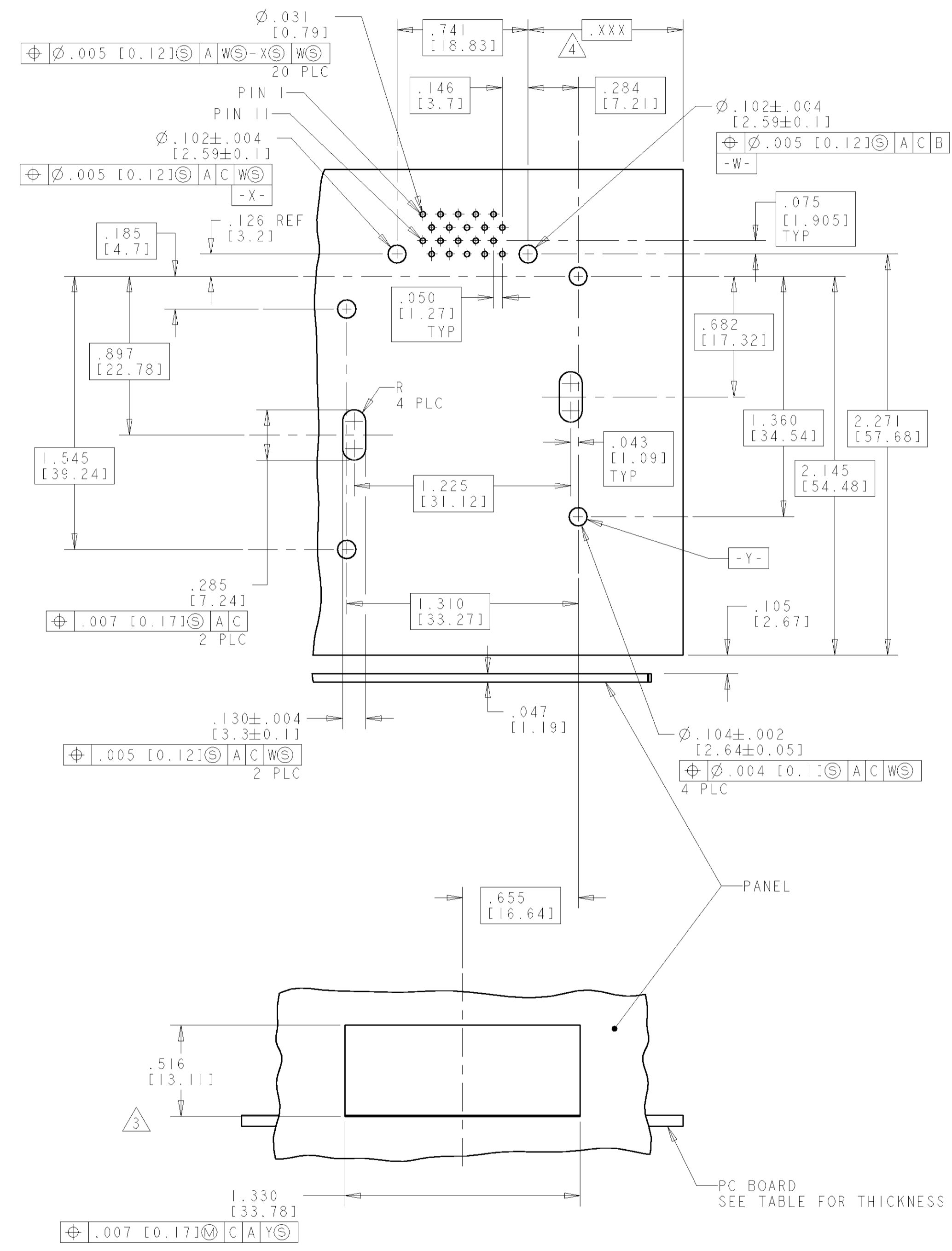
- 1 DUST DOOR: ZINC ALLOY.  
 FRAME: ZINC ALLOY.  
 EMI SHIELD: PHOSPHOR BRONZE.  
 COVER: PHOSPHOR BRONZE.  
 SPRING: STAINLESS STEEL.
- 2 DUST DOOR: .00010[0.00254] MIN NICKEL OVER .000200[0.00508] MIN COPPER.  
 EMI SHIELDS: .000050[0.00127] MIN NICKEL.  
 FRAME: .000150[0.00381] MIN TIN OVER .000100[0.00254] MIN NICKEL  
 OVER .000200[0.00508] MIN COPPER.  
 COVER: .000016[0.00040] MIN PRE-PLATED TIN.
- 3 LOWER EDGE OF PANEL OPENING IS .006±.003[0.15±0.08] BELOW TOP OF PCB.
- 4 THIS DIMENSION ESTABLISHED BY CUSTOMER.



.080±.006[2.03±0.15]	6658106-2
CUSTOMER PCB THICKNESS	PART NUMBER
AMP Incorporated Harrisburg, PA 17105-3608	
NAME: GUIDE ASSEMBLY, DIE-CAST, LONG COVER, MEDIA CONVERTER MODULE, CHAMP BLINDMATE	
SIZE: A	RESTRICTED TO
CAGE CODE: 00779	DRAWING NO: C-6658106
WEIGHT: -	SCALE: 2:1
CUSTOMER DRAWING	SHEET 1 OF 2
	REV A

DIMENSIONS: INCHES[mm]	TOLERANCES UNLESS OTHERWISE SPECIFIED:
0 PLC ±	1 PLC ±
2 PLC ±	3 PLC ±
4 PLC ±	ANGLES ±
MATERIAL	FINISH

LOC	DIST	REVISIONS			
P	LTR	DESCRIPTION	DATE	DNW	APVD
A		SEE SHEET 1	-	-	-



RECOMMENDED FOOTPRINT AND PANEL CUTOUT

<small>THIS DRAWING IS UNPUBLISHED. RELEASED FOR PUBLICATION BY TICO ELECTRONICS CORPORATION. ALL RIGHTS RESERVED.</small>		DWN B. MCMASTER 11 JULY 05 ENR S. SHUEY 11 JULY 05 APVD S. SHUEY 11 JULY 05	<b>tyco</b> Electronics AMP Incorporated Harrisburg, PA 17105-3608
DIMENSIONS: INCHES (mm)	TOLERANCES UNLESS OTHERWISE SPECIFIED: 0 PLC ± 1 PLC ± 2 PLC ± 3 PLC ±.005(0.13) 4 PLC ± ANGLES ±	NAME PRODUCT SPEC APPLICATION SPEC	SIZE CAGE CODE DRAWING NO. RESTRICTED TO
MATERIAL	FINISH	WEIGHT	SCALE 2:1 SHEET 2 OF 2 REV A
CUSTOMER DRAWING		A100779C=6658106	