

4

3

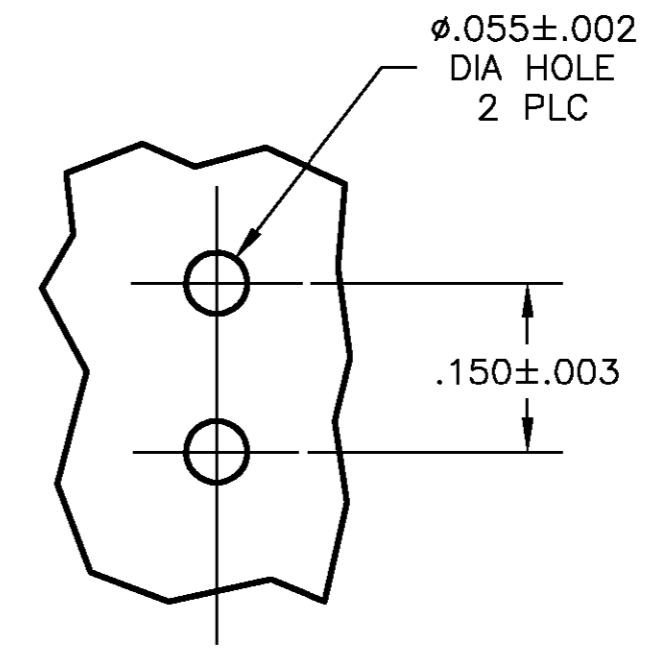
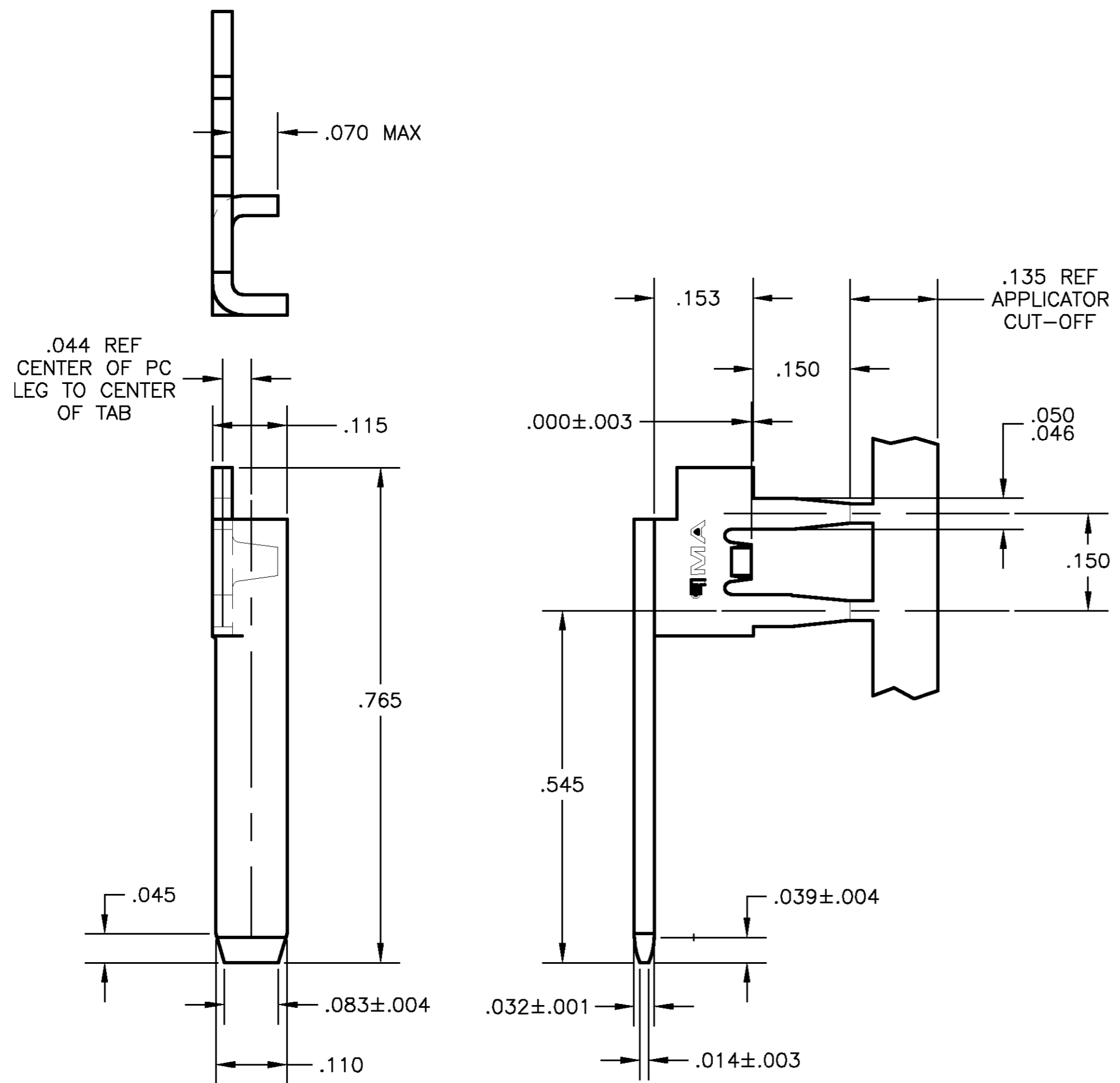
2

1

THIS DRAWING IS UNPUBLISHED. RELEASED FOR PUBLICATION
 © COPYRIGHT BY TYCO ELECTRONICS CORPORATION. ALL RIGHTS RESERVED.

LOC	DIST	REVISIONS			
P	LTR	DESCRIPTION	DATE	DWN	APVD
AF	50	H	REDRAWN PER OG3A-0251-01	06APR01	JR ND

1 CONTINUOUS STRIP ON REELS.
 .000100-.000200 TIN OVER
 .000100 MIN NICKEL.



P.C. BOARD HOLES

1217089-1
 PART NO.

THIS DRAWING IS A CONTROLLED DOCUMENT.		DWR JR RUTH 06APR01	Tyco Electronics Corporation Harrisburg, PA. 17057	
DIMENSIONS: INCHES		CHK MS FEHER 06APR01	NAME TAB, SPECIAL FOR P.C. BOARD	
TOLERANCES UNLESS OTHERWISE SPECIFIED:		APVD N DEIBERT 06APR01	PRODUCT SPEC APPLICATION SPEC	
0 PLC ± - 1 PLC ± - 2 PLC ± - 3 PLC ± .010 4 PLC ± - ANGLES ± -		MATERIAL 082 BRASS	FINISH - Δ	RESTRICTED TO -
MATERIAL 082 BRASS		WEIGHT -	SIZE A2	CAGE CODE 00779
CUSTOMER DRAWING		DRAWING NO 1217089		SCALE 6:1
		SHEET 1 OF 1		REV H

1217089