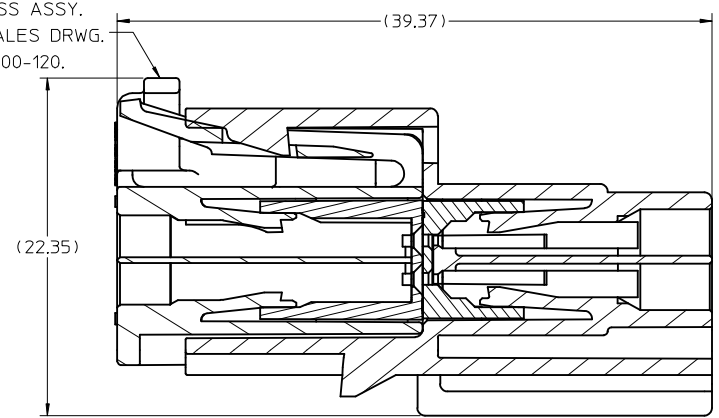


**20 CIRCUIT MALE INLINE
HARNESS ASSEMBLY SHOWN.**

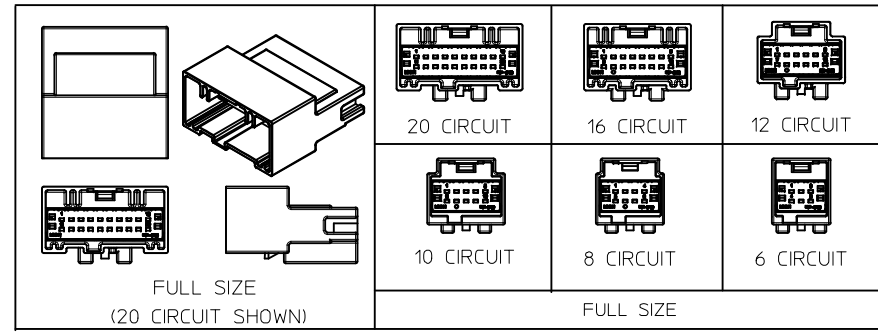
- NOTES:
1. MATERIAL: HOUSING: SPS GLASS FILLED, COLOR SEE CHART. TPA: PBT, COLOR RED
 2. PACKAGING SPECIFICATION: DRAWINGS BULK ----- PK-30907-760 PARTITION --- PK-31302-105
 3. PACKAGING: REFERENCE MOLEX SPECIFICATION PS-34646-001. AVAILABLE AT WWW.MOLEX.COM (REFERENCE: TPA'S THAT ARE FOUND IN SEATED (FINAL LOCK) POSITION.
 4. MATES WITH: SEE SALES DRAWING SD-30700-120
 5. CONNECTOR IS DESIGNED FOR USE WITH TYCO TERMINAL PART NUMBERS: 1-1419158-6(22-24 AWG) AND 2-1419158-5 (18-20 AWG).
 6. APPLICATION SPECIFICATION SEE: AS-30700-000
 7. PRODUCT SPECIFICATION SEE: PS-30968-0001

| | | | | | | | | | |
|---|-----------------------------------|--|----------------------|-----------------------------------|------------------------|---|--------------------|---|--|
| EC NO: UAU2016-0461 DRWN: KHEWITT 2015/09/04 CHKD: APPR: RBAUJMAN 2015/10/05 L3 | QUALITY SYMBOLS ▼ - 0 ∇ - 0 | GENERAL TOLERANCES (UNLESS SPECIFIED) | | SCALE 2:1 | DESIGN UNITS METRIC | THIRD ANGLE PROJECTION | REVISE ON CAD ONLY | | |
| | | 4 PLACES ± --- ± --- | 3 PLACES ± --- ± --- | DIMENSION STYLE MM ONLY | | TITLE SLEEVE ASSEMBLY WIRE CONNECTOR MALE | | | |
| | | 2 PLACES ± 0.13 ± --- | 1 PLACE ± 0.25 ± --- | ANGULAR ± 1/2° | | DRAWN BY JKSIK DATE 99/09/03 | MOLEX INCORPORATED | | |
| | | DRAFT WHERE APPLICABLE MUST REMAIN WITHIN DIMENSIONS | | APPROVED BY BWILSON DATE 99/10/28 | MATERIAL NO. SEE CHART | DOCUMENT NO. SD-30968-120 | SHEET NO. 1 OF 2 | THIS DRAWING CONTAINS INFORMATION THAT IS PROPRIETARY TO MOLEX INCORPORATED AND SHOULD NOT BE USED WITHOUT WRITTEN PERMISSION | |

HARNES ASSY.
SEE SALES DRWG.
SD-30700-120.



SECTION B-B
MATED VIEW



| PACKAGING | | POLARIZATION OPTIONS & CIRCUIT SIZE | | PRODUCT DIMENSIONS | | | | | | | | HOUSING COLOR | STATUS |
|-------------------------------|--------------------------|---|--------------|--------------------|-------|-------|-------------------|-------|-------|-----------------|--------------|---------------|--------|
| ASSEMBLY P/N PARTITION PACKED | ASSEMBLY P/N BULK PACKED | MALE INLINE HARNESS ASSEMBLY (POLARIZATION OPTIONS) | CIRCUIT SIZE | 'A' | 'B' | 'C' | 'D' | 'E' | 'F' | | | | |
| | 30968-1060 | POLARIZATION OPTION #1 | 6 | 3.76 | 13.51 | 15.61 | 19.78 | 17.58 | 10.37 | GRAY | RELEASED | | |
| | 30968-1061 | POLARIZATION OPTION #2 | 6 | 6.76 | 13.51 | 15.61 | 19.78 | 17.58 | 10.37 | BLACK | RELEASED | | |
| | 30968-1062 | POLARIZATION OPTION #3 | 6 | 9.76 | 13.51 | 15.61 | 19.78 | 17.58 | 10.37 | NATURAL (CREAM) | NOT RELEASED | | |
| | 30968-1080 | POLARIZATION OPTION #1 | 8 | 5.03 | 16.05 | 18.05 | 19.78 | 17.58 | 10.38 | GRAY | RELEASED | | |
| | 30968-1081 | POLARIZATION OPTION #2 | 8 | 8.03 | 16.05 | 18.05 | 19.78 | 17.58 | 10.38 | BLACK | RELEASED | | |
| | 30968-1082 | POLARIZATION OPTION #3 | 8 | 11.03 | 16.05 | 18.05 | 19.78 | 17.58 | 10.38 | NATURAL (CREAM) | RELEASED | | |
| 30968-9100 | 30968-1100 | POLARIZATION OPTION #1 | 10 | 6.30 | 18.59 | 20.69 | 19.78 | 17.58 | 10.37 | GRAY | RELEASED | | |
| 30968-9101 | 30968-1101 | POLARIZATION OPTION #2 | 10 | 9.30 | 18.59 | 20.69 | 19.78 | 17.58 | 10.37 | BLACK | RELEASED | | |
| | 30968-1102 | POLARIZATION OPTION #3 | 10 | 12.30 | 18.59 | 20.69 | 19.78 | 17.58 | 10.37 | NATURAL (CREAM) | NOT RELEASED | | |
| | 30968-1123* | POLARIZATION OPTION #1 W/ CHRISTMAS TREE ATTACHMENT | 12 | 7.57 | 21.28 | 23.23 | 20.34 | 17.64 | 10.34 | GRAY | RELEASED | | |
| | 30968-1127 | POLARIZATION OPTION #1 | 12 | 7.57 | 21.28 | 23.23 | 20.34 | 17.64 | 10.34 | GRAY | RELEASED | | |
| | 30968-1126* | POLARIZATION OPTION #2 W/ CHRISTMAS TREE ATTACHMENT | 12 | 10.57 | 21.28 | 23.23 | 20.34 | 17.64 | 10.34 | BLACK | RELEASED | | |
| | 30968-1128 | POLARIZATION OPTION #2 | 12 | 10.57 | 21.28 | 23.23 | 20.34 | 17.64 | 10.34 | BLACK | RELEASED | | |
| | 30968-1129 | POLARIZATION OPTION #3 | 12 | 13.57 | 21.28 | 23.23 | 20.34 | 17.64 | 10.34 | NATURAL (CREAM) | RELEASED | | |
| | 30968-1167 | POLARIZATION OPTION #1 | 16 | 10.11 | 26.36 | 28.31 | 20.34 +0.13 -0.20 | 17.64 | 10.34 | GRAY | RELEASED | | |
| | 30968-1164* | POLARIZATION OPTION #1 W/ CHRISTMAS TREE ATTACHMENT | 16 | 10.11 | 26.06 | 28.31 | 20.34 +0.13 -0.20 | 17.64 | 10.34 | GRAY | RELEASED | | |
| | 30968-1168 | POLARIZATION OPTION #2 | 16 | 13.11 | 26.36 | 28.31 | 20.34 +0.13 -0.20 | 17.64 | 10.34 | BLACK | RELEASED | | |
| | 30968-1169 | POLARIZATION OPTION #3 | 16 | 16.11 | 26.36 | 28.31 | 20.34 +0.13 -0.20 | 17.64 | 10.34 | NATURAL (CREAM) | RELEASED | | |
| | 30968-1207 | POLARIZATION OPTION #1 | 20 | 12.65 | 31.44 | 33.39 | 20.34 | 17.64 | 10.34 | GRAY | RELEASED | | |
| | 30968-1208 | POLARIZATION OPTION #2 | 20 | 15.65 | 31.44 | 33.39 | 20.34 | 17.64 | 10.34 | BLACK | RELEASED | | |
| | 30968-1209 | POLARIZATION OPTION #3 | 20 | 18.65 | 31.44 | 33.39 | 20.34 | 17.64 | 10.34 | NATURAL (CREAM) | RELEASED | | |

*MOLEX INTERNAL CHRISTMAS TREE P/N 88794-1188

| | | | | | |
|--|-----------------|--|----------|--------------|--|
| SEE ECN# UAU2001-0258 EC NO: UAU2016-0461 DRWN: KEWITT 2015/09/04 CHKD: APPR: RBAUJMAN 2015/10/05 REV | QUALITY SYMBOLS | GENERAL TOLERANCES (UNLESS SPECIFIED) DIMENSION STYLE 4 PLACES ± --- ± --- 3 PLACES ± --- ± --- 2 PLACES ± 0.13 ± --- 1 PLACE ± 0.25 ± --- ANGULAR ± 1/2° DRAFT WHERE APPLICABLE MUST REMAIN WITHIN DIMENSIONS | SCALE | DESIGN UNITS | THIRD ANGLE PROJECTION REVISIONS TITLE SLEEVE ASSEMBLY WIRE CONNECTOR MALE MOLEX MOLEX INCORPORATED APPROVED BY DATE MATERIAL NO. DOCUMENT NO. SHEET NO. BWILSON 99/10/28 SEE CHART SD-30968-120 2 OF 2 THIS DRAWING CONTAINS INFORMATION THAT IS PROPRIETARY TO MOLEX INCORPORATED AND SHOULD NOT BE USED WITHOUT WRITTEN PERMISSION |
| | DESCRIPTION | | MM ONLY | METRIC | |
| | REV | | DATE | DATE | |
| | L3 | | 99/09/03 | 99/10/28 | |