

4

3

2

1

THIS DRAWING IS UNPUBLISHED.

RELEASED FOR PUBLICATION

© COPYRIGHT 2013 BY TE CONNECTIVITY.

ALL RIGHTS RESERVED.

LOC

DIST

REVISIONS

DW

—

P

LTR

DESCRIPTION

DATE

DWN

APVD

C

OBSOLETE PARTS

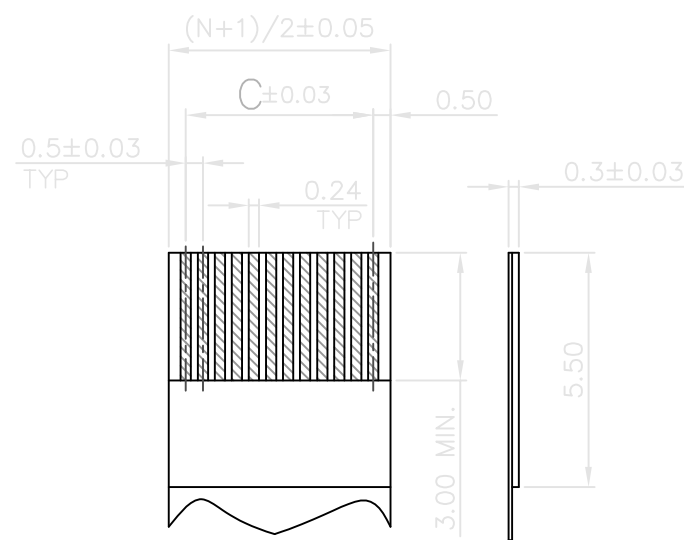
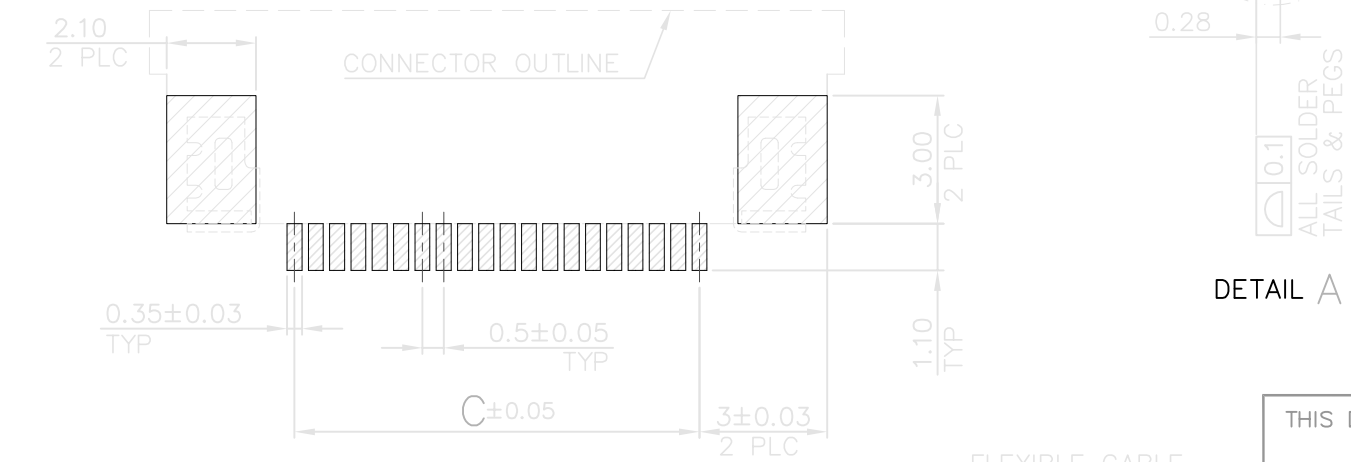
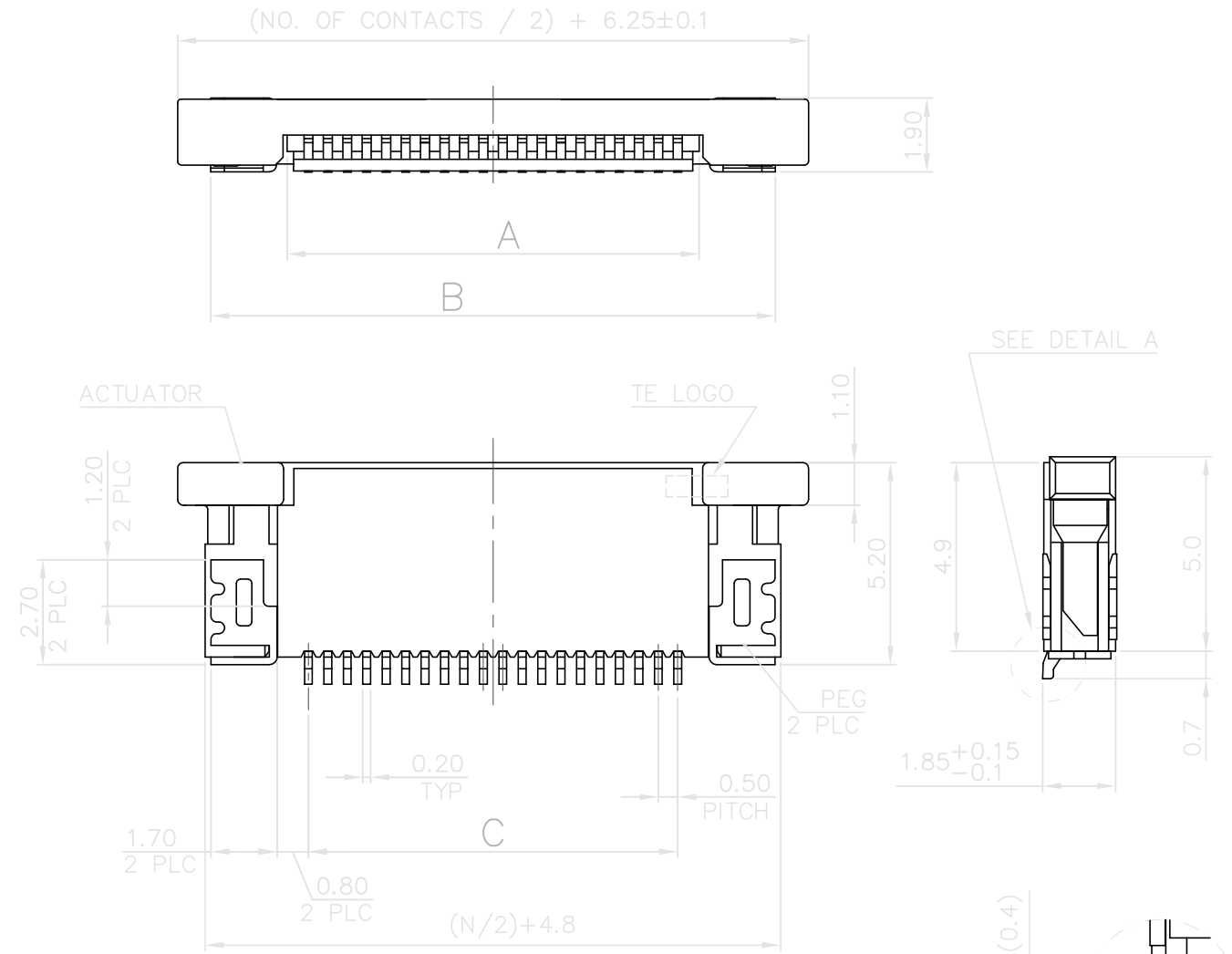
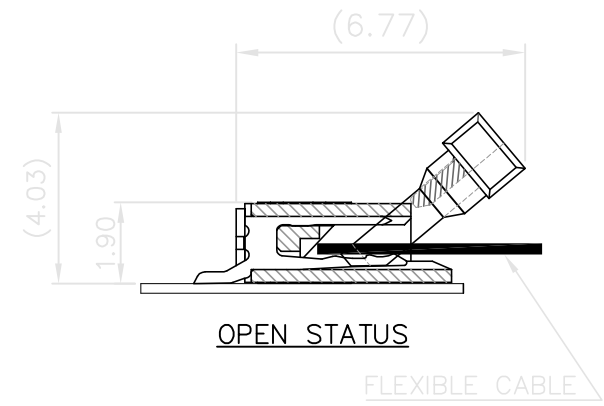
18FEB16

HX

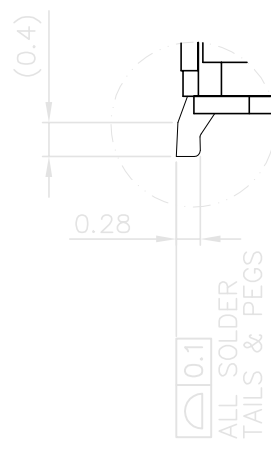
WH

NOTES:

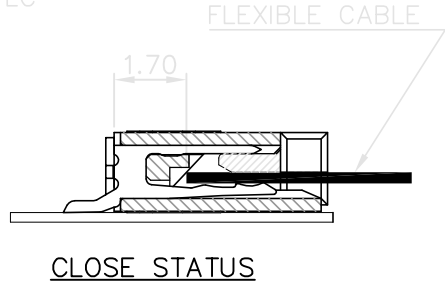
- 1. MATERIAL:  
HOUSING: PA6T, 30% GF, UL94 V-0, NATURAL COLOR.  
ACTUATOR: PPS, 40% GF, UL94 V-0, BLACK COLOR.  
CONTACTS: PHOSPHOR BRONZE.  
PEGS: BRASS.
- 2. FINISH:  
CONTACTS: GOLD FLASH ON CONTACT AREA, GOLD FLASH ON SOLDER TAIL, 1.27µm [50µ" ] MIN. NICKEL UNDERPLATED ON ENTIRE CONTACT.  
PEGS: 2.54µm [100µ" ] MIN. MATTE-TIN OVER 1.27µm [50µ" ] MIN. NICKEL.
- 3. REFLOW SOLDER CAPABLE TO 260°C PER TEC-109-201, CONDITION B.
- 4. SUBSTANCE RESTRICTIONS FOR LOW HALOGEN (BY WEIGHT):
  - BROMINE (Br) ≤ 900 PPM (0.09%)
  - CHLORINE (Cl) ≤ 900 PPM (0.09%)
  - TOTAL (Cl) + (Br) ≤ 1500 PPM (0.15%)



RECOMMENDED FPC/FFC LAYOUT (N = NO. OF CONTACTS)



DETAIL A



OBSOLETE	26.0	31.01	27.10	53	5-1775627-3
OBSOLETE	24.5	29.51	25.60	50	5-1775627-0
OBSOLETE	23.5	28.51	24.60	48	4-1775627-8
OBSOLETE	22.5	27.51	23.60	46	4-1775627-6
OBSOLETE	22.0	27.01	23.10	45	4-1775627-5
OBSOLETE	19.5	24.51	20.60	40	4-1775627-0
OBSOLETE	18.0	23.01	19.10	37	3-1775627-7
OBSOLETE	17.5	22.51	18.60	36	3-1775627-6
OBSOLETE	17.0	22.01	18.10	35	3-1775627-5
OBSOLETE	16.5	21.51	17.60	34	3-1775627-4
OBSOLETE	14.5	19.51	15.60	30	3-1775627-0
OBSOLETE	13.5	18.51	14.60	28	2-1775627-8
OBSOLETE	13.0	18.01	14.10	27	2-1775627-7
OBSOLETE	12.5	17.51	13.60	26	2-1775627-6
OBSOLETE	12.0	17.01	13.10	25	2-1775627-5
OBSOLETE	11.5	16.51	12.60	24	2-1775627-4
OBSOLETE	10.5	15.51	11.60	22	2-1775627-2
OBSOLETE	8.5	13.51	9.60	18	1-1775627-8
OBSOLETE	7.0	12.01	8.10	15	1-1775627-5
OBSOLETE	6.5	11.51	7.60	14	1-1775627-4
OBSOLETE	6.0	11.01	7.10	13	1-1775627-3
OBSOLETE	5.5	10.51	6.60	12	1-1775627-2
OBSOLETE	4.5	9.51	5.60	10	1-1775627-0
OBSOLETE	4.0	9.01	5.10	09	1775627-9
OBSOLETE	3.5	8.51	4.60	08	1775627-8
OBSOLETE	2.5	7.51	3.60	06	1775627-6
OBSOLETE	2.0	7.01	3.10	05	1775627-5

C	B	A	NO. OF CONTACTS	PART NO.
---	---	---	-----------------	----------

THIS DRAWING IS A CONTROLLED DOCUMENT.

DWN A. WU 16JUL2007

CHK S. HOU 16JUL2007

APVD W.J. KE 16JUL2007

PRODUCT SPEC 108-57364

APPLICATION SPEC

NAME

TE Connectivity

FPC CONNECTOR, 0.5 PITCH, ZIF, BOTTOM CONTACT

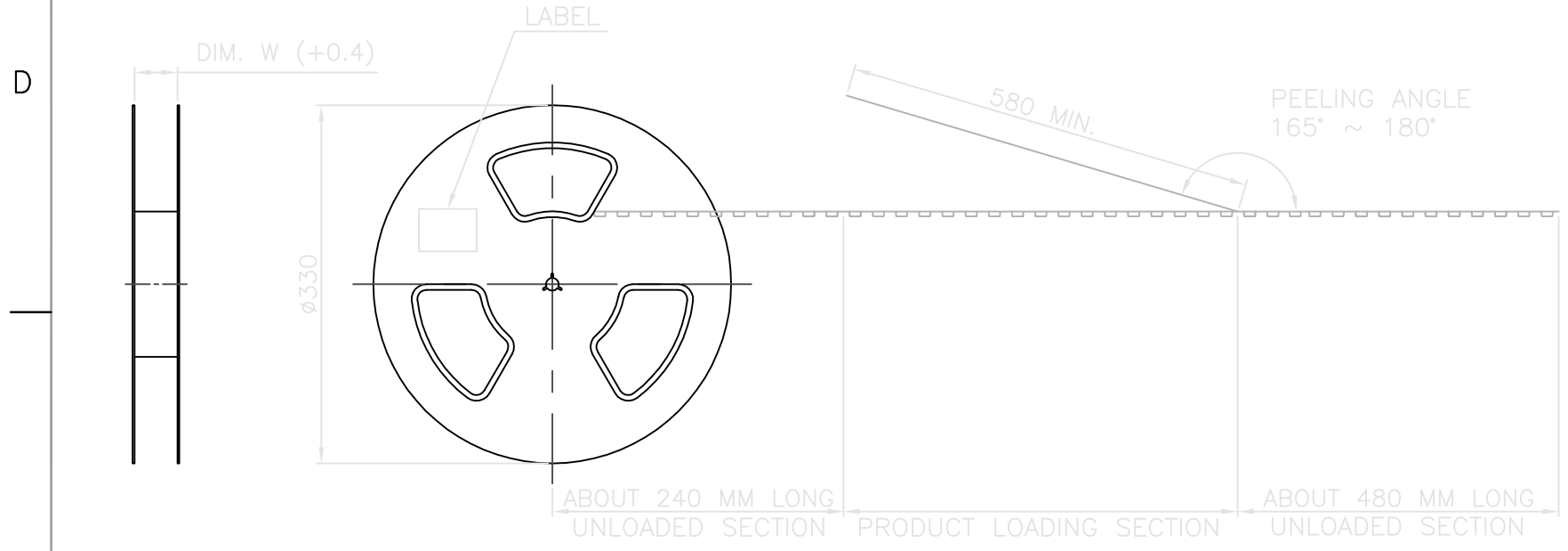
SIZE A300779 CAGE CODE C=1775627 DRAWING NO RESTRICTED TO

WEIGHT SEE TABLE

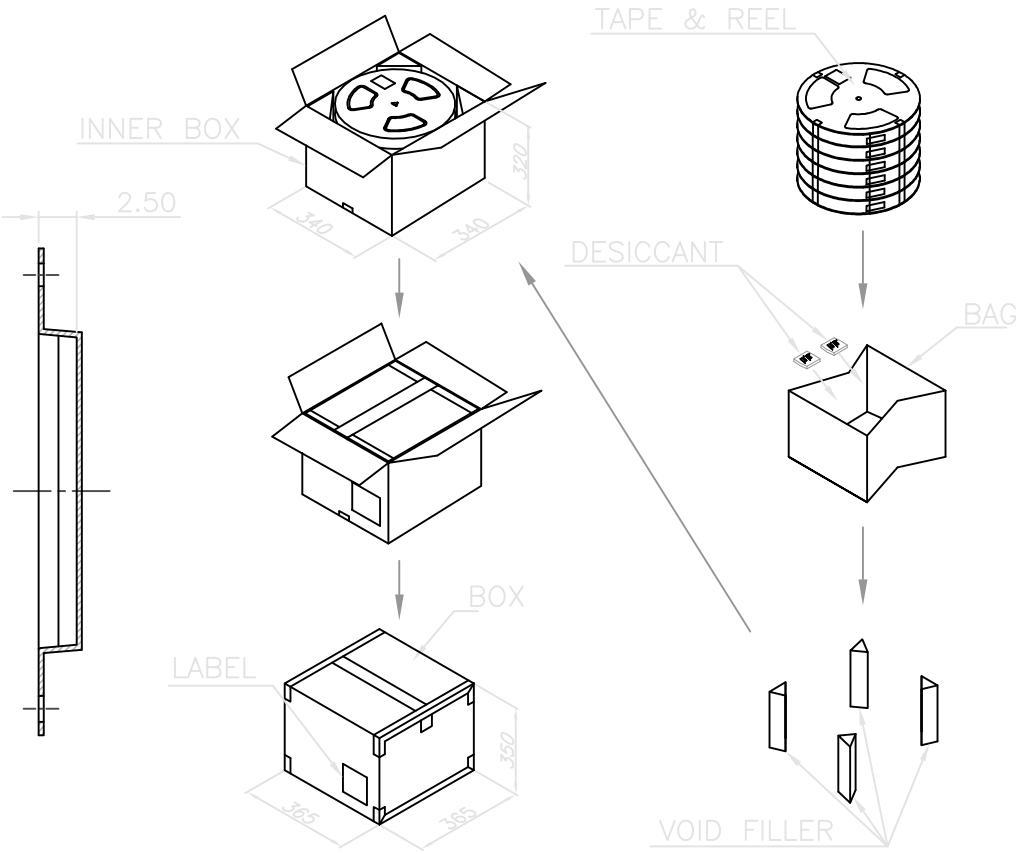
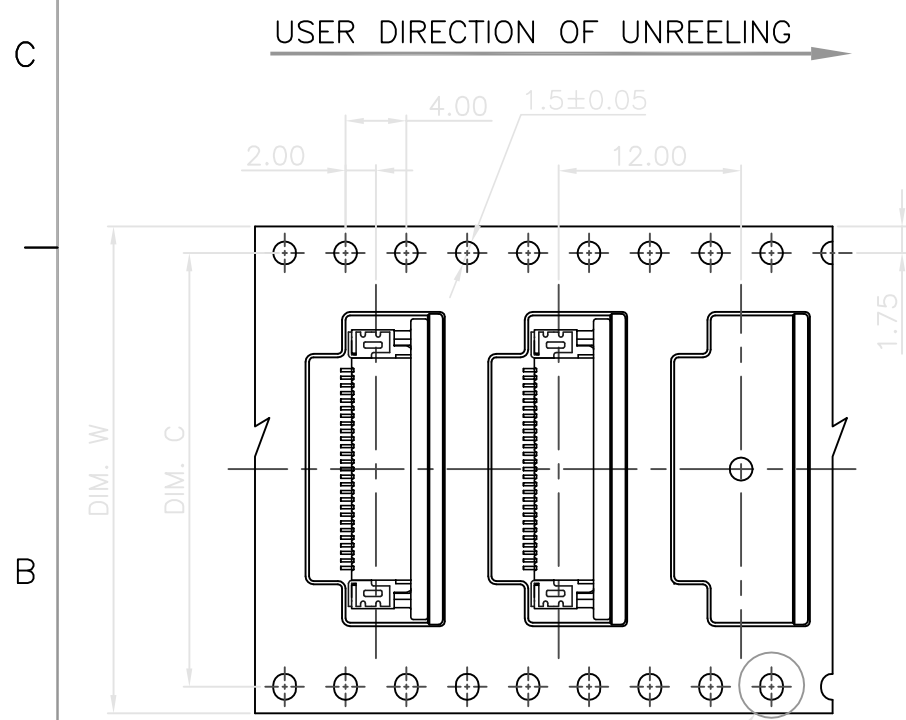
CUSTOMER DRAWING SCALE SHEET 1 of 2 REV C

THIS DRAWING IS UNPUBLISHED. RELEASED FOR PUBLICATION  
 © COPYRIGHT 2013 BY TE CONNECTIVITY. ALL RIGHTS RESERVED.

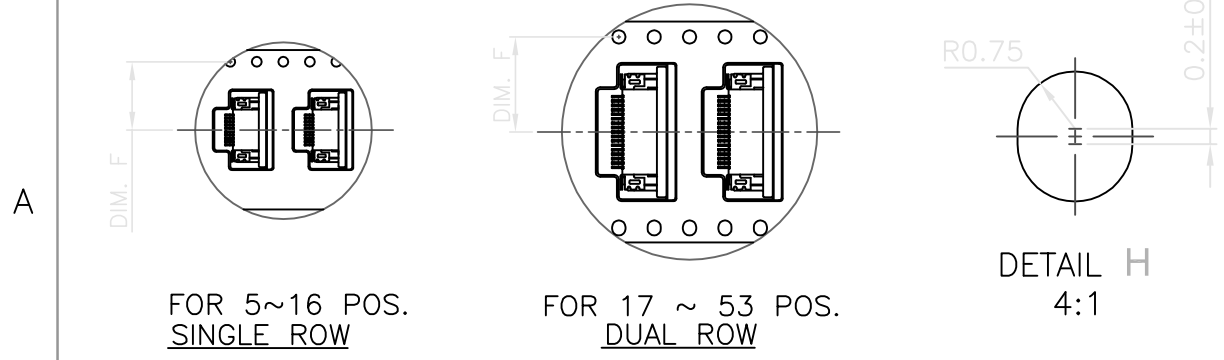
LOC	DIST	REVISIONS					
DW	-	P	LTR	DESCRIPTION	DATE	DWN	APVD
				SEE SHEET 1			



- NOTES:
- MATERIAL:  
 BOX: FIBREBOARD, CORRUGATED, DOUBLE WALL.  
 COVER TAPE: PET, TRANSPARENT COLOR.  
 CARRIER TAPE: POLYSTYRENES, BLACK COLOR.  
 REEL: HIPS, BLUE COLOR.  
 BAG: POLYETHYLENES, TRANSPARENT COLOR.
  - EACH BAG SHALL BE INCLUDED DESICCANT.
  - PEELING STRENGTH: 0.1 ~ 1.3 N (10 ~ 130 GRAMS).
  - PEELING SPEED: 300 mm/min.



QUANTITY	PCS/TAPE	REELS/BOX	DIM C	DIM F	DIM W	G/W (Kg)	N/W (Kg)	NO. OF CONTACTS
12000 PCS	2000	6	40.4	20.2	44	12.5	8.3	53
						12.2	8.0	50
						12.0	7.8	48
						11.8	7.6	46
						11.7	7.5	45
						11.2	7.0	40
						10.9	6.7	37
						10.8	6.6	36
						10.7	6.5	35
						10.6	6.4	34
16000 PCS	2000	8	28.4	14.2	32	10.2	6.0	30
						10.0	5.8	28
						9.9	5.7	27
						9.8	5.6	26
						9.7	5.5	25
						9.6	5.4	24
						9.4	5.2	22
						9.0	4.8	18
20000 PCS	2000	10	11.5	24	8.7	4.4	15	
					8.6	4.2	14	
					8.5	4.0	13	
					8.4	3.8	12	
					8.2	3.4	10	
					8.1	3.2	9	
					8.0	3.0	8	
					7.7	2.6	6	
					7.6	2.4	5	



THIS DRAWING IS A CONTROLLED DOCUMENT.

DIMENSIONS: MM	TOLERANCES UNLESS OTHERWISE SPECIFIED:	DWN	DWN			
0 PLC ± -	1 PLC ± -	CHK	TE Connectivity			
2 PLC ± -	3 PLC ± -	APVD	NAME			
4 PLC ± -	ANGLES ± -	PRODUCT SPEC	FPC CONNECTOR, 0.5 PITCH, ZIF, BOTTOM CONTACT			
MATERIAL	FINISH	APPLICATION SPEC	SIZE	CAGE CODE	DRAWING NO	RESTRICTED TO
		WEIGHT	A3	00779	C=1775627	-
CUSTOMER DRAWING			SCALE	SHEET	REV	
			-	2 OF 2	C	