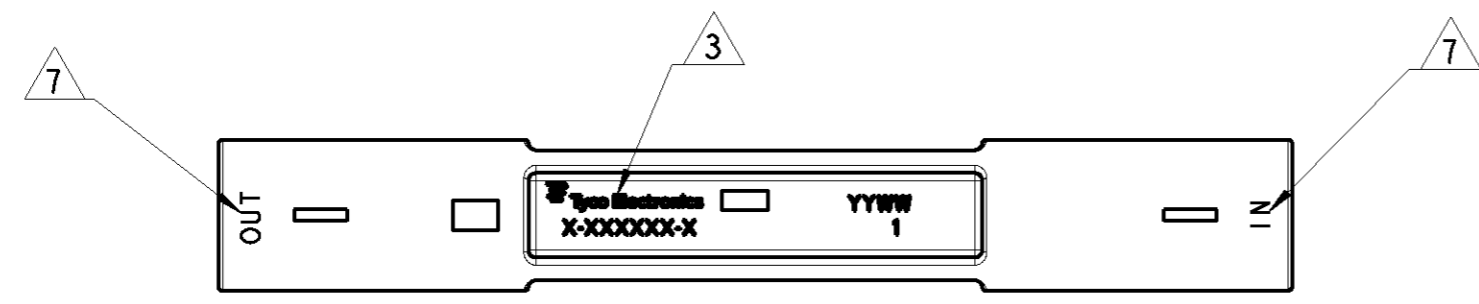
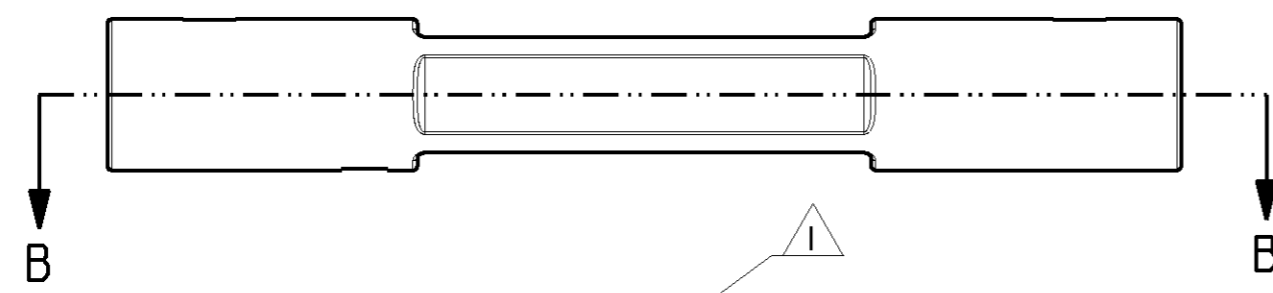
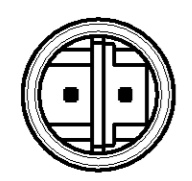


THIS DRAWING IS UNPUBLISHED. RELEASED FOR PUBLICATION 2005
 © COPYRIGHT 2005 BY TYCO ELECTRONICS CORPORATION. ALL RIGHTS RESERVED.

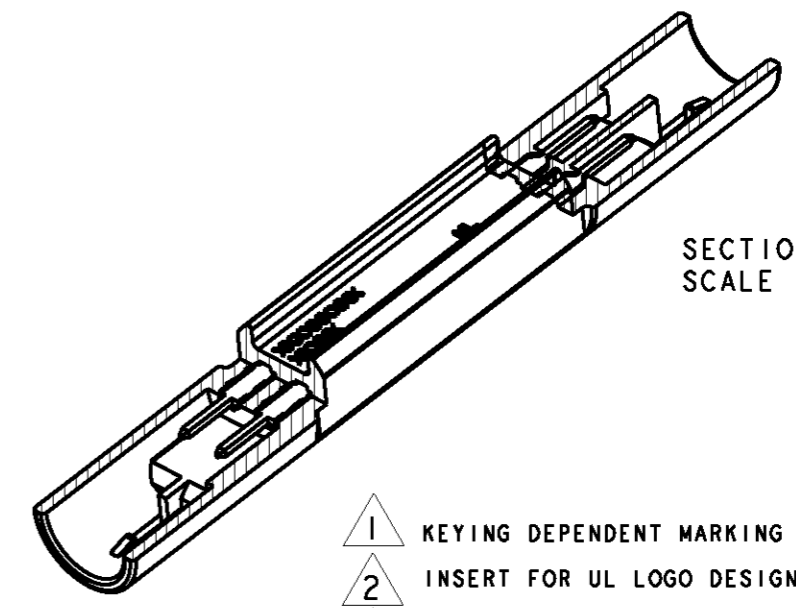
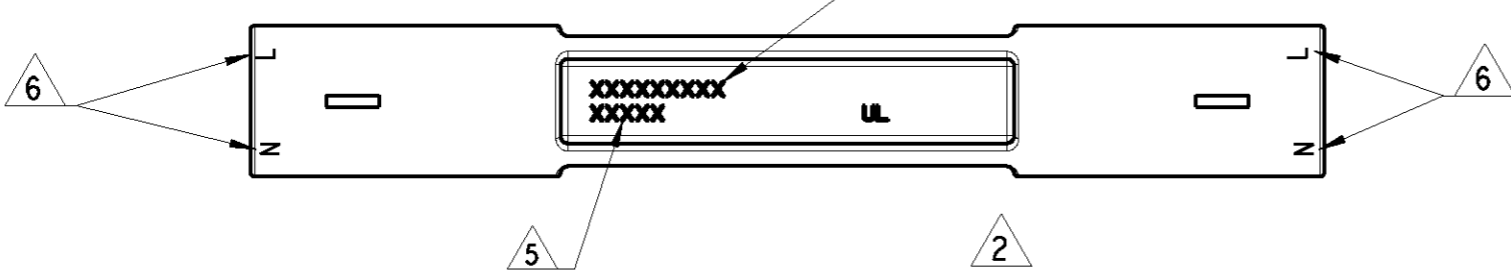
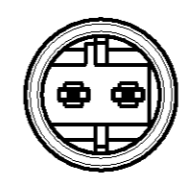
LOC	DIST	REVISIONS			
P	LTR	DESCRIPTION	DATE	DWN	APVD
1		A	FIRST ISSUE	19FEB2010	AV GT



KEYING HV-4

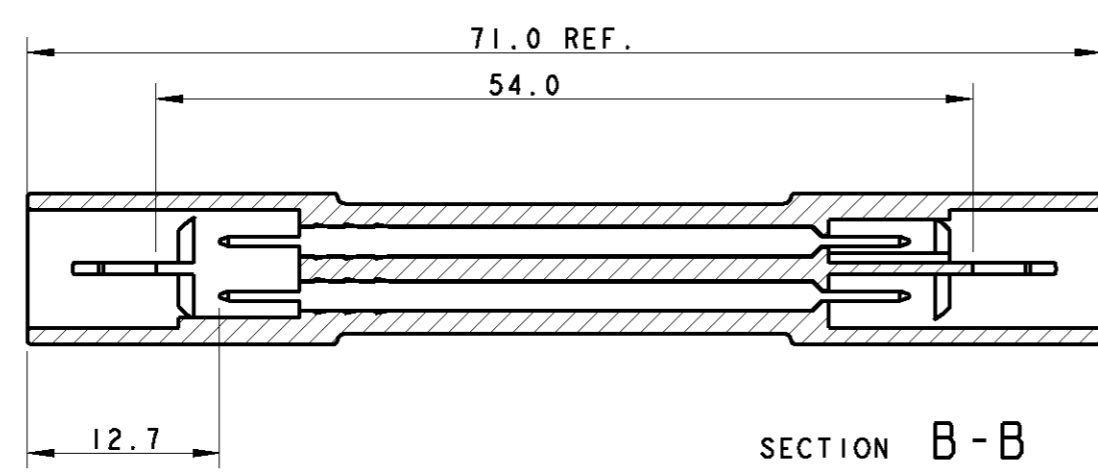


KEYING HV-5



SECTION A-A
SCALE 9:5

- 1 KEYING DEPENDENT MARKING (SEE TABLE)
- 2 INSERT FOR UL LOGO DESIGN BUT NOT EXECUTE
- 3 PART MARKING
-Tyco Electronics Product Identifier
Date Code
Part number
- 4 MATERIAL:
HOUSING PBT GFF15Z
CONTACT: BRASS TIN PLATED
- 5 RAW MATERIAL IDENTIFICATION
PBT GFF15
- 6 WAY IDENTIFICATION
- 7 INPUT-OUTPUT WAY DESCRIPTION
- 8 NOT YET RELEASED FOR PRODUCTION



SECTION B-B

8	HV4-HV5	HIGH-VOLT 125 Vac	6A 125V AC~	293647-1	A
NOTE	KEYING	REMARKS	MARKING 1	P/N	REV.

<small>THIS DRAWING IS A CONTROLLED DOCUMENT FOR TYCO ELECTRONICS CORPORATION IT IS SUBJECT TO CHANGE AND THE CONTROLLING ENGINEERING ORGANIZATION SHOULD BE CONTACTED FOR THE LATEST REVISION.</small>		DWN 19FEB2010 A. Vecchia CHK 19FEB2010 G. Turco APVD 19FEB2010 G. Turco		Tyco Electronics AMP Italia S.r.l. 10093 Collegno TO	
DIMENSIONS: mm		TOLERANCES UNLESS OTHERWISE SPECIFIED: 0 PLC ±0.3 1 PLC ± 2 PLC ± 3 PLC ± 4 PLC ± ANGLES ±		NAME OUTLET BRIDGE ASS'Y FOR USA MARKET	
MATERIAL 4		FINISH		PRODUCT SPEC APPLICATION SPEC WEIGHT SIZE CAGE CODE DRAWING NO RESTRICTED TO A3 00779 C-293647	
CUSTOMER DRAWING				SCALE 2:1 SHEET 1 OF 1 REV A	