



PRODUCT DATASHEET

Lena series

last update 23/2/2014

DETAILS

Product Number	CN12303_LENA-W
Family	Lena
Type	RefPack
Color	metal
Diameter	111 mm
Height	85,6 mm
Style	round
Optic Material	
Holder Material	
Fastening	screw
Status	production ready
ROHS Compliant	Yes
Date Updated	23/02/2014

OPTICAL PROPERTIES

LED	Viewing Angle	Light Beam	Efficiency	cd/lm	Connector
BXRA RS	51 deg	Wide	81 %	-	-

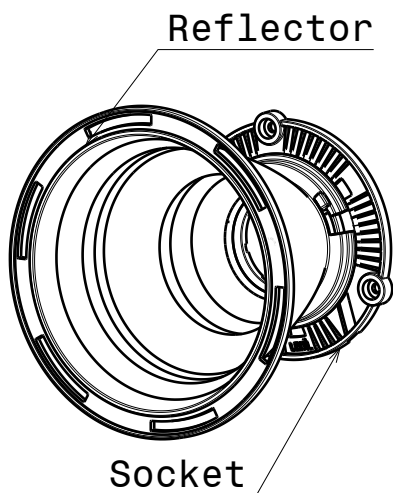


D

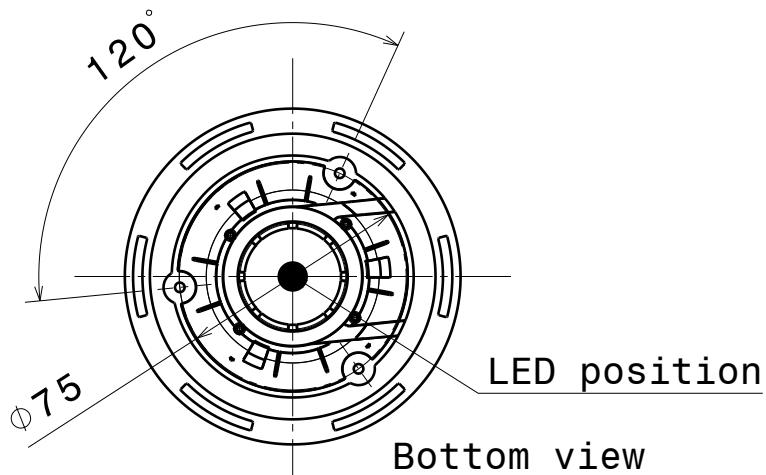
C

B

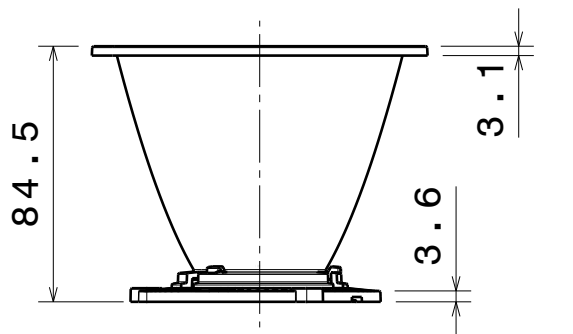
A



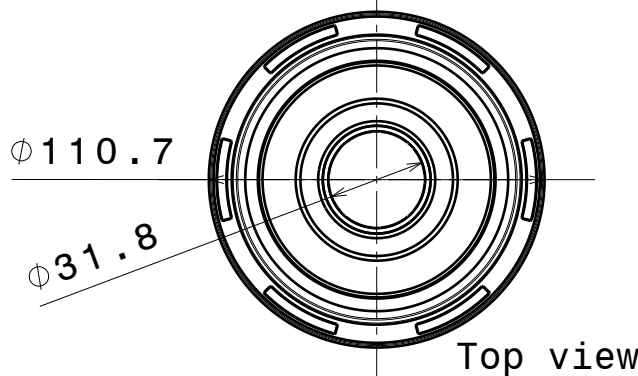
Isometric view
Scale: 2:5



Bottom view



Front view



Top view

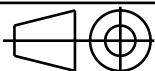
INDEX	PART NO	DESCRIPTION	MATERIAL	COLOUR
1	C11980	LENA-W	PC	metal
2	C12229	LENA-STD-BASE_RS	PC	white

Tolerances if not otherwise shown
According to DIN ISO 2768-1
Linear measures:
Up to 30mm class M, otherwise class C.
According to DIN ISO 2768-2
Form and position: class L

LEDiL

Ledil Oy
Salorankatu 10
FIN 24240 SALO
Finland

THIRD ANGLE PROJECTION:



DRAWING TITLE

CN12303_LENA-W

This drawing is the property
of LEDiL Oy. It may not be
reproduced, copied or
communicated without a written
agreement with LEDiL Oy."

SIZE PART NUMBER

A4

CN12303

SCALE 2:5 WEIGHT -

SHEET 1/1

D

A

NOTE: The typical divergence will be changed by different color, chip size and chip position tolerance. The typical total divergence is the full angle measured where the luminous intensity is half of the peak value.