



Important notes about Classic Panel Mount Indicator Catalog Pages

SCROLL DOWN TO VIEW CATALOG PAGE

This catalog page is out-of-print and is used with the understanding that the information shown could be out-of-date. In many cases, part numbers shown on this page are discontinued. Most notably, many "Complete Assembly" parts, which consist of a cap and a base, can no longer be ordered by the 14-digit ordering code. To obtain these parts, please order the cap and base part numbers separately. This process provides the components contained with the original "Complete Assembly" part number.

All Dialight Classic Panel Mount Indicators need a leading 3-digit numerical series. In some cases, this catalog will show a 2-digit series. In this case, please add a leading zero. For example, 81-0211-300 becomes 081-0211-300.

Part numbers listed on Dialight catalog pages designate parts with Red lenses. For ordering lens colors other than red, consult the chart below. In most cases, the color is dictated by the 7th digit. For example, 095-0932-003 for a green cap.

Lens Colors	
1 - Red	5 - White
2 - Green	6 - Light Yellow
3 - Yellow	7 - Clear
4 - Blue	

[Click here for a cross reference guide to assembly part numbers.](#)

[Click here to view Frequently Asked Questions concerning Panel Mount Indicators.](#)

SCROLL DOWN TO VIEW CATALOG PAGE

Miniature Neon Indicators WITH BUILT-IN RESISTOR FOR MOUNTING IN 11/16" CLEARANCE HOLE



T-3 1/4
B1A (NE-51)
B2A (NE-51H)
MINIATURE BAYONET BASE
See lamp ratings
on page L.

For materials and finishes of
products in this group, see page 9D.

PER MIL-L-3661B

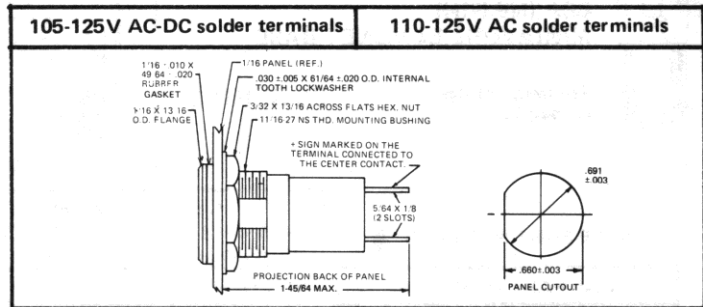


**373 SERIES
375 SERIES
376 SERIES**

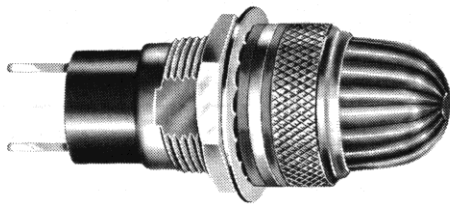
373-0408-0131-273
Convex lens

BASE PART NUMBERS

WITH SCREW-IN LENS CAPS



105-125V AC-DC solder terminals		110-125V AC solder terminals	
LH76/1	373-0408-01-273	LH76/2	373-0463-01-223
CAP PART NUMBERS		COMPLETE ASSEMBLY PART NUMBERS	
<p>LC14 81-0131-203 convex, transparent</p>		<p>373-0408-0131-273</p> <p>373-0463-0131-223</p>	
<p>LC17 203-0131-203 convex, mech. dimmer complete blackout</p>		<p>375-0408-0131-273</p> <p>375-0463-0131-223</p>	
<p>LC18 204-0131-203 convex, mech. dimmer semi-blackout</p>		<p>376-0408-0131-273</p> <p>376-0463-0131-223</p>	

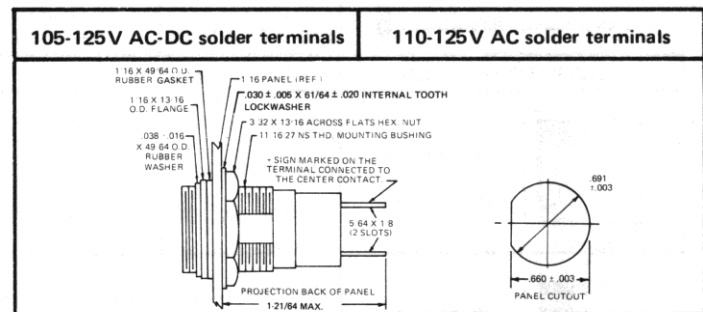


377-0463-1191-223
Stovepipe lens

377 SERIES

BASE PART NUMBERS

WITH SCREW-ON LENS CAPS



105-125V AC-DC solder terminals		110-125V AC solder terminals	
LH77/1	377-0408-11-273	LH77/2	377-0463-11-223
CAP PART NUMBERS		COMPLETE ASSEMBLY PART NUMBERS	
<p>LC19 169-1131-203 stovepipe, transparent</p>		<p>377-0408-1131-273</p> <p>377-0463-1131-223</p>	
<p>LC20 169-1191-203 stovepipe internal fluting</p>		<p>377-0408-1191-273</p> <p>377-0463-1191-223</p>	

Part numbers shown in gray are normally
in inventory at your Dialight Distributor.

Order complete with lamp to be assured of receiving the
indicator light and correct lamp together for immediate use.