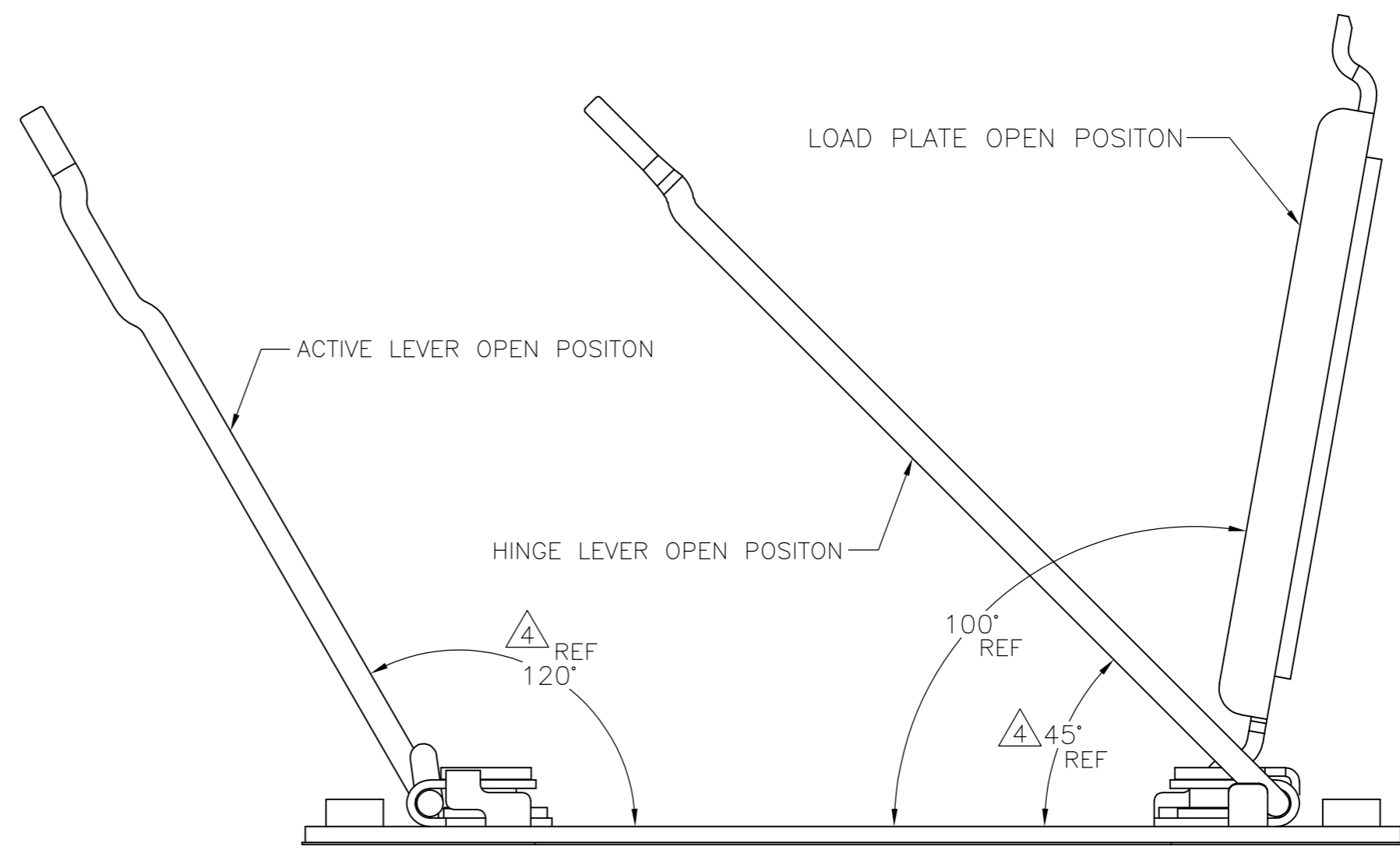


THIS DRAWING IS UNPUBLISHED. RELEASED FOR PUBLICATION APR , 2011.
 © COPYRIGHT 2011 By Tyco Electronics Japan G.K. ALL RIGHTS RESERVED.

LOC	DIST	REVISIONS					
J	-	P	LTR	DESCRIPTION	DATE	DWN	APVD
		-	-	SEE SHEET 1	-	-	-



MAXIMUM OPEN ANGLES
 (2201068-1, 1-2201068-1 AS SHOWN)

2201068

THIS DRAWING IS A CONTROLLED DOCUMENT.		DWN	-	TE TE Connectivity	
DIMENSIONS: 単位: 特 mm		CHK	-		
TOLERANCES UNLESS OTHERWISE SPECIFIED: 一般公差		APVD	-	NAME 名称	
0-PLC ± ± 0.3		PRODUCT SPEC 製品規格		ILM ASSY	
1-PLC ± ± 3°		APPLICATION SPEC 取付適用規格		LGA2011-1	
2-PLC ± ± 3°		WEIGHT -		SIZE	A2
3-PLC ± ±		CAGE CODE		00779	DRAWING NO 番号
4-PLC ± ±		DRAWING NO 番号		C=2201068	RESTRICTED TO
FINISH 仕上		SCALE 尺度		NTS	SHEET 2 OF 2
MATERIAL 材料		CUSTOMER DRAWING		REV	A