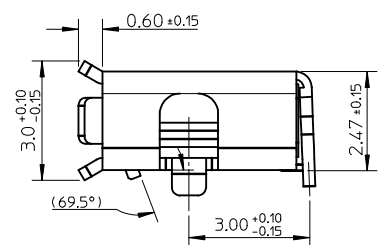
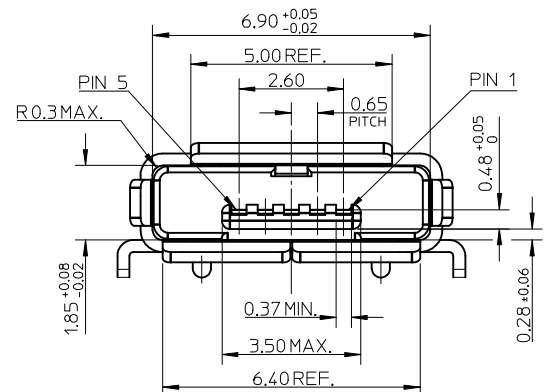
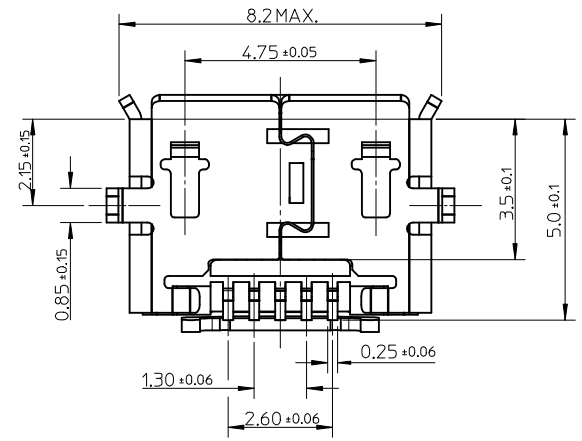
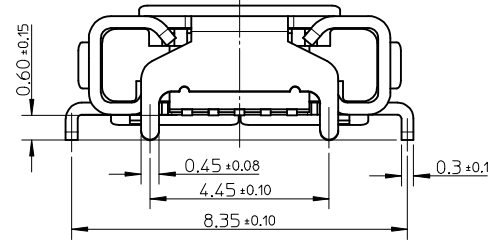


RECOMMENDED P.C.B. PATTERN LAYOUT



NOTE :

- MATERIAL :
HOUSING : LCP, GRAY, UL94V-0
TERMINAL : COPPER ALLOY THICKNESS = 0.15 MM
SHIELD CASE : STAINLESS STEEL THICKNESS = 0.30 MM
- PLATING :
TERMINAL : CONTACT AREA : GOLD FLASH (0.11 MICRON MIN.) OVER MINIMUM 0.75 MICRON Pd/Ni.
SOLDER TAIL AREA : GOLD FLASH (0.05 MICRON MIN.).
UNDER PLATING : NICKEL 2.0 MICROMN MINIMUM.
SHIELD : MATTE TIN 1.27 MICRON MINIMUM.
UNDER PLATING : NICKEL 1.27 MICRON MINIMUM.
- TAIL COPLANARITY 0.08 MM MAXIMUM.
- COMPLIANT TO RoHS DIRECTIVE 2002/95/EC AND ELV IDRECTIVE 2000/53/EC.



NEW RELEASE EC NO: SH2011-0342 DRWN: XJSONG CHKD: APPR: RZHANG	2011/05/18 2011/09/05	QUALITY SYMBOLS F ₁ = 0 F ₂ = 0 F ₃ = 0	GENERAL TOLERANCES (UNLESS SPECIFIED)		DIMENSION STYLE MM ONLY		SCALE 1:1	DESIGN UNITS METRIC	THIRD ANGLE PROJECTION	
			mm	INCH	DRAWN BY XJSONG	DATE 2011/05/18	TITLE MICRO USB AB REC. TOP MOUNT ASS'Y			
			4 PLACES ± ---	± ---	CHECKED BY XJSONG	DATE 2011/05/18	APPROVED BY RZHANG			
			3 PLACES ± ---	± ---	MATERIAL NO. 47590-1001	DATE 2011/09/05	DOCUMENT NO. SD-47590-101			
A	REV	DRAFT WHERE APPLICABLE MUST REMAIN WITHIN DIMENSIONS		SIZE A3	THIS DRAWING CONTAINS INFORMATION THAT IS PROPRIETARY TO MOLEX INCORPORATED AND SHOULD NOT BE USED WITHOUT WRITTEN PERMISSION				SHEET NO. 1 OF 1	