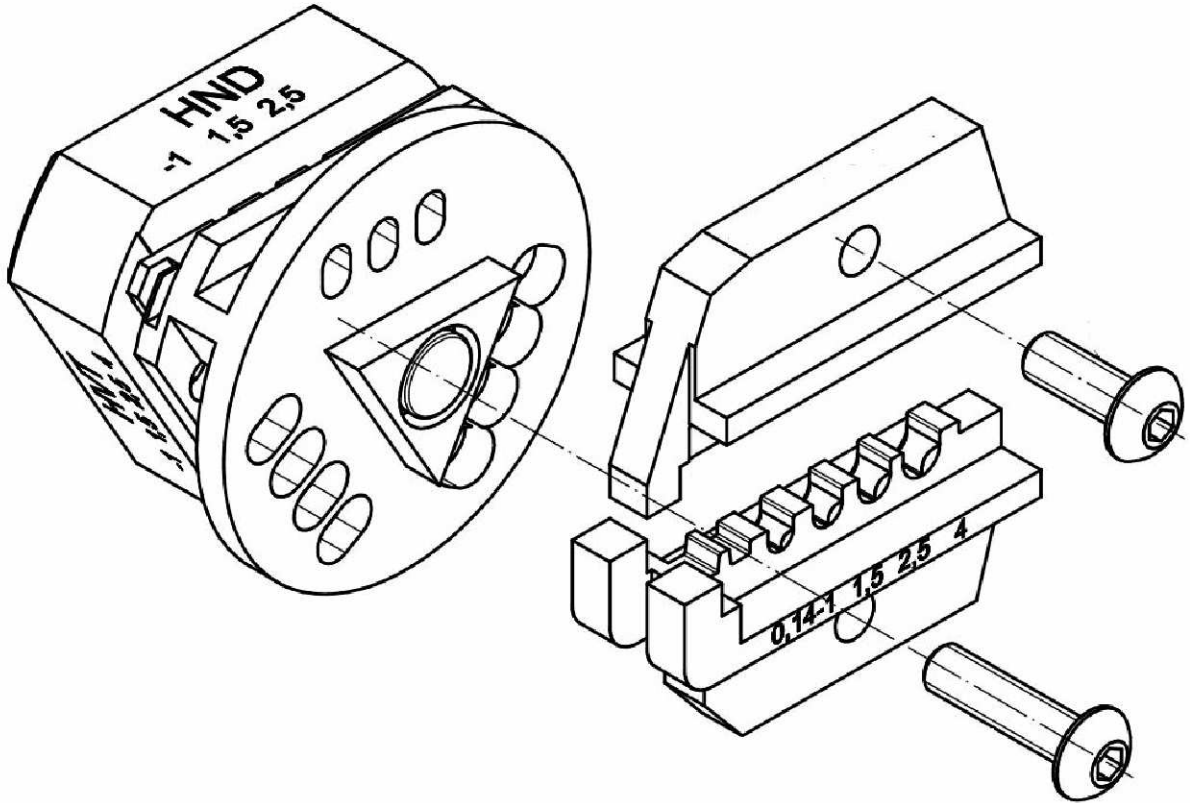


LOC AI	DIST 00	REVISIONS				
P	LTR	DESCRIPTION	DATE	DWN	APVD	
	A1	ECR-15-008714	09JUN2015	BM	GS	



USE DIE SET WITH HAND TOOL TE P/N 1-1105850-8 OR TE PN 539635-1  
*Matrize mit Handzange TE P/N 1-1105850-8 oder TE P/N 539635-1 verwenden.*

DIE SET INCL. LOCATOR PACKED IN A BOX (92x70x65 mm), TE LABEL WITH TE P/N AND REVISION RECORD:  
*Matrzensatz inkl. Kontaktaufnahme wird in einem Karton (92x70x65mm) verpackt, TE-Aufkleber mit TE P/N und Revisionsstand.*


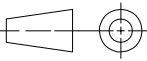
RELEASED FOR PUBLICATION

ALL INTERNATIONAL RIGHTS RESERVED.

BY TYCO ELECTRONICS CORPORATION.

THIS DRAWING IS UNPUBLISHED.

© COPYRIGHT

DIMENSIONS: mm	DWN B. MUTH	09JUN2015	MATERIAL	FINISH
	CHK G. STEGMAYER	09JUN2015		
TOLERANCES UNLESS OTHERWISE SPECIFIED:	APVD G. STEGMAYER	09JUN2015		
	0 PLC ± -	PRODUCT SPEC	SIZE A4	CAGE CODE 00779
1 PLC ± -	APPLICATION SPEC	WEIGHT 0.105 kg	RESTRICTED TO -	
2 PLC ± -			SCALE 1:1	SHEET 1 OF 1
3 PLC ± -			CUSTOMER DRAWING	REV A1
4 PLC ± -				
ANGLES ± -				