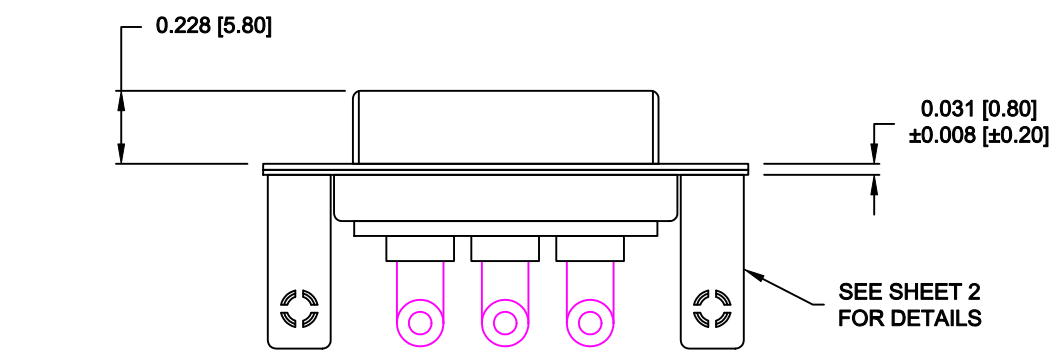
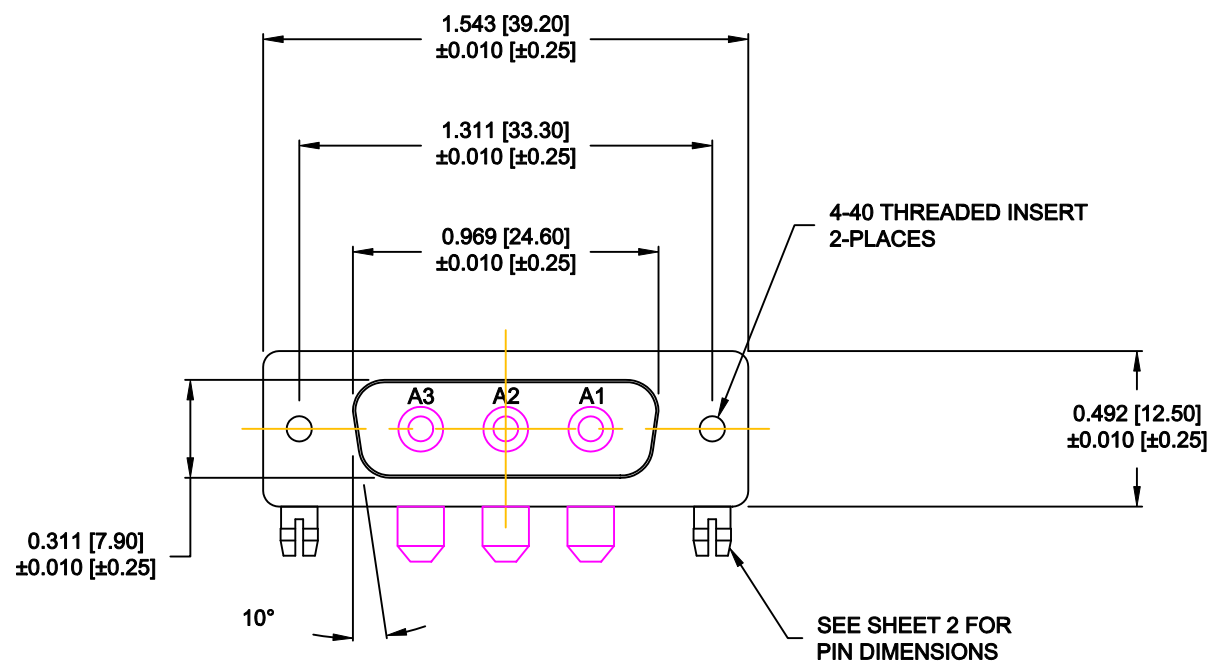


DESCRIPTION: POWER - RIGHT ANGLE - FEMALE - MACHINED

SPECIFICATIONS:


- ELECTRICAL:**
 INSULATOR RESISTANCE: 5 GOHMS Min.
 DIELECTRIC WITHSTANDING: 1,000VAC r.m.s.
 OPERATING TEMPERATURE: -55° C ~ +155° C
 CONTACT RESISTANCE: 1.0 MillioHMS Max.
 POWER PINS: 40 AMPS
- MECHANICAL:**
 CONTACT INSERTION FORCE: 4.5 Kg Max.
 CONTACT SEPARATOR FORCE: 0.3Kg Min.
- MATERIALS:**
 CONTACTS: COPPER ALLOY
 INSULATOR: PBT, 30% GLASS FILLED
 UL94V-0 RATED,
 230°C PROCESS TEMP.
 BLACK
 STEEL
 BRASS, NICKEL PLATED
 BRASS, NICKEL PLATED
 STEEL, NICKEL PLATED
- SHELL:**
BOARD LOCK:
CLINCHNUT:
BRACKET:
- FINISH:**
 SHELL: NICKEL
 CONTACTS: FULL GOLD FLASH



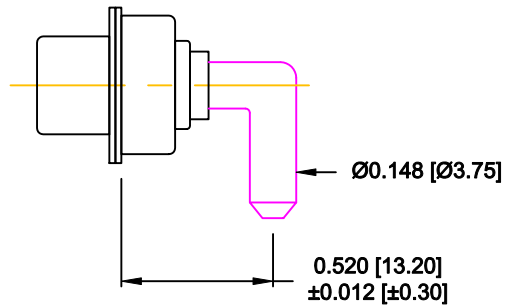
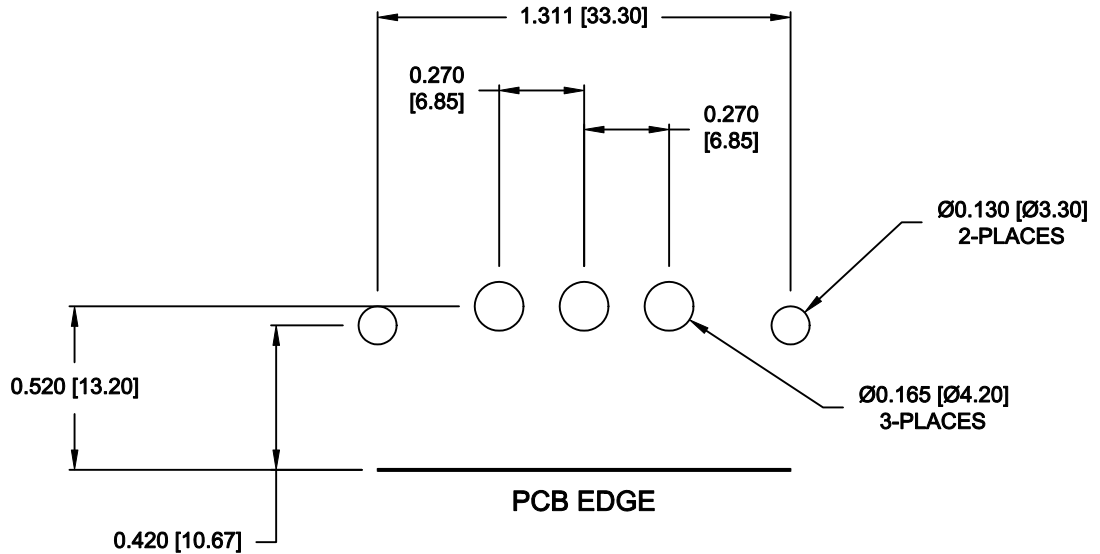
684M3W3203L461

46 = 4-40 INSERTS / BOARD LOCKS

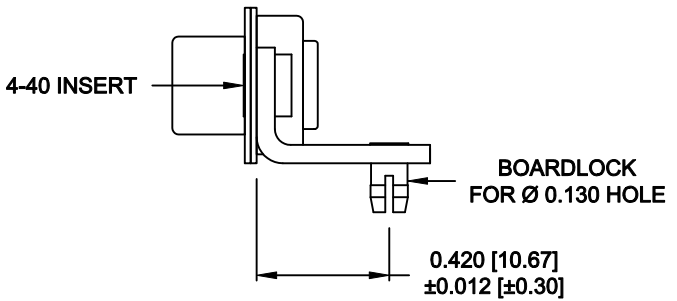
RoHS COMPLIANT

	THESE DRAWINGS AND SPECIFICATIONS ARE THE PROPERTY OF NorComp AND SHALL NOT BE REPRODUCED, COPIED OR USED AS THE BASIS FOR THE MANUFACTURE OR SALE OF APPARATUS WITHOUT WRITTEN PERMISSION.		DRAWN: M. SIGMON	DATE: 02-06-14
			CHECKED:	DATE:
NorComp	SCALE: 1.5 = 1	SHEET 1 OF 2	REV 0	
	DWG NO. 684M3W3203L461			

**NOTE:
POWER CONTACTS COME
PRE-LOADED INTO INSULATORS**




40 AMP POWER CONTACT



MOUNTING HARDWARE

RoHS COMPLIANT

	THESE DRAWINGS AND SPECIFICATIONS ARE THE PROPERTY OF NorComp AND SHALL NOT BE REPRODUCED, COPIED OR USED AS THE BASIS FOR THE MANUFACTURE OR SALE OF APPARATUS WITHOUT WRITTEN PERMISSION.		DRAWN: M. SIGMON	DATE: 02-06-14	
				CHECKED:	DATE:
NorComp		SCALE: 1.5 = 1	SHEET 2	OF 2	REV 0
		DWG NO. 684M3W3203L461			