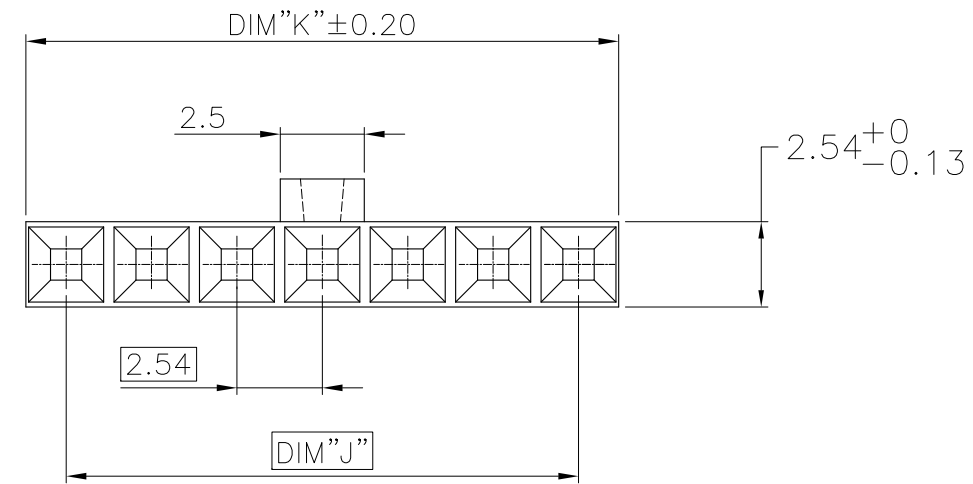
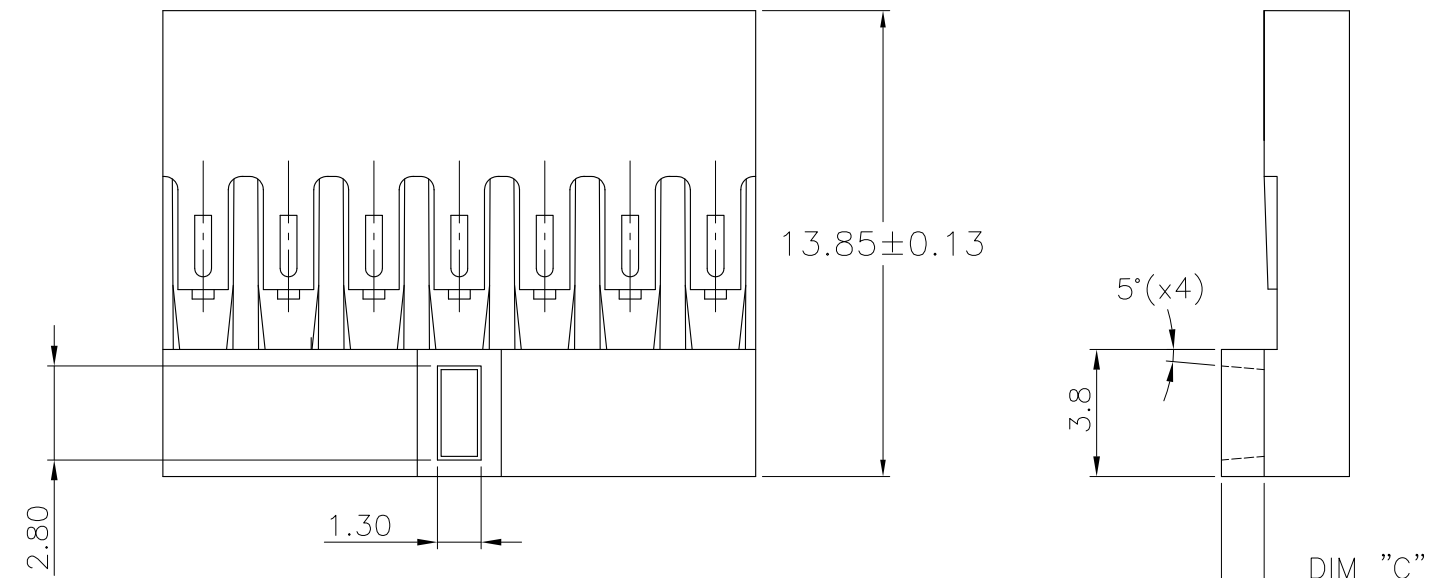


| PRODUCT NUMBER | NO. OF POS | DIM K | DIM L | DIM C | DIM W<br>DIM Z |
|----------------|------------|-------|-------|-------|----------------|
| 78211-003LF    | 3          | 7.47  | 5.08  | 1.35  | 0.05           |
| 78211-004LF    | 4          | 10.01 | 7.62  | 1.35  | 0.05           |
| 78211-005LF    | 5          | 12.55 | 10.16 | 1.35  | 0.05           |
| 78211-006LF    | 6          | 15.09 | 12.70 | 1.35  | 0.10           |
| 78211-007LF    | 7          | 17.63 | 15.24 | 1.35  | 0.10           |
| 78211-008LF    | 8          | 20.17 | 17.78 | 1.35  | 0.10           |
| 78211-009LF    | 9          | 22.71 | 20.32 | 1.35  | 0.10           |
| 78211-010LF    | 10         | 25.25 | 22.86 | 1.35  | 0.10           |
| 78211-011LF    | 11         | 27.79 | 25.40 | 1.35  | 0.15           |
| 78211-012LF    | 12         | 30.33 | 27.94 | 1.35  | 0.15           |
| 78211-013LF    | 13         | 32.87 | 30.48 | 1.35  | 0.15           |
| 78211-014LF    | 14         | 35.81 | 33.02 | 1.35  | 0.15           |
| 78211-015LF    | 15         | 37.95 | 35.56 | 1.35  | 0.15           |
| 78211-103LF    | 3          | 7.47  | 5.08  | 2.54  | 0.05           |
| 78211-105LF    | 5          | 12.55 | 10.16 | 2.54  | 0.05           |
| 78211-106LF    | 6          | 15.09 | 12.70 | 2.54  | 0.10           |



NOTES:

- MOLDING MATERIAL : MODIFIED POLYPHELYNENE  
COLOR BLACK, UL 94 V0
- LATCH MUST WITHSTAND 18N MIN PULL OUT FORCE
- STANDARD PACKAGING IN POLYBAGS
- TERMINALS MUST BE CRIMPED PROPERLY FOR SATISFACTORY LATCHING :
  - FOR CRIMPING INSTRUCTIONS, SEE TA-75 AND TA-295
  - FOR TERMINAL APPLICATION SEE TA-531.
 PRODUCT SPECIFICATION: BUS-12-067.
- THIS HOUSING IS INTENDED FOR USE WITH MINI PV TERMINAL WITH 22-36 GAUGE WIRE
- RoHS COMPLIANT PRODUCT SPECIFICATIONS :
  - MEETS PACKAGING SPECS AS PER GS-14-920
  - PRODUCT MEETS EUROPEAN UNION DIRECTIVES AND OTHER COUNTRY REGULATIONS AS DESCRIBED IN GS-22-008.
  - THE PRODUCT IS NOT INTENDED TO BE EXPOSED TO A MANUFACTURING SOLDER PROCESS.

|                         |                |     |          |                                       |                               |                  |   |
|-------------------------|----------------|-----|----------|---------------------------------------|-------------------------------|------------------|---|
| mat'l. code<br>10036738 |                |     |          | surface<br>ISO 1302 ✓                 | tolerance<br>ISO 406 ISO 1101 | projection<br>mm | product family<br>BERGCON                   |
| ltr                     | ecr no         | dr  | date     | tolerances unless otherwise specified |                               | scale 5:1        | title<br>MINI LATCH<br>HOUSING SR POLARIZED |
| K                       | V07-0533       | HTB | 07.08.21 | angles                                | .X ±0.3                       |                  | dwg no<br>78211                             |
| L                       | B-14321        | LMU | 13.03.21 | linear                                | .XX ±0.13<br>.XXX ±0.05       |                  |   |
|                         |                |     |          | dr                                    | L.MULIN                       | 13.03.21         | type<br>CUSTOMER Drawing                    |
|                         |                |     |          | enr                                   | L.MULIN                       | 13.03.21         |   |
|                         |                |     |          | chr                                   | J.COMPAGNON                   | 13.03.21         |   |
|                         |                |     |          | appd                                  | LMU                           | 13.03.21         |   |
| sheet index             | revision sheet |     |          |                                       |                               |                  |   |