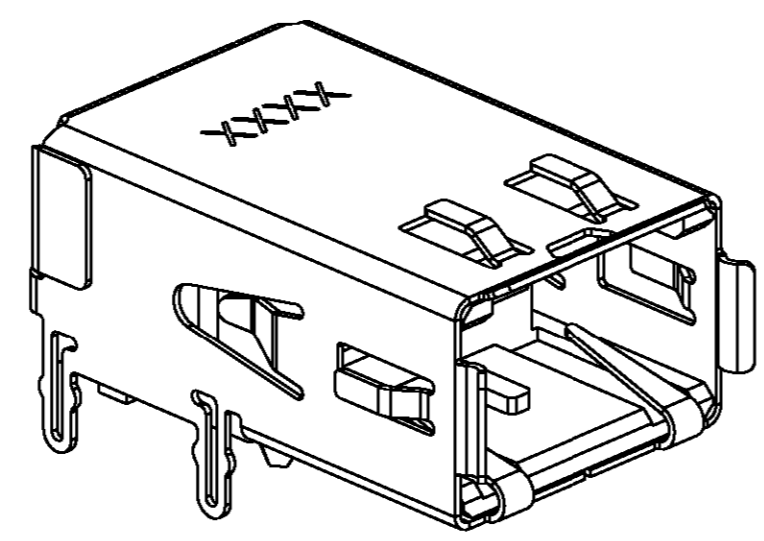
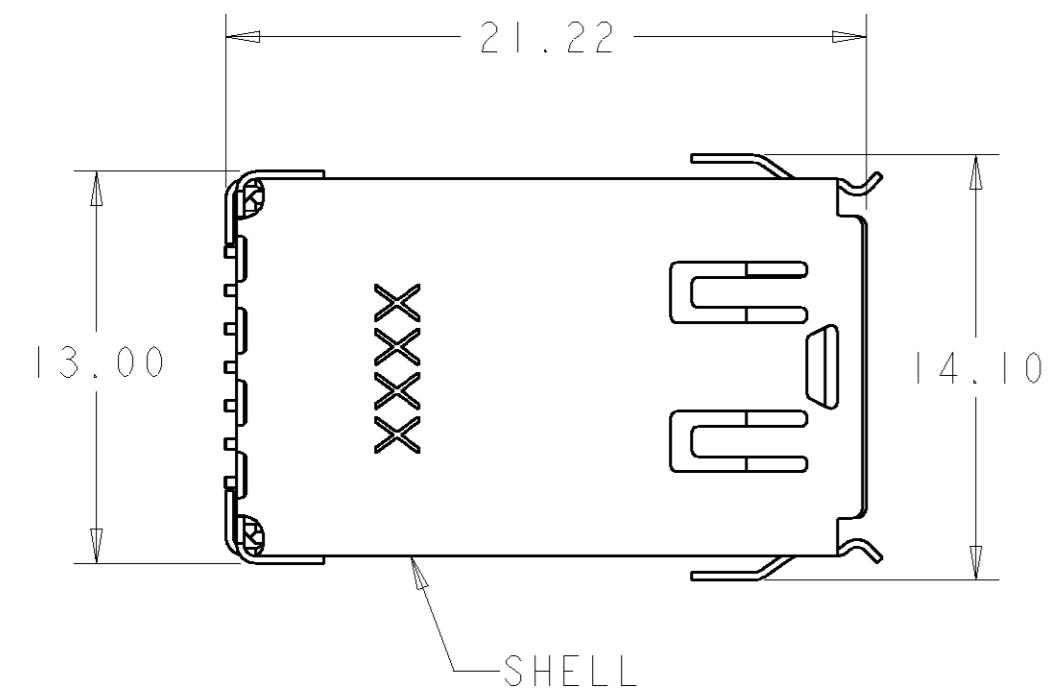
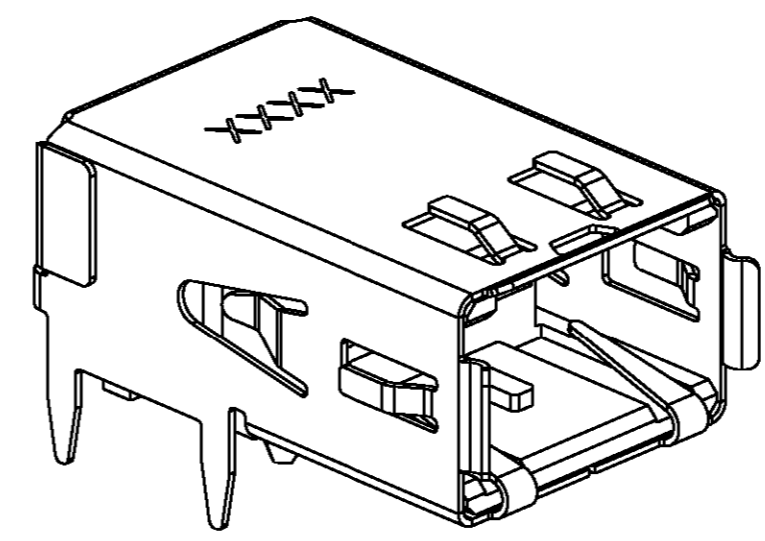


THIS DRAWING IS UNPUBLISHED. RELEASED FOR PUBLICATION 20
 © COPYRIGHT 20 BY TYCO ELECTRONICS CORPORATION. ALL RIGHTS RESERVED.

LOC	DIST	REVISIONS			
P	LTR	DESCRIPTION	DATE	DWN	APVD
GP	00				
	01	REVISED PER EC 0S13-0253-05	18APR06	JG	JG
	A	REVISED PER ECO-06-007876	07DEC06	JDP	SAS
	A1	REVISED PER ECO-06-029973	22DEC2006	CJV	SAS
	A2	REVISED PER ECO-10-000445	06FEB10	KK	HMR

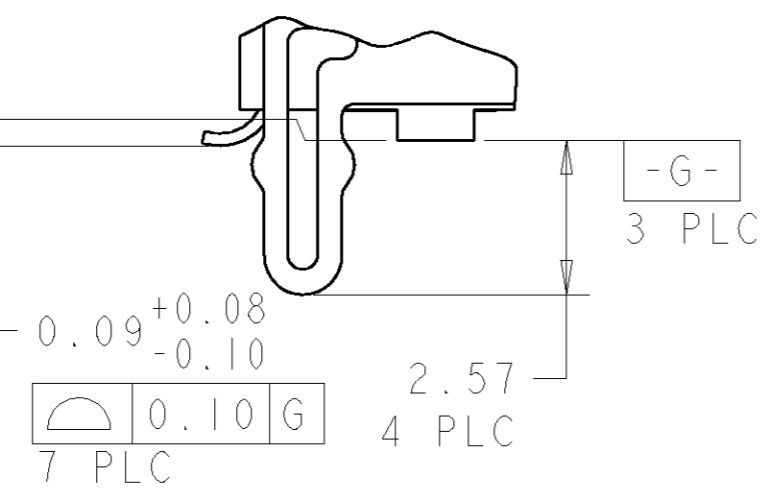
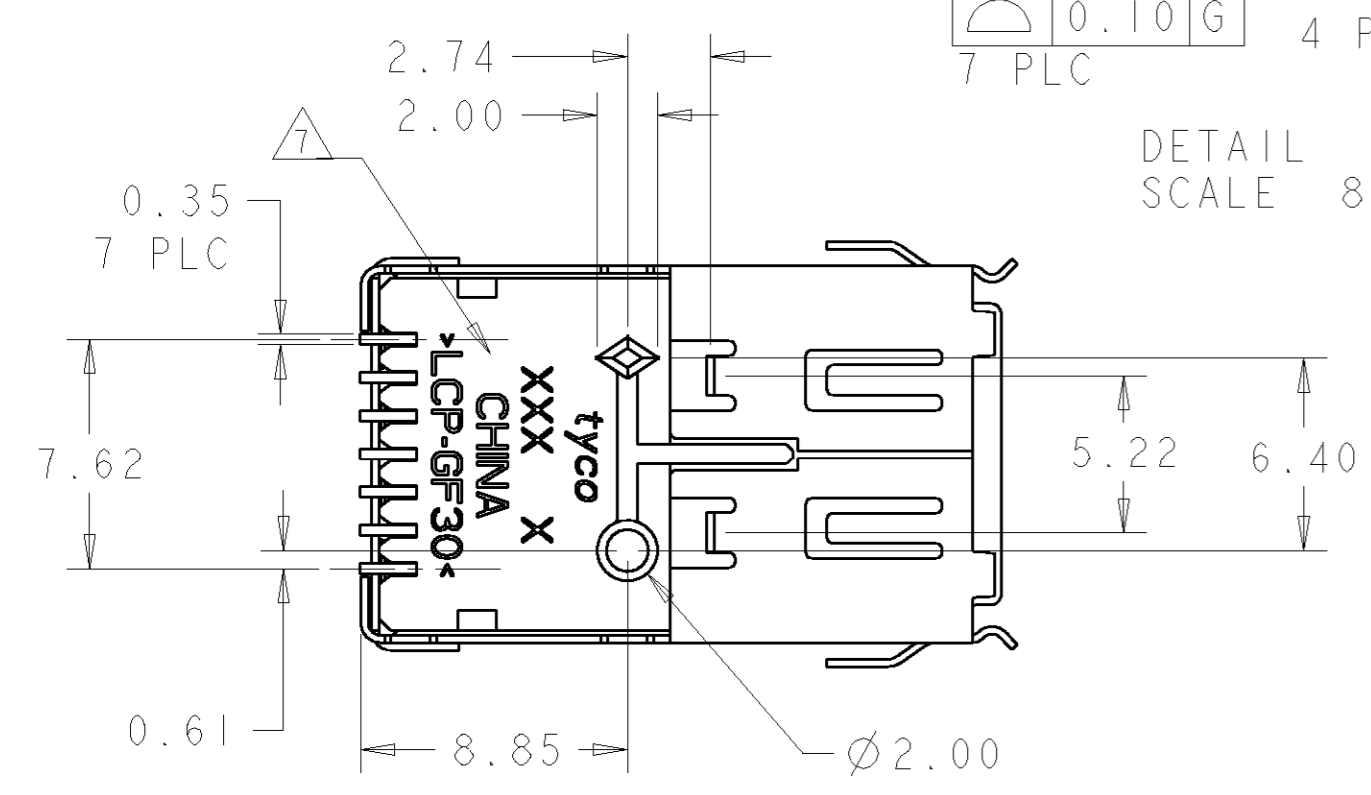
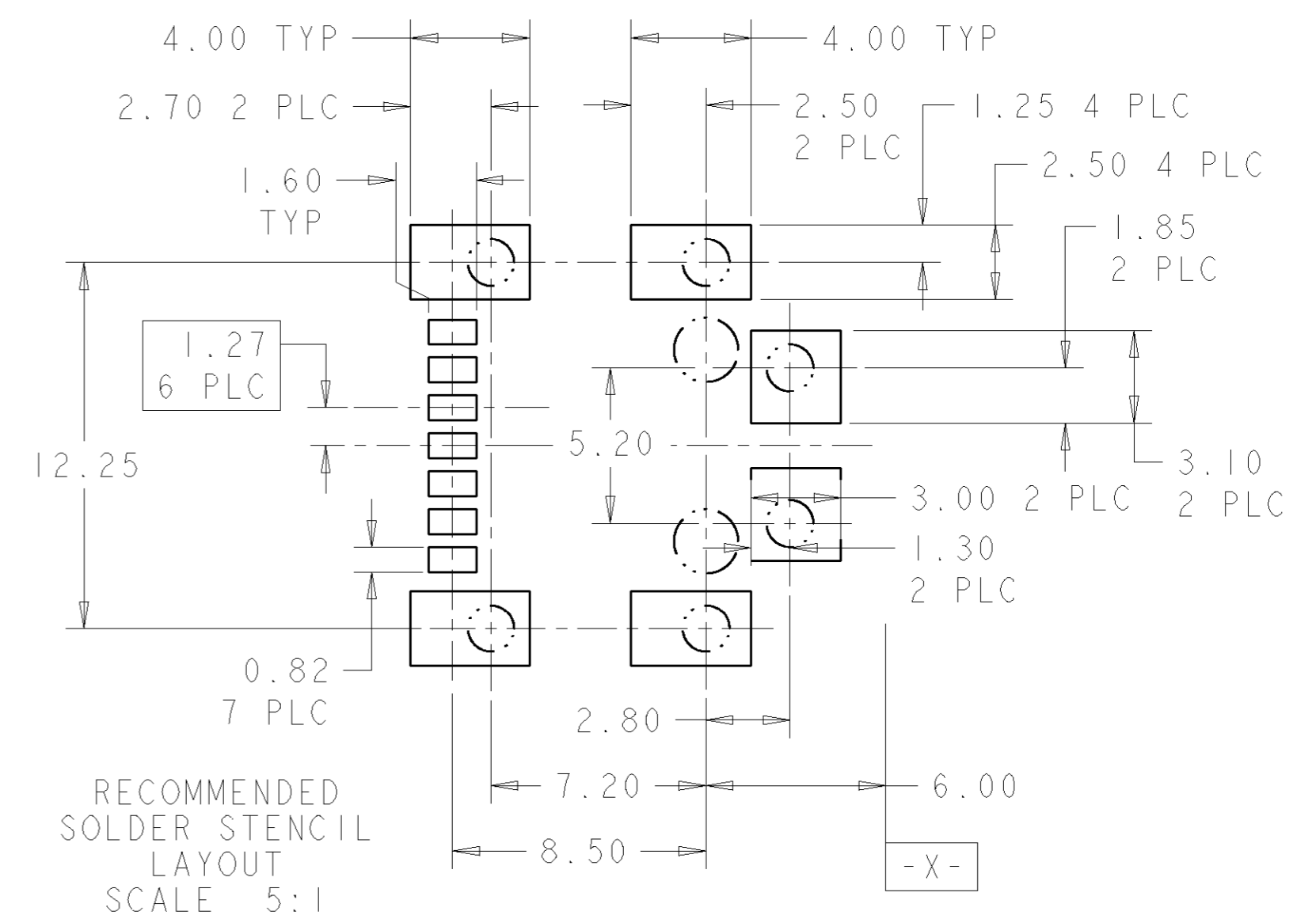
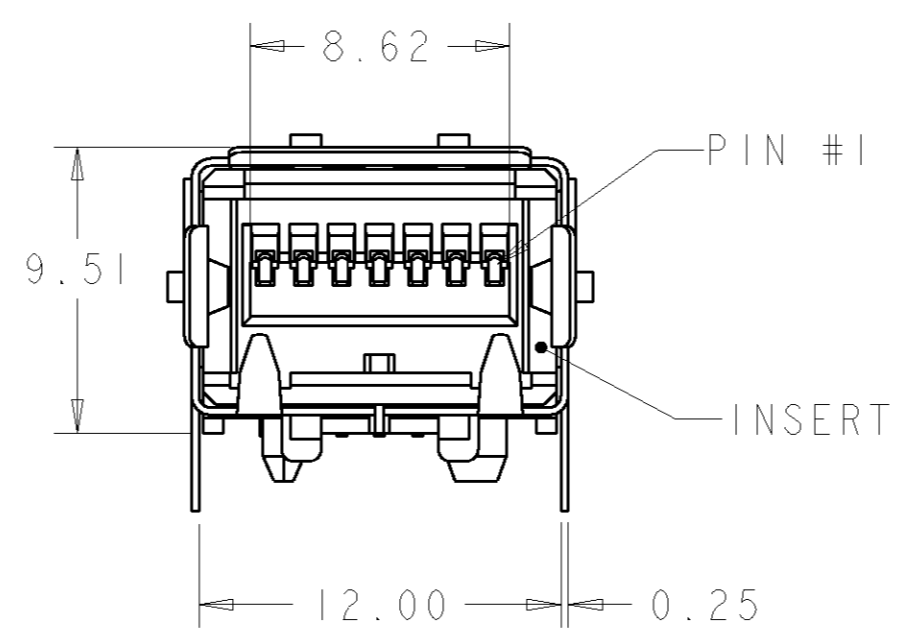
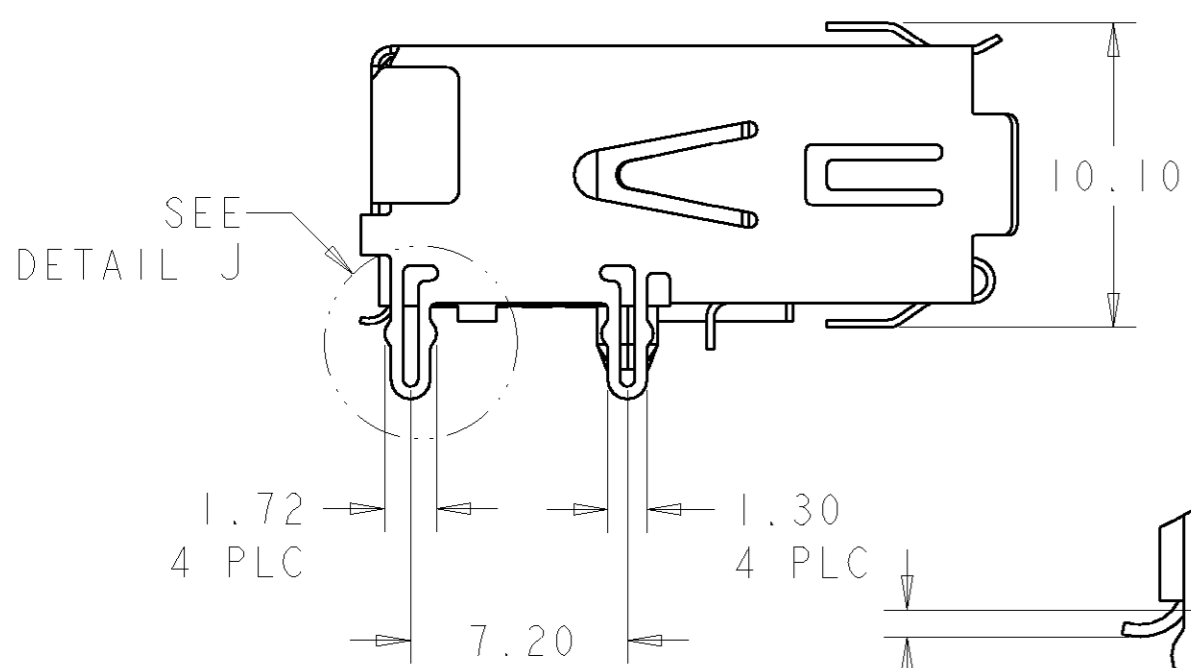


1761069-1
SOLDER TAIL WITH BOARDLOCK

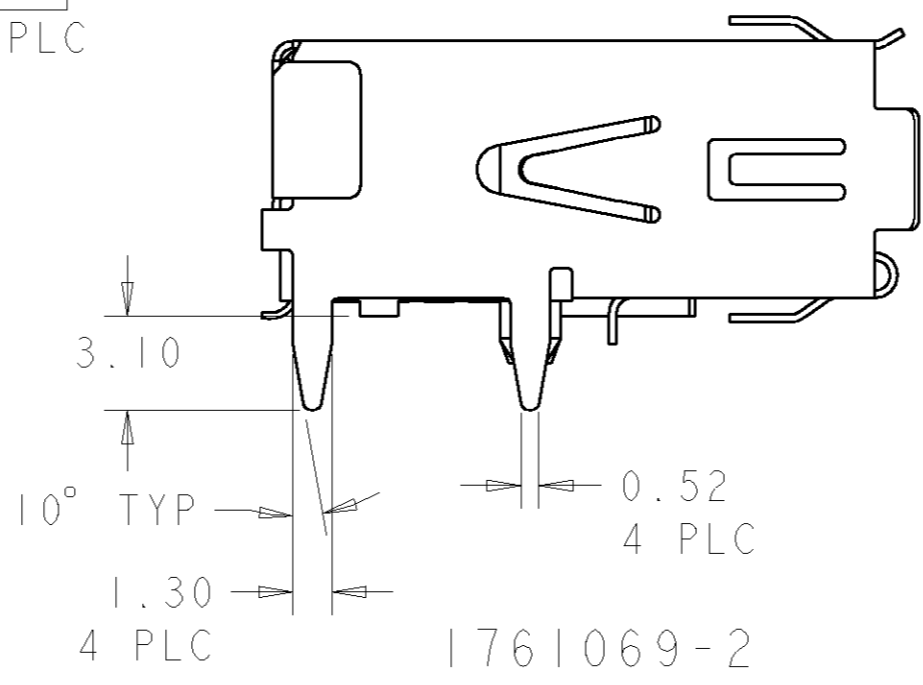


1761069-2
SOLDER TAIL

- 1 INSERT: LCP, UL 94V-0 RATED.
CONTACTS: COPPER ALLOY
SHELL: PHOSPHOR BRONZE.
- 2 CONTACTS: 1.27µm MINIMUM GOLD OVER
3.81µm MINIMUM NICKEL ON MATING END.
3.81µm MINIMUM MATTE TIN OVER
1.27µm MINIMUM NICKEL ON SOLDER TAILS.
SHELL: 3µm MINIMUM TIN OVER
1.27µm MINIMUM NICKEL.
- 3 DATUM AND BASIC DIMENSION ESTABLISHED BY CUSTOMER.
- 4 LOCATION OF STANDOFF CONTACTING THE BOARD.
- 5 PACKAGED IN TRAY.
- 6 PACKAGED TAPE AND REEL.
- 7 TYCO LOGO, COUNTRY OF ORIGIN, MATERIAL CODE, BUILDING NUMBER AND MOLD CAVITY ID ARE FROSTED ON THIS SURFACE.



DETAIL J
SCALE 8:1



8 OBSOLETE PARTS: OBSOLETE CIS STREAMLINING PER D.RENAUD/D.SINISI

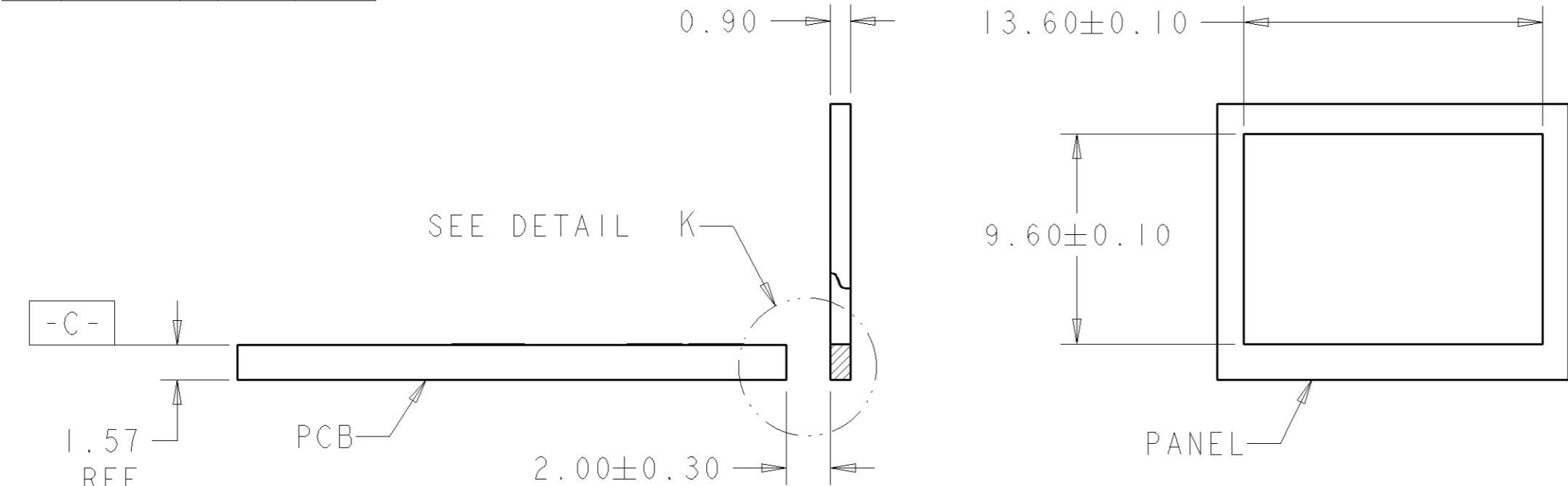
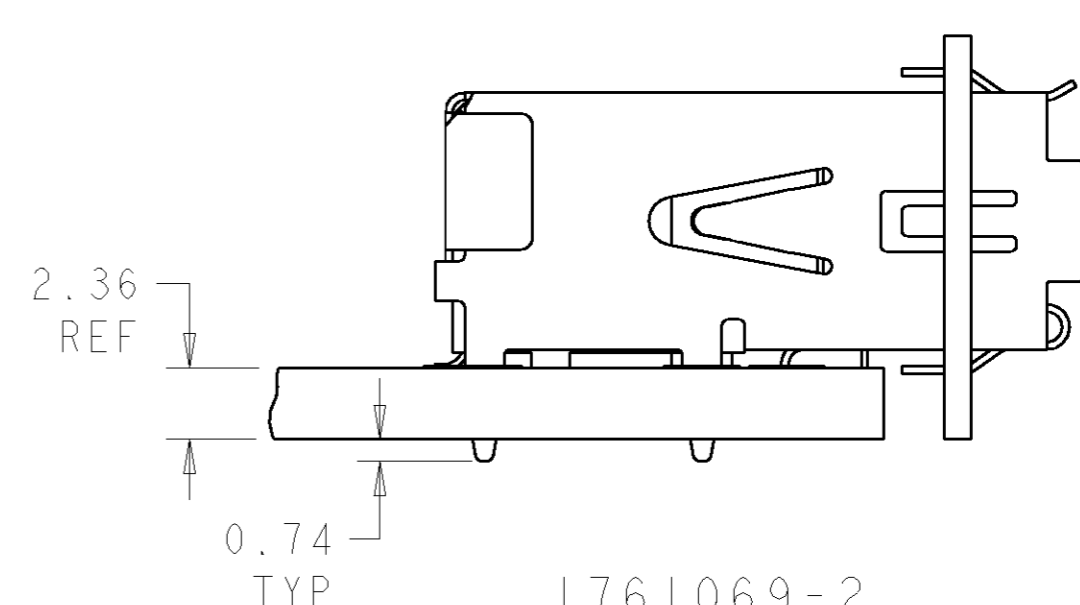
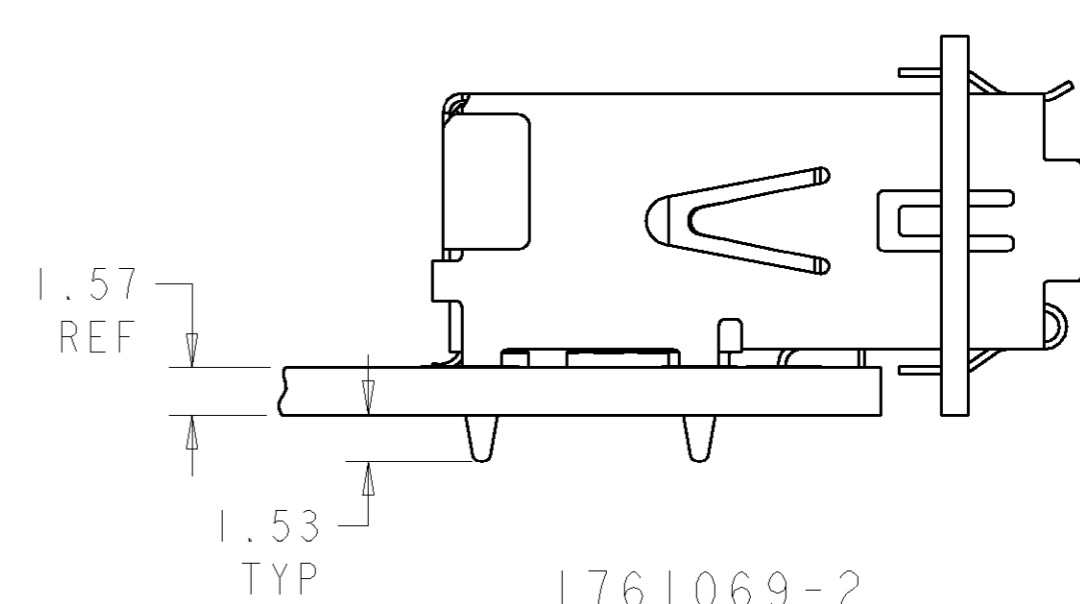
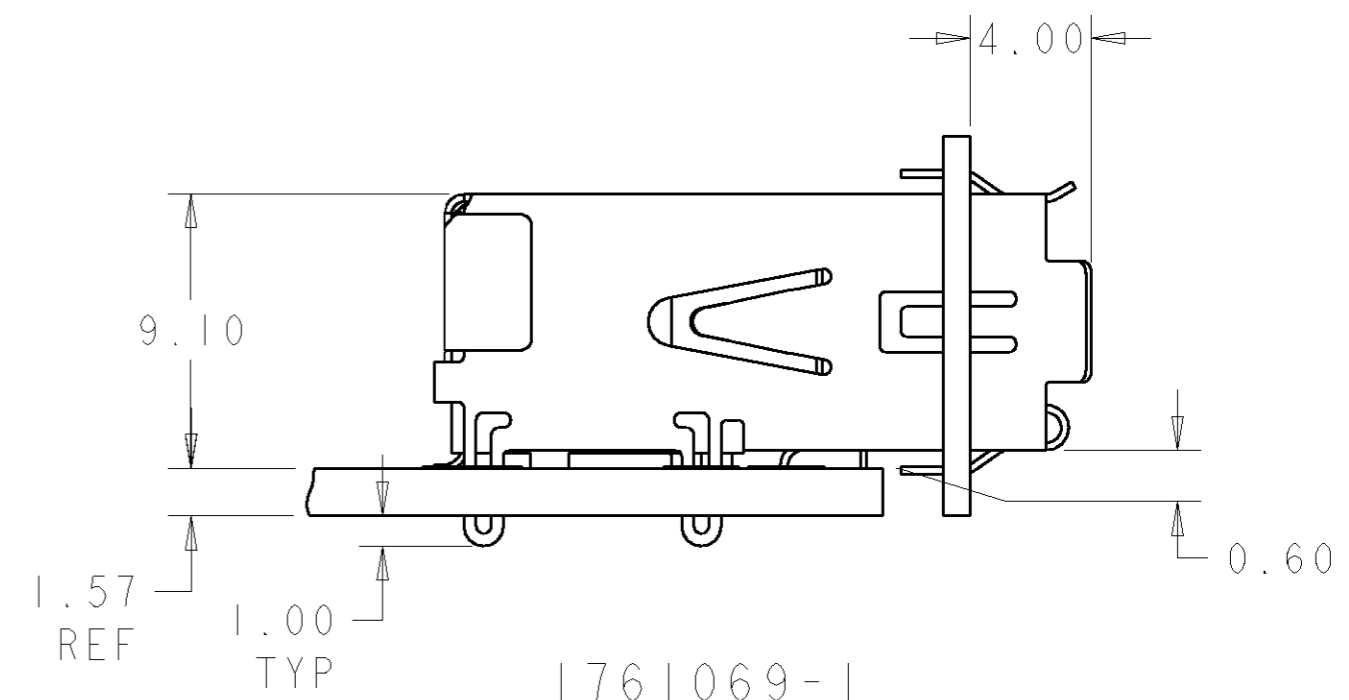
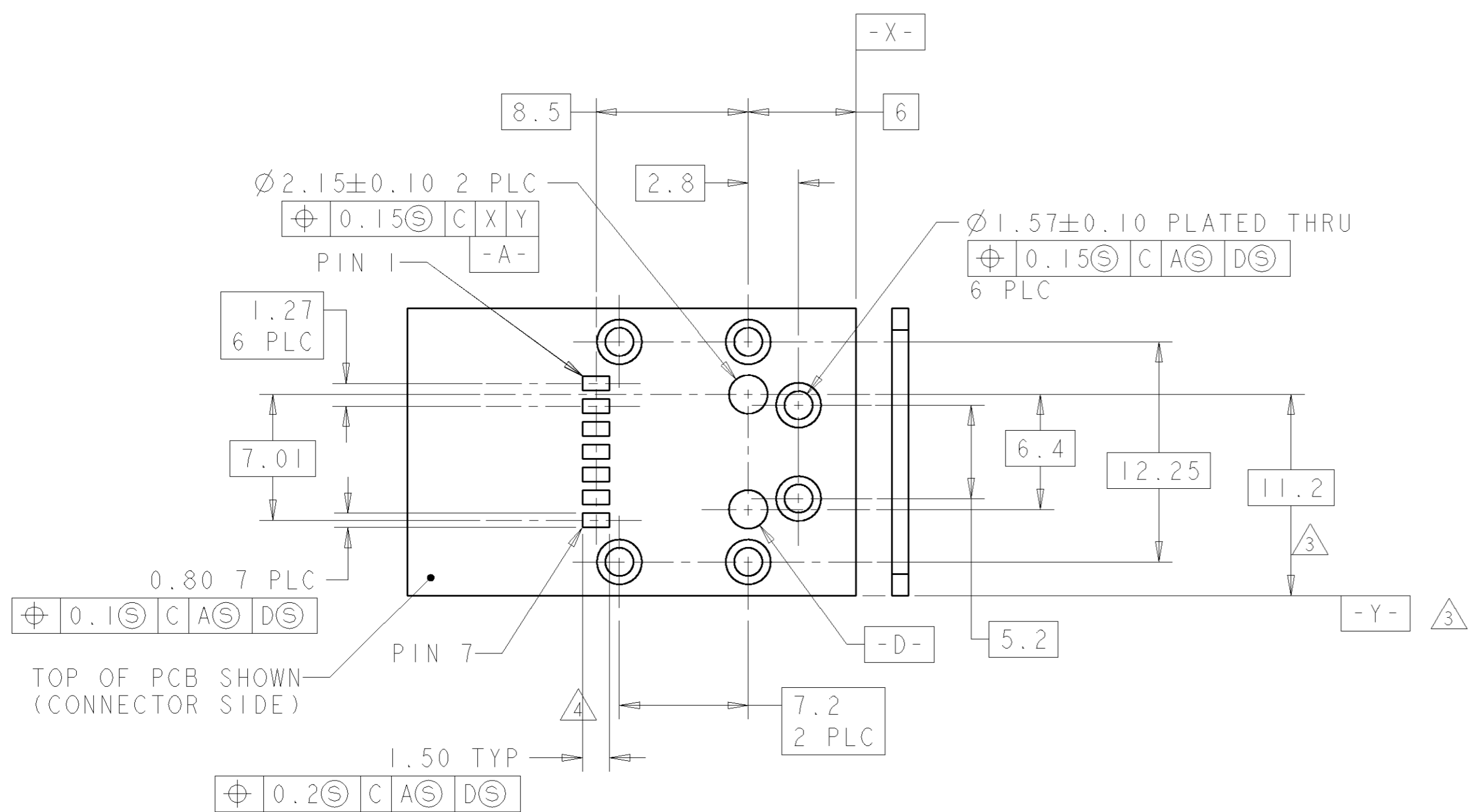
PACKAGING	DESCRIPTION	PART NUMBER
8 OBSOLETE	SAME AS 1761069-1	1761069-4
8 OBSOLETE	SAME AS 1761069-2	1761069-3
6	SOLDER TAIL	1761069-2
5	SOLDER TAIL WITH BOARDLOCK	1761069-1

**COPYRIGHT 2004
ALL RIGHTS RESERVED
TYCO ELECTRONICS CORP**

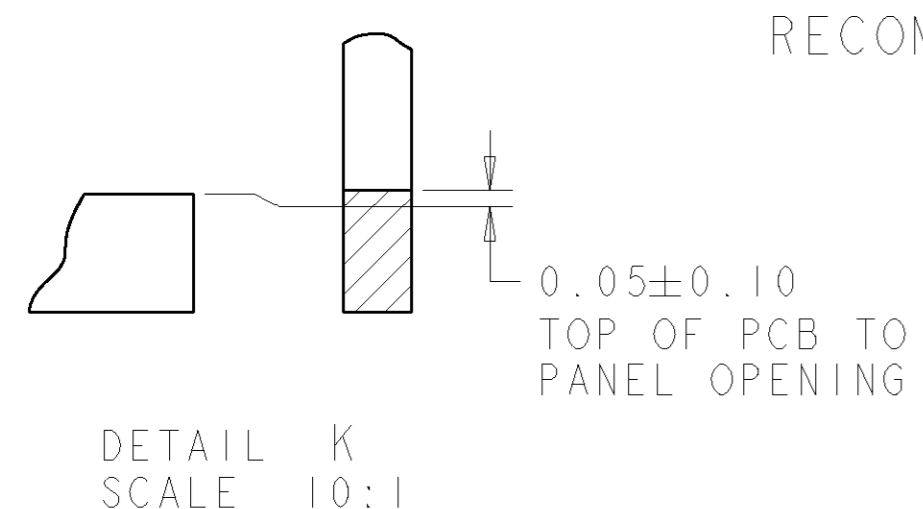
THIS DRAWING IS A CONTROLLED DOCUMENT FOR TYCO ELECTRONICS CORPORATION IT IS SUBJECT TO CHANGE AND THE CONTROLLING ENGINEERING ORGANIZATION SHOULD BE CONTACTED FOR THE LATEST REVISION.		DWN J.GERACE 23APR04 CHK C.ROHDE 23APR04 APVD M.WALMSLEY 23APR04	tyco Electronics Tyco Electronics Harrisburg, PA 17105-3608
DIMENSIONS: mm 	TOLERANCES UNLESS OTHERWISE SPECIFIED: 0 PLC ± 1 PLC ± 2 PLC ±0.13 3 PLC ± 4 PLC ± ANGLES ±3° FINISH	PRODUCT SPEC 108-1965 APPLICATION SPEC 114-13028 WEIGHT 2.71	NAME RECEPTACLE ASSEMBLY, INFINIBAND, SURFACE MOUNT, SINGLE ROW, HSSDC2 SIZE A2 CAGE CODE 00779 DRAWING NO. 1761069 RESTRICTED TO - SCALE 4:1 SHEET 1 OF 3 REV A2
MATERIAL		CUSTOMER DRAWING	

THIS DRAWING IS UNPUBLISHED. RELEASED FOR PUBLICATION 20
 © COPYRIGHT 20 BY TYCO ELECTRONICS CORPORATION. ALL RIGHTS RESERVED.

LOC	DIST	REVISIONS			
P	LTR	DESCRIPTION	DATE	DWN	APVD
GP	00	SHEET 1	-	-	-



RECOMMENDED PCB AND PANEL LAYOUT
 CONNECTOR SIDE SHOWN

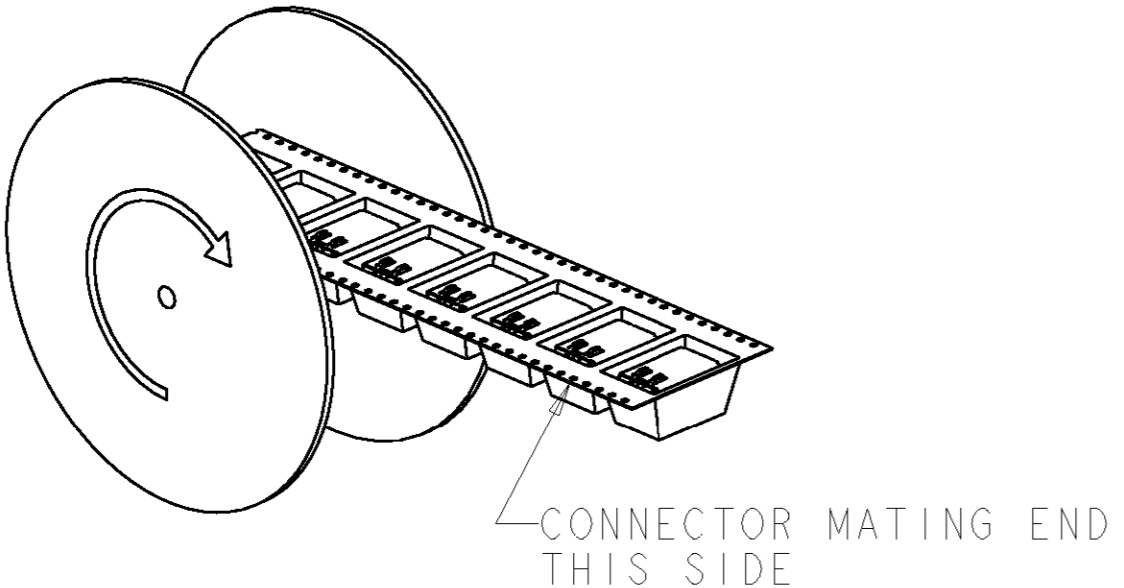
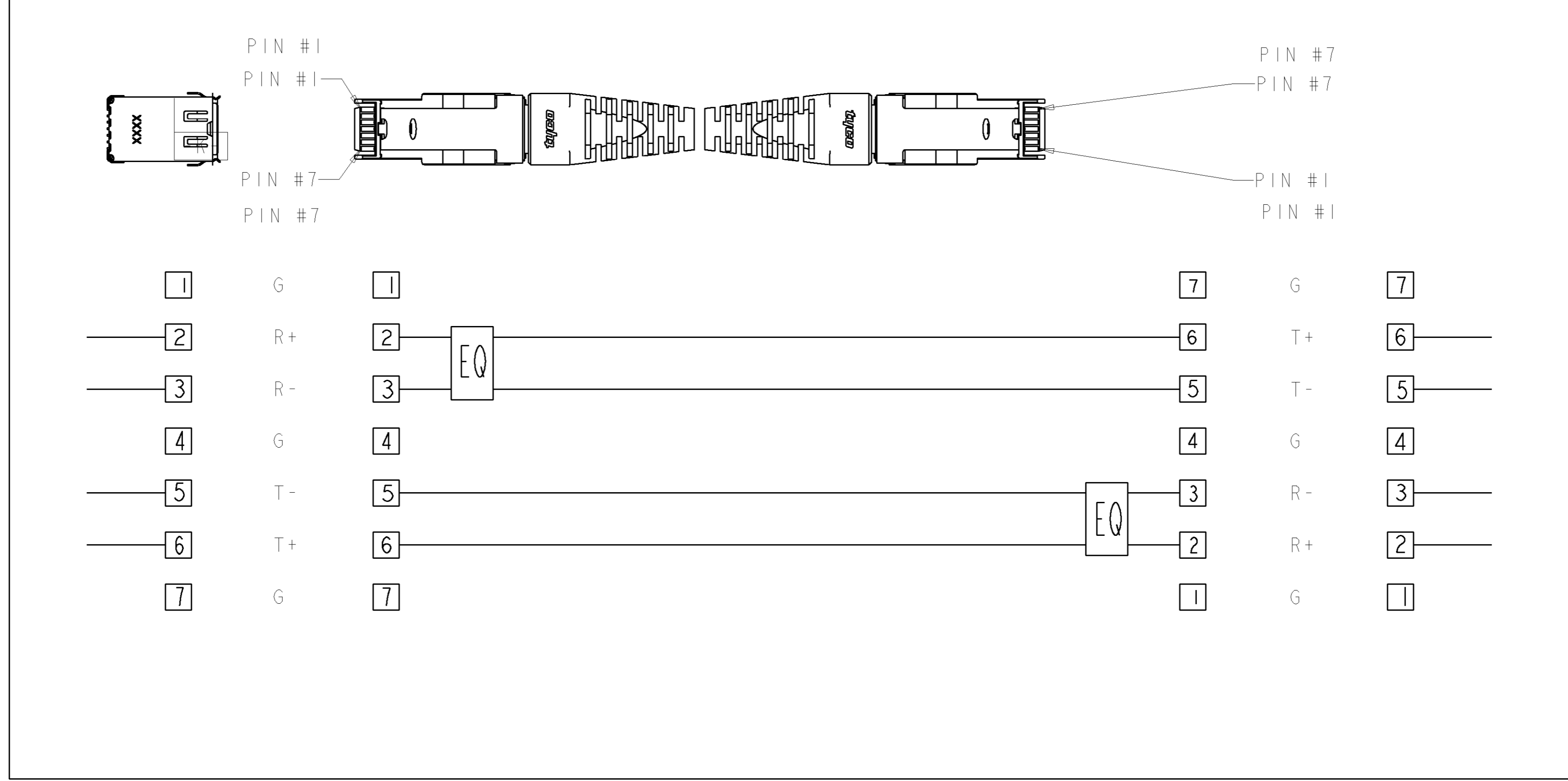


**COPYRIGHT 2004
 ALL RIGHTS RESERVED
 TYCO ELECTRONICS CORP**

THIS DRAWING IS A CONTROLLED DOCUMENT FOR TYCO ELECTRONICS CORPORATION IT IS SUBJECT TO CHANGE AND THE CONTROLLING ENGINEERING ORGANIZATION SHOULD BE CONTACTED FOR THE LATEST REVISION.		DWN J. GERACE 23APR04	tyco Electronics	Tyco Electronics Harrisburg, PA 17105-3608	
DIMENSIONS: mm		CHK C. ROHDE 23APR04		NAME RECEPTACLE ASSEMBLY, INFINIBAND, SURFACE MOUNT, SINGLE ROW, HSSDC2	
TOLERANCES UNLESS OTHERWISE SPECIFIED:		APVD M. WALMSLEY 23APR04	PRODUCT SPEC		
0 PLC ±		108-1965			
1 PLC ±		APPLICATION SPEC			
2 PLC ±0.13		114-13028			
3 PLC ±		WEIGHT			
4 PLC ±		A2 00779 C-1761069			
ANGLES ±°		CUSTOMER DRAWING			
FINISH -		SCALE 4:1 SHEET 2 OF 3 REV A2			

THIS DRAWING IS UNPUBLISHED. RELEASED FOR PUBLICATION 20
 © COPYRIGHT 20 BY TYCO ELECTRONICS CORPORATION. ALL RIGHTS RESERVED.

LOC	DIST	REVISIONS			
P	LTR	DESCRIPTION	DATE	DWN	APVD
GP	00	-	SEE SHEET 1	-	-



TAPE AND REEL
 PACKAGING ORIENTATION
 SCALE: NTS

PIN ASSIGNMENTS
 REFERENCE ONLY
 SCALE: NTS

**COPYRIGHT 2004
 ALL RIGHTS RESERVED
 TYCO ELECTRONICS CORP**

<small>THIS DRAWING IS A CONTROLLED DOCUMENT FOR TYCO ELECTRONICS CORPORATION IT IS SUBJECT TO CHANGE AND THE CONTROLLING ENGINEERING ORGANIZATION SHOULD BE CONTACTED FOR THE LATEST REVISION.</small>		DWN J.GERACE 23APR04 CHK C.ROHDE 23APR04 APVD M.WALMSLEY 23APR04	Tyco Electronics Harrisburg, PA 17105-3608
DIMENSIONS: mm		PRODUCT SPEC 108-1965 APPLICATION SPEC 114-13028	NAME RECEPTACLE ASSEMBLY, INFINIBAND, SURFACE MOUNT, SINGLE ROW, HSSDC2
TOLERANCES UNLESS OTHERWISE SPECIFIED: 0 PLC ± 1 PLC ± 2 PLC ±0.13 3 PLC ± 4 PLC ± ANGLES ± FINISH		WEIGHT -	SIZE A2 CAGE CODE 00779 DRAWING NO. C-1761069 RESTRICTED TO -
MATERIAL -		CUSTOMER DRAWING SCALE 4:1 SHEET 3 OF 3 REV	