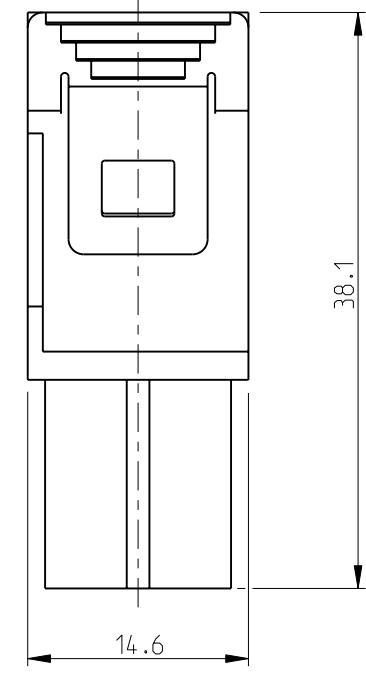
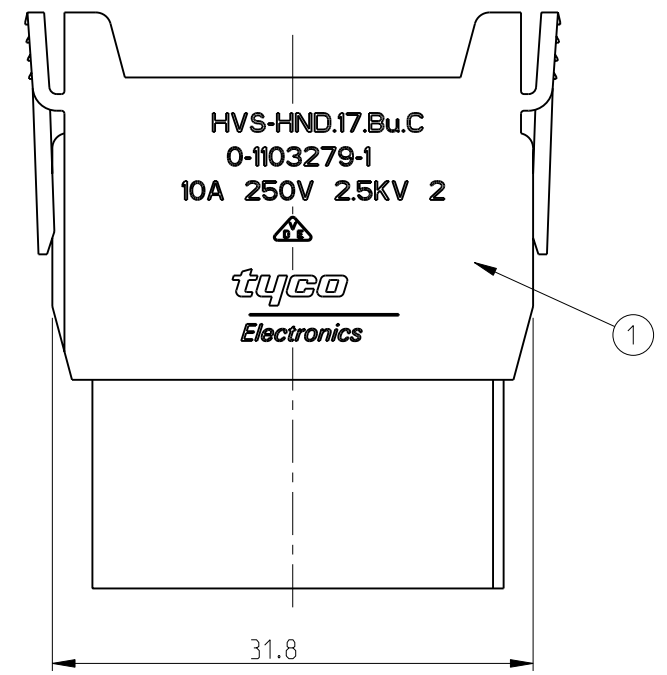
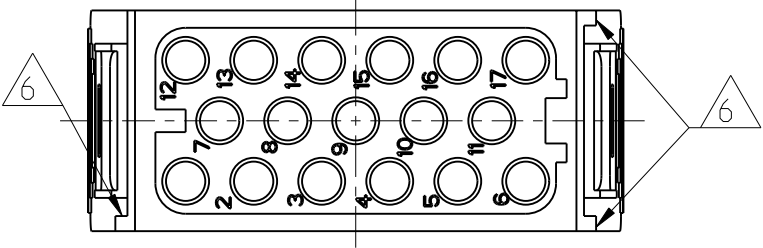


THIS DRAWING IS UNPUBLISHED. RELEASED FOR PUBLICATION 2000
 © COPYRIGHT 2000 BY TYCO ELECTRONICS CORPORATION. ALL RIGHTS RESERVED.

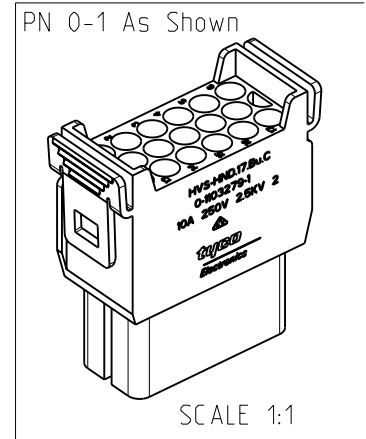
| LOC | DIST | REVISIONS | | | | |
|-----|------|---------------|------------|-----|------|--|
| P | LTR | DESCRIPTION | DATE | DWN | APVD | |
| | B1 | ECR-10-021590 | 26.10.2010 | SR | OH | |

PN 0-1 As Shown

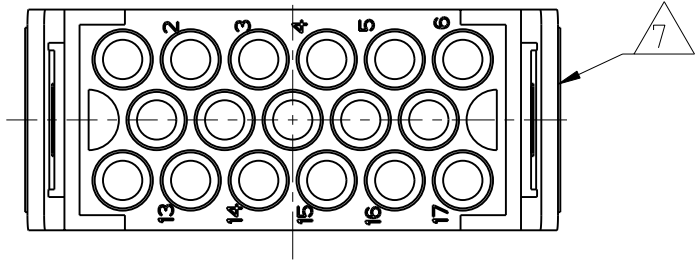
Contact arrangement
view from connecting side



- NOTES
- SUITABLE CRIMP CONTACTS: SERIES HN.D
CUSTOMER DRAWING: 1105050
OUTER DIMENSIONS OF INSULATION: MAX. Ø4mm
 - SUITABLE MODULE FIXING FRAME: SERIES HVS SIZE 3 TO 8
CUSTOMER DRAWING: 1103250
 - SUITABLE INSERTION TOOL:
CUSTOMER DRAWING: 1102855
 - SUITABLE EXTRACTION TOOL:
CUSTOMER DRAWING: 1102855
 - STANDARDS:
DIN EN 61984; DIN EN 60664-1
- 6 POLARIZATION RIPS
- 7 MARKING OF POLARIZATION ACCORDING TO MARKING OF MODULE FRAME
- 8 PACKAGING:
10 SETS IN A CARTON, PRE-MOUNTED



Contact arrangement
view from termination side



| QTY | DESCRIPTION | MATERIAL | COLOR | ITEM NO |
|---------------------------|---------------|----------|------------|---------|
| 1 | FEMALE INSERT | PC-GF20 | LIGHT GREY | 21 |
| PN 0-1 / HVS-HN.D.17.Bu.C | | | | |

| | | | | |
|--|--|---------------------------------|--|-----------------|
| THIS DRAWING IS A CONTROLLED DOCUMENT FOR TYCO ELECTRONICS CORPORATION IT IS SUBJECT TO CHANGE AND THE CONTROLLING ENGINEERING ORGANIZATION SHOULD BE CONTACTED FOR THE LATEST REVISION. | | DWN 20.02.2006 SCHNEIDER | Tyco Electronics AMP GmbH 53757 Sankt Augustin, Germany | |
| DIMENSIONS: mm | | CHK 20.02.2006 A.GAST | NAME FEMALE INSERT HVS-HND.17.BU.C | |
| TOLERANCES UNLESS OTHERWISE SPECIFIED: ISO 8075 DIN 150 2768 mH-E DIN 36901-120 | | APVD 20.02.2006 T.SCHNURPFIL | PRODUCT SPEC 108-74083 | |
| 0 PLC ± | | APPLICATION SPEC 114-74085 | RESTRICTED TO | |
| 1 PLC ± | | WEIGHT | SIZE A3 | CAGE CODE 00779 |
| 2 PLC ± | | CUSTOMER DRAWING | DRAWING NO C-1103279 | |
| 3 PLC ± | | | SCALE 2:1 | SHEET 1 OF 1 |
| 4 PLC ± | | | | REV B1 |
| ANGLES ± | | | | |
| FINISH | | | | |