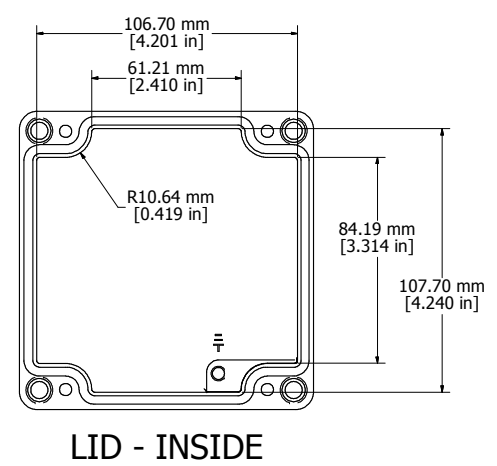
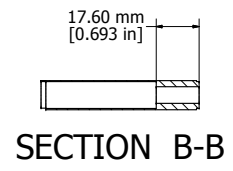
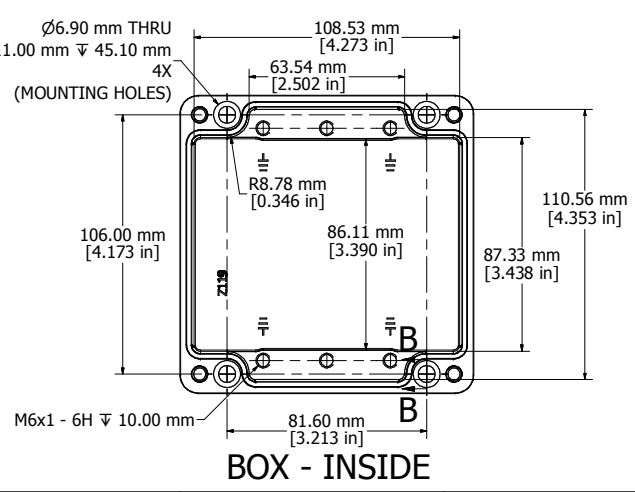
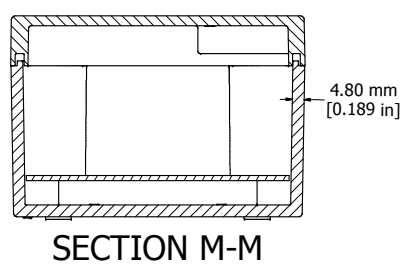
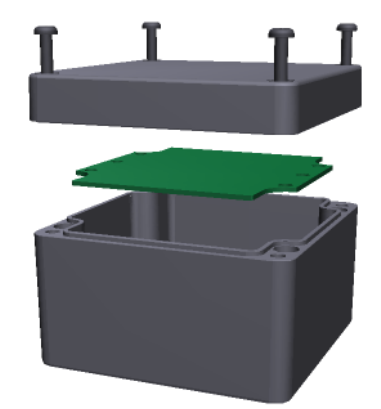
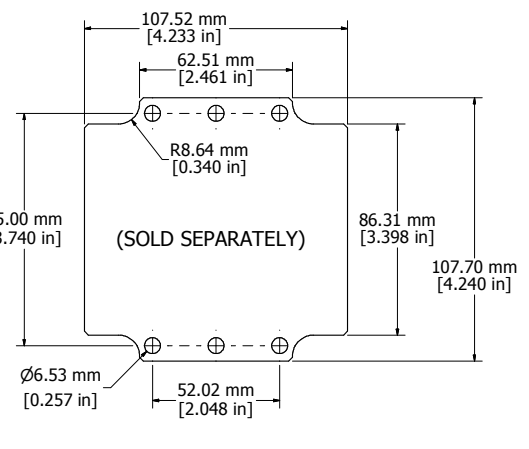
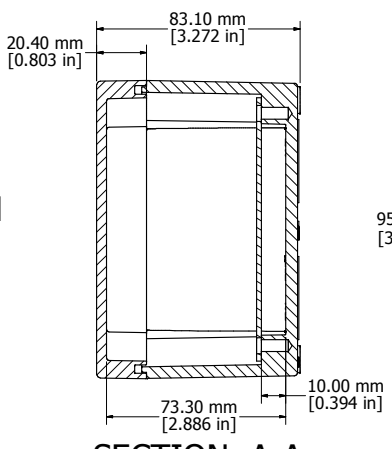
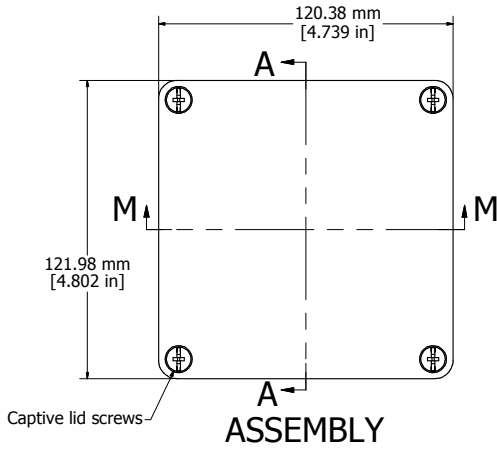


8 | 7 | 6 | 5 | 4 | 3 | 2 | 1



**UL** US LISTED  
File #E65324  
NEMA 4, 4X

Enclosures can be Factory Modified ( Milling, Drilling, Printing etc. )  
Contact Factory [mjm@hammondmfg.com](mailto:mjm@hammondmfg.com) for quotes  
Solid models of this enclosure available in STEP or IGES.

NOTES	
Purchased assembly includes enclosure, M6x35 lid screws and M6x10 ground screws.	
Gasket - Preformed Silicone Rubber	
Cover screws should be torqued to 15-17 lbf.in (150-170 cN.m)	

1590Z119	
PART NUMBERS	
Basic Enclosure	1590Z119
Black Enclosure	1590Z119BK
Grey Enclosure - RAL7001 Gloss	1590Z119GY
ACCESSORIES	
Inner Panel	1590Z119PL



8 | 7 | 6 | 5 | 4 | 3 | 2 | 1