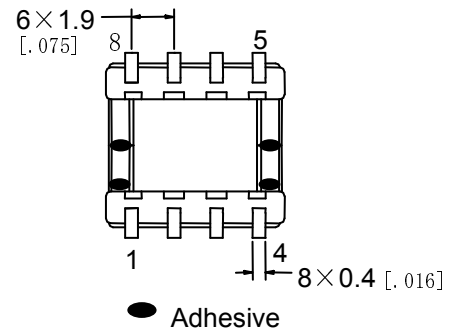
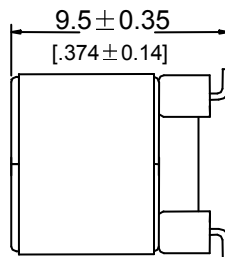
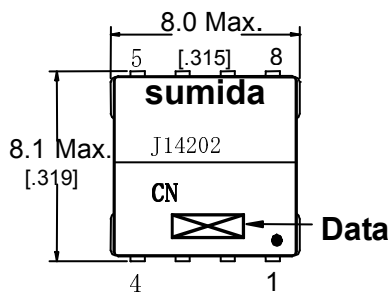
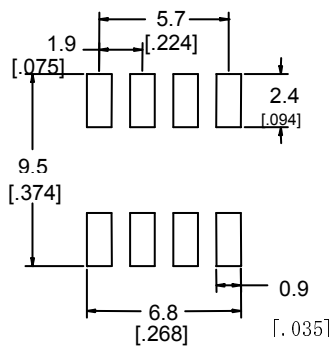
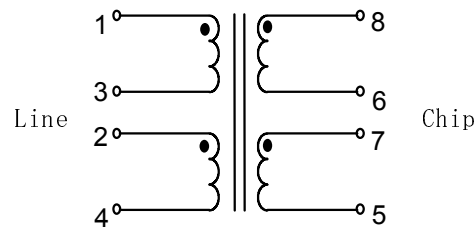


**Type: CEP710B**
**◆ Product Description**

- 8.1 × 8.0mm Max. (L × W), 9.85mm Max. height.
- Custom design is available.


**◆ Feature**

- VDSL line transformer.
- Ideally used in VDSL/VDSL2 CO equipments.
- Approved by Broadcom (BCM6511/6526, BCM6516/6524) and Alcatel.
- RoHS Compliance

**◆ Dimensions (mm)**

**◆ Land Pattern (mm)**

**◆ Schematics (Bottom)**

**◆ Specification**

Part No.	Inductance (μH)	Turns ratio	THD (dB) (TYP.)	Insulation	Application
J14202	420 ±10%	2.5: 1	-60dB(30K, 3.0V)	Functional	VDSL2 CO
J14207	420 ±10%	2.5: 1	-60dB(30K, 3.0V)	Functional	VDSL2 CO
J14208	100 ±10%	2.5: 1	-80dB(100KHz, 3.0V)	Functional	VDSL2 CO
J14214	420 ±10%	2: 1	-60dB(30K, 3.0V)	Functional	VDSL2 CO
J14215	100 ±10%	2: 1	-80dB(100KHz, 3.0V)	Functional	VDSL2 CO