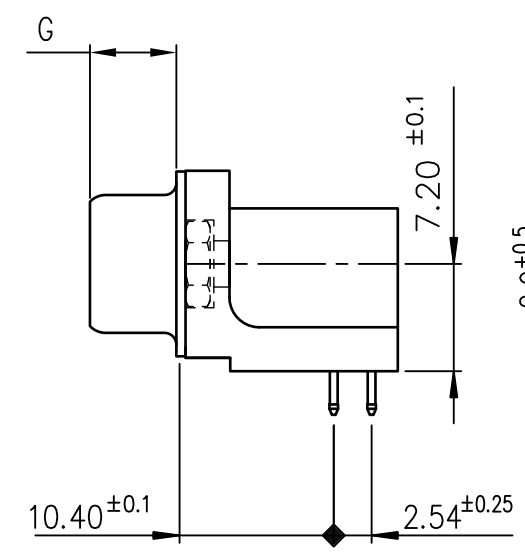
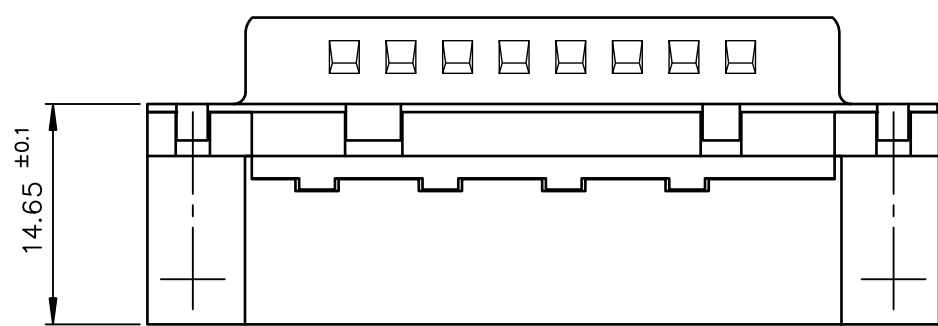
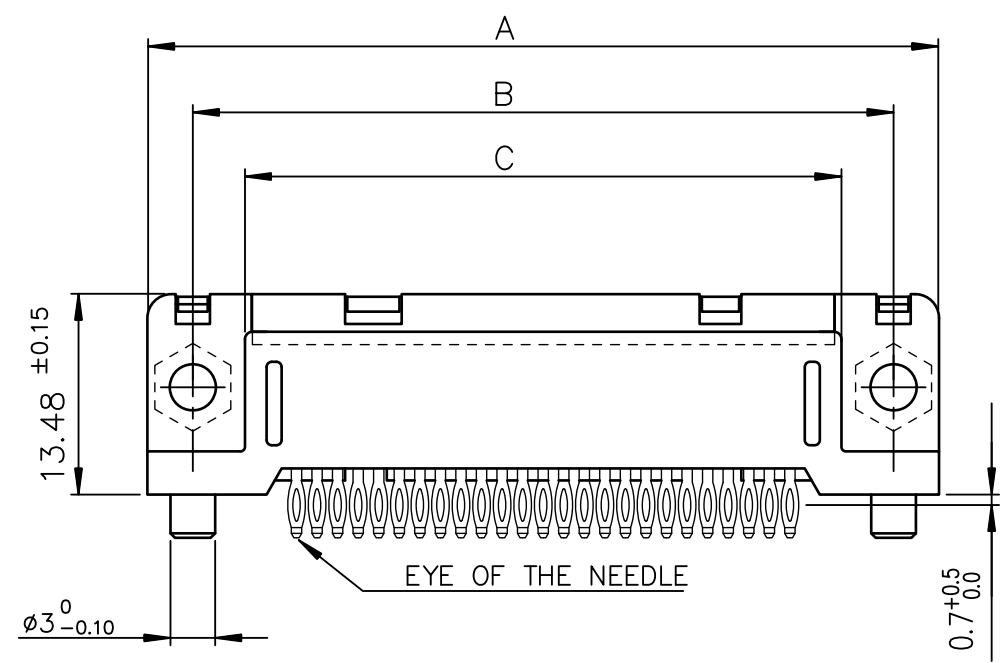


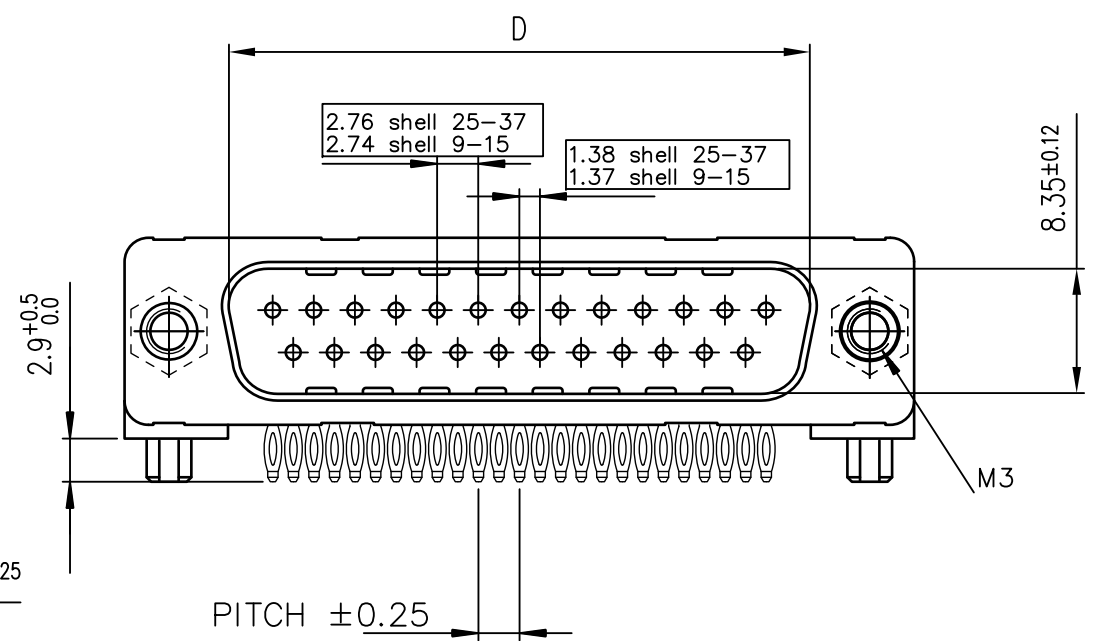
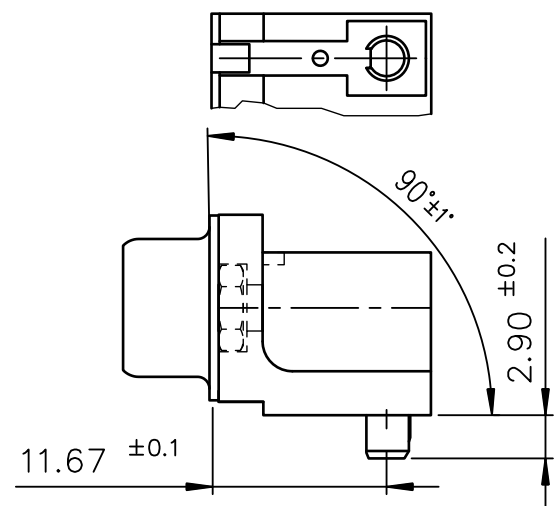


FCIconnect.com

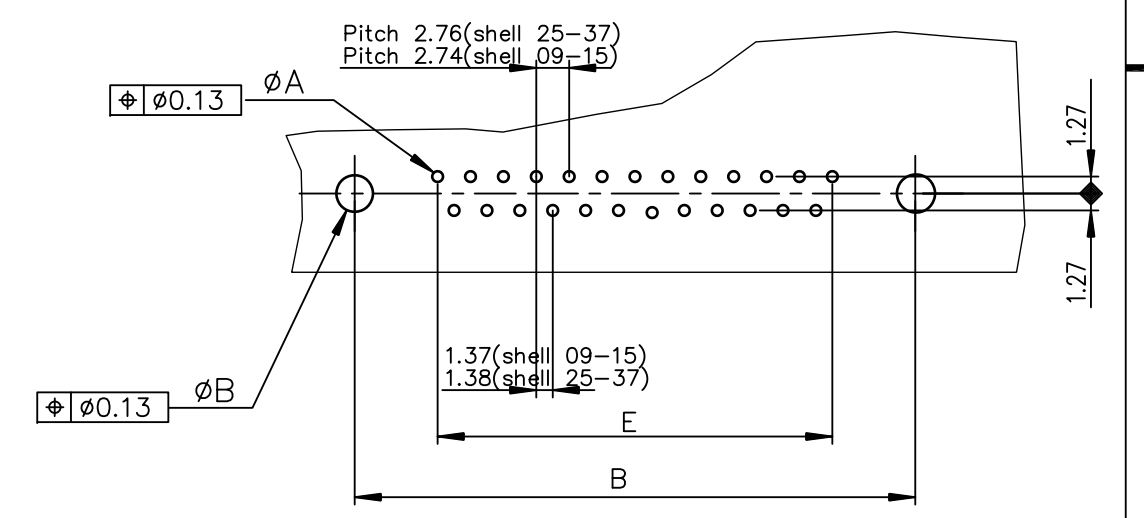
Copyright FCI



Detail of grounding strip



PC card drilling dimensions(after plating)  
(thickness 1.60 ±0.20)



TIN LEAD PART NUMBER

SHELL	A±0.38	B±0.12	C±0.10	D +0.25	E±0.07	G	PART NUMBER	PART NUMBER
09	30.81	24.99	18.00	16.79	10.96	5.90 +0.15	D09P81C4PL00	D09P81C6PL00
15	39.14	33.32	26.32	25.12	19.18	5.90 +0.15	D15P81C4PL00	D15P81C6PL00
25	53.03	47.04	40.04	38.84	33.12	5.70 +0.25	D25P81C4PL00	D25P81C6PL00
37	69.32	63.50	56.50	55.30	49.68	5.70 +0.25	D37P81C4PL00	D37P81C6PL00
							Gold flash	0.76 µ gold

LEAD FREE PART NUMBER

SHELL	A±0.38	B±0.12	C±0.10	D +0.25	E±0.07	G	PART NUMBER	PART NUMBER
09	30.81	24.99	18.00	16.79	10.96	5.90 +0.15	D09P81C4PL00LF	D09P81C6PL00LF
15	39.14	33.32	26.32	25.12	19.18	5.90 +0.15	D15P81C4PL00LF	D15P81C6PL00LF
25	53.03	47.04	40.04	38.84	33.12	5.70 +0.25	D25P81C4PL00LF	D25P81C6PL00LF
37	69.32	63.50	56.50	55.30	49.68	5.70 +0.25	D37P81C4PL00LF	D37P81C6PL00LF
							Gold flash	0.76 µ gold

GENERAL CHARACTERISTICS AND ROHS INFORMATIONS:

SEE DRAWING C01-8646-0001

mat'l. code		surface ISO 1302		tolerance ISO 406 ISO 1101		projection		product family	
-		✓		ISO 406 ISO 1101		MM		D-SUB	
ltr		ecn no		dr		date		title	
G		ELX-I-18050		MP		2014/06/23		MALE CONNECTOR DELTA-D EUROPE RIGHT ANGLED PRESS FIT	
angles		linear		.0±0.1		.00±0.1		dwg no	
0°±2°								sheet 1 of 1	
dr		JOURBERT		1996/12/06		scale 2:1		size	
enr		MITHUN PAUL		2014/06/23		FCI		A3	
chr		ALIAS BABU		2014/06/23		C01-8646-0583		type	
appd		BIJU K PAUL		2014/06/23		Product Customer Drawing			
sheet index		revision sheet		G		1			