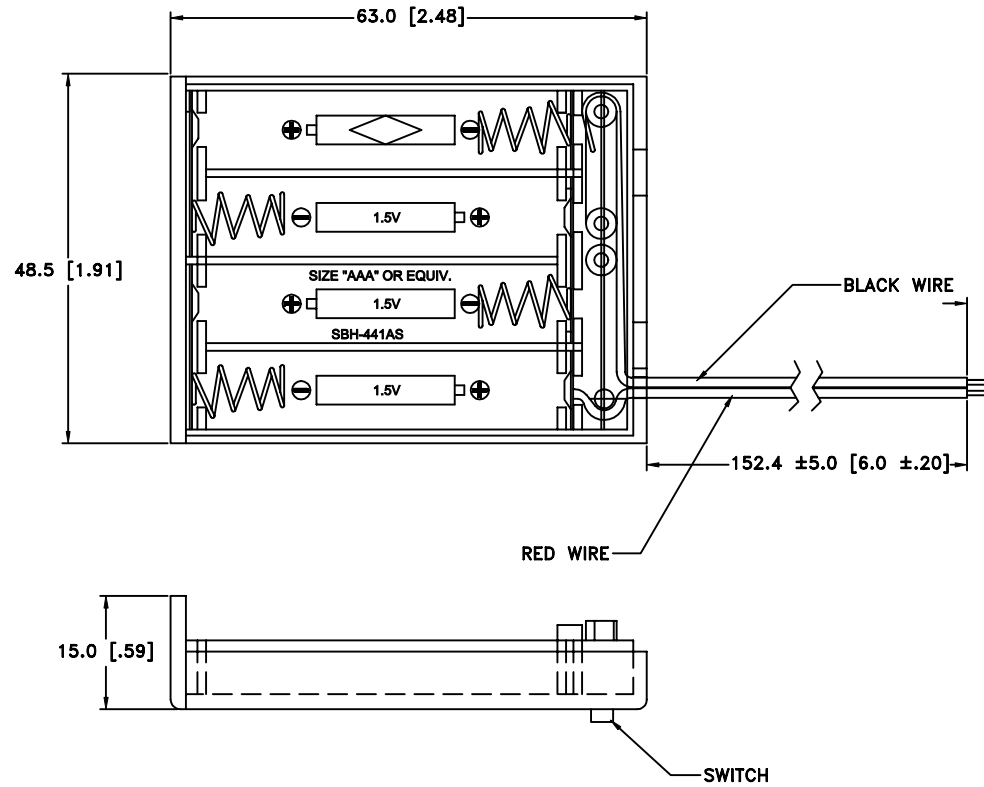
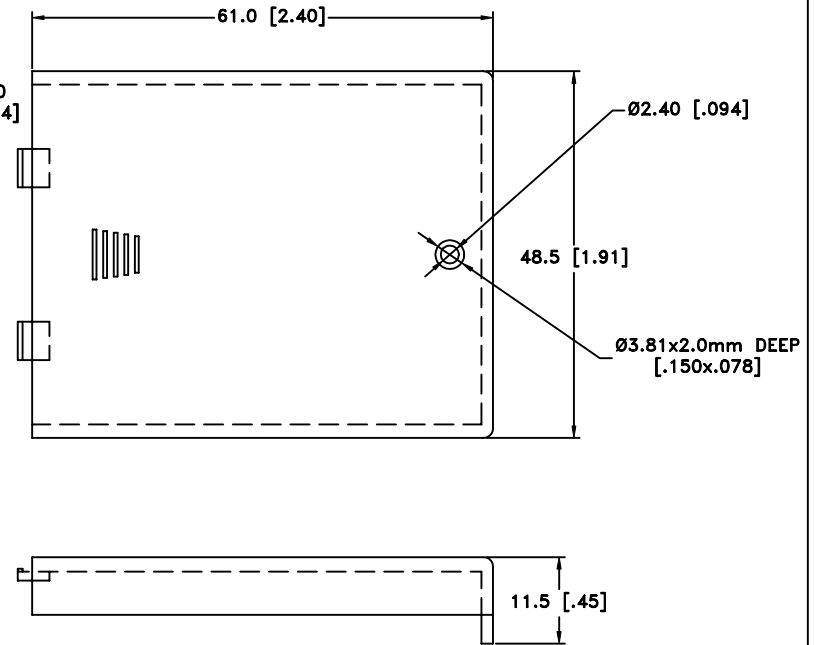


Date	SYM	REVISION RECORD	AUTH	DR.	CK.




BOTTOM-HOUSING



TOP COVER

NOTES:

1. ITEM NO. SBH-441AS
2. MATERIAL:
 HOUSING AND COVER: BLACK ABS
 WIRE: UL1007, AWG #26, BLACK AND RED-152.4mm LONG,
 STRIPPED AND TINNED- 5mm LONG
 SPRING: 0.5mm, 65C, SPRING WIRE

Tolerance (Except as noted)	 Memory Protection Devices, Inc 200 Broad Hollow Road, Farmingdale, New York 11735		
decimal ±.5 (.020)	Scale	Drawn By B.S.	
Fractional ± .8 (.030)	Title	Approved By T.B.	
Angular ± 3°	Date 04/07/01	Drawing Number SBH-441AS	
		4 CELL "AAA" HOLDER WITH COVER AND SWITCH	