

4

3

2

1

THIS DRAWING IS UNPUBLISHED.

RELEASED FOR PUBLICATION

20

© COPYRIGHT 20 BY -

ALL RIGHTS RESERVED.

REVISIONS

P	LTR	DESCRIPTION	DATE	DWN	APVD
	A	INITIAL RELEASE	06APR2015	GY	CW
	B	ECR-15-013759	12OCT2015	DW	CW
	B1	ECR-16-015492	16NOV2016	QY	CW

PANEL CUT FOR INSERTS FOR USING
WITHOUT HOODS/ HOUSINGS

不使用防护外壳时芯件的安装开孔图

4X M3 SCREW, RECOMMENDED
TIGHTENING TORQUE 0.5Nm
4X M3螺丝, 推荐锁紧力矩0.5Nm

M4 SCREW, RECOMMENDED
TIGHTENING TORQUE 1.2Nm
M4螺丝, 推荐锁紧力矩1.2Nm

NOTES:

- TECHNICAL CHARACTERISTICS:
INSULATION MATERIAL: PC
RATED VOLTAGE: 500V
RATED CURRENT: 16A
INSULATION RESISTANCE: $\geq 400M\Omega$
RATED IMPULSE VOLTAGE: 6KV
POLLUTION DEGREE: 3
FLAMMABILITY: UL94V-0
MATING CYCLES: 500 CYCLES
WIRE RANGE: $0.14mm^2 \sim 4mm^2$ (AWG26-AWG12)
CONTACT TYPE: CRIMP CONTACT
- CONTACTS NEED TO BE ORDERED SEPARATELY.
(ORDER No. REFER TO DRAWING: T20300X20XX000)

注释:

- 技术参数:
绝缘材料: PC
额定电压: 500V
额定电流: 16A
绝缘电阻: $\geq 400M\Omega$
脉冲电压: 6KV
污染等级: 3
阻燃等级: UL94V-0
插拔次数: 500次
接线范围: $0.14mm^2 \sim 4mm^2$ (AWG26-AWG12)
接线类型: 冷压接
- 端子需要单独订购。
(订货号参考图面: T20300X20XX000)

TYPE-1, T2040064201-000, TE LOGO
类型-1, T2040064201-000, TE LOGO

THIS DRAWING IS A CONTROLLED DOCUMENT.

DIMENSIONS:	TOLERANCES UNLESS OTHERWISE SPECIFIED:
mm	
	0 PLC ± 0.15
	1 PLC ± 0.25
	2 PLC ± 0.30
	3 PLC ± 0.40
	4 PLC ± 0.50
	ANGLES ± 0.15
MATERIAL	FINISH
-	-
-	-

DWN 06APR2015

Gino.Yao

CHK 06APR2015

Chris.Wang

APVD 06APR2015

Xiang.Xu

PRODUCT SPEC

108-137044

APPLICATION SPEC

114-137044

WEIGHT

-

Customer Drawing

TE Connectivity

NAME

HE-006-FC

SIZE

A3

CAGE CODE

00779

DRAWING NO

T2040064201000

RESTRICTED TO

-

SCALE

1:1

SHEET

1 OF 2

REV

B1

1470-19 (3/13)

THIS DRAWING IS UNPUBLISHED.

RELEASED FOR PUBLICATION

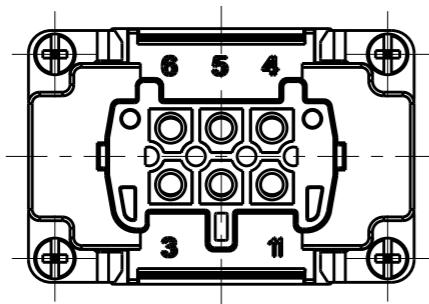
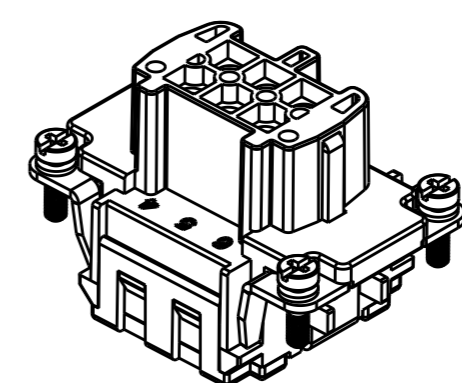
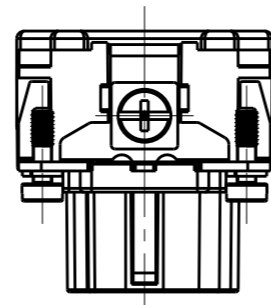
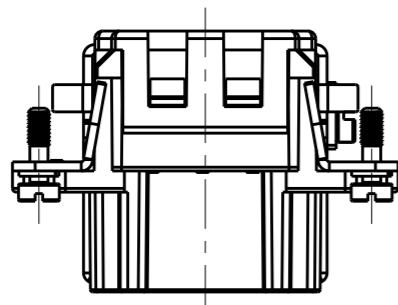
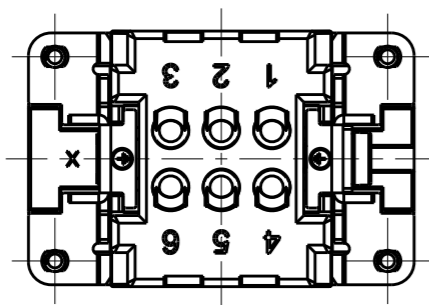
20

© COPYRIGHT 20 BY -

ALL RIGHTS RESERVED.

REVISIONS

P	LTR	DESCRIPTION	DATE	DWN	APVD
-		SEE SHEET 1	-	-	-



NOTE:
SEE SHEET 1
注释:
见页 1

TYPE-2, T2040064201-001, STAINLESS STEEL SCREW, NO LOGO
类型-2, T2040064201-001, 不锈钢螺丝, 无LOGO

T2040064201-001	HE-006-FC	HE-006 FEMALE INSERT, CRIMPING, STAINLESS STEEL SCREW, NO LOGO HE-006母插, 冷压针, 不锈钢螺丝, 无LOGO	TYPE-2 类型-2
T2040064201-000	HE-006-FC	HE-006 FEMALE INSERT, CRIMPING HE-006母插, 冷压针	TYPE-1 类型-1
PART NUMBER 料号	PART DESCRIPTION 描述		TYPE 类型

ALL SPEC DIMENSION REFER TO TYPE 1
所有产品规格尺寸参照 TYPE 1

THIS DRAWING IS A CONTROLLED DOCUMENT.		DWN Gino.Yao 06APR2015		
DIMENSIONS: mm		CHK Chris.Wang 06APR2015		
TOLERANCES UNLESS OTHERWISE SPECIFIED:		APVD Xiang.Xu 06APR2015	NAME HE-006-FC	
0 PLC ±-		PRODUCT SPEC 108-137044	SIZE A3	
1 PLC ±-		APPLICATION SPEC 114-137044	CAGE CODE 00779	DRAWING NO T2040064201000
2 PLC ±-		WEIGHT -	RESTRICTED TO -	
3 PLC ±-		Customer Drawing	SCALE 1:1	
4 PLC ±-			SHEET 2 OF 2	
ANGLES ±-		REV B1		
FINISH -				
MATERIAL -				