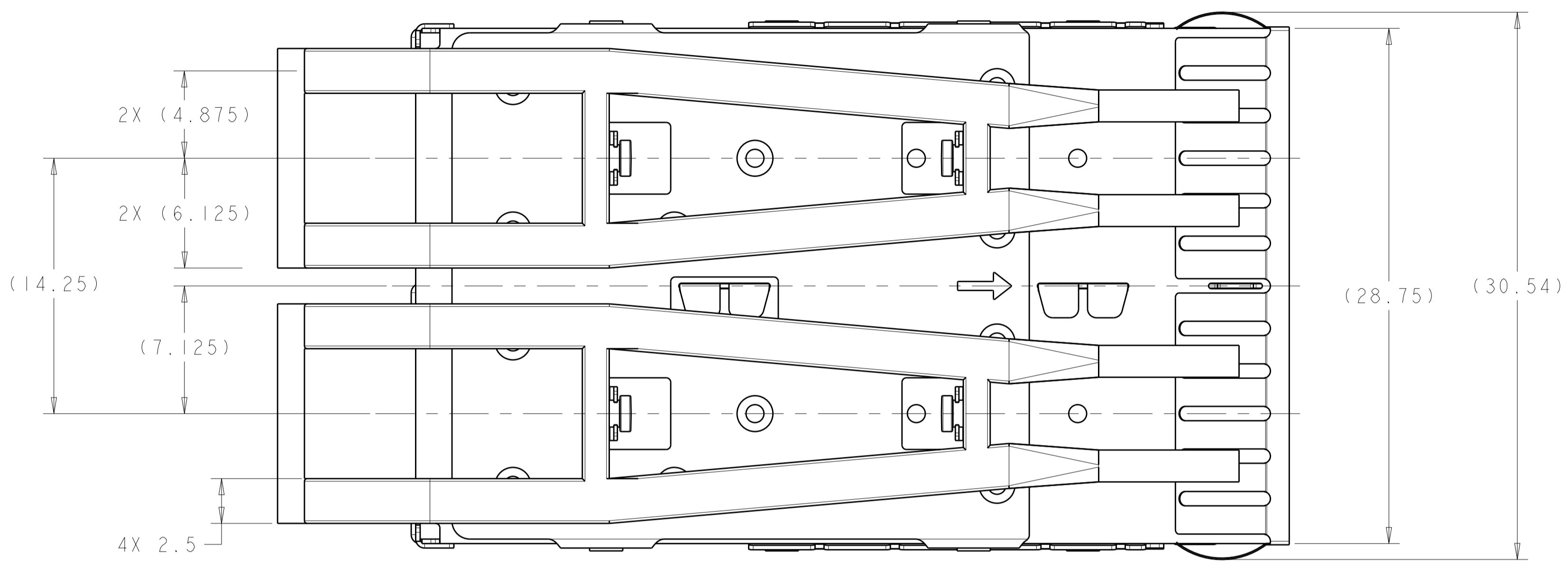
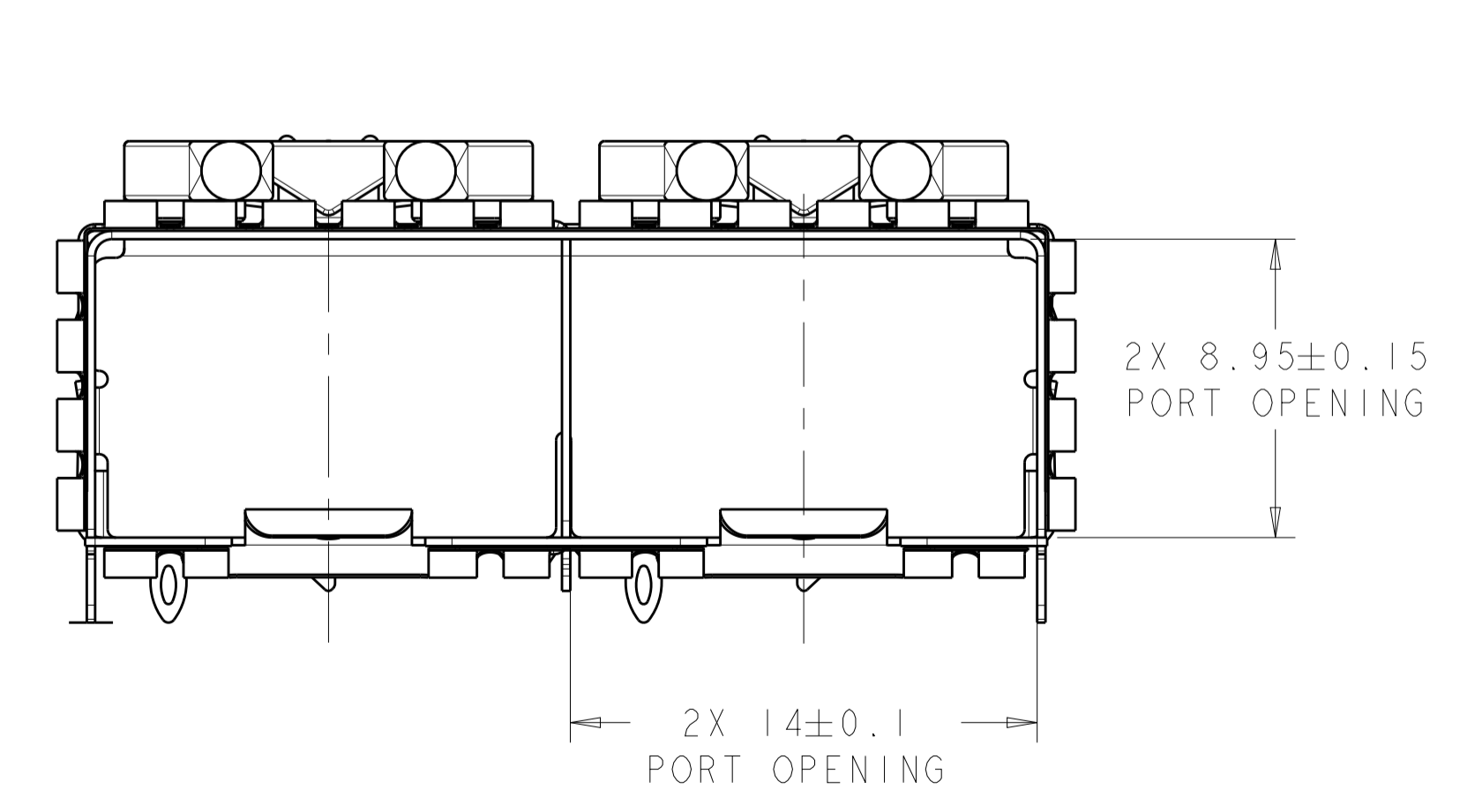
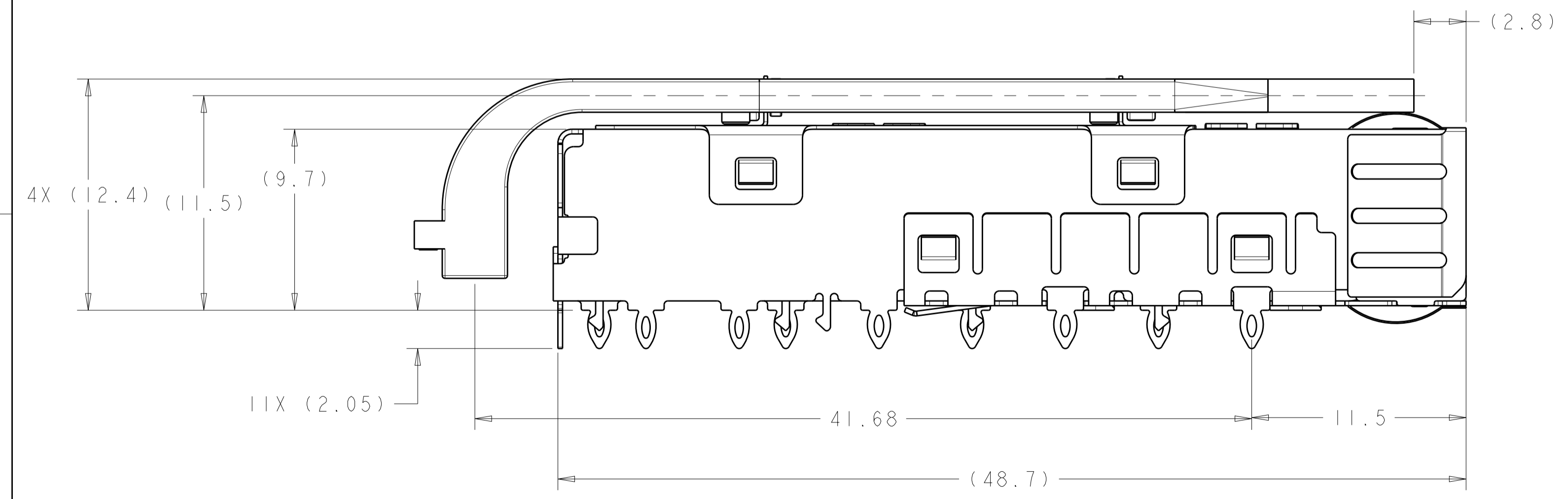
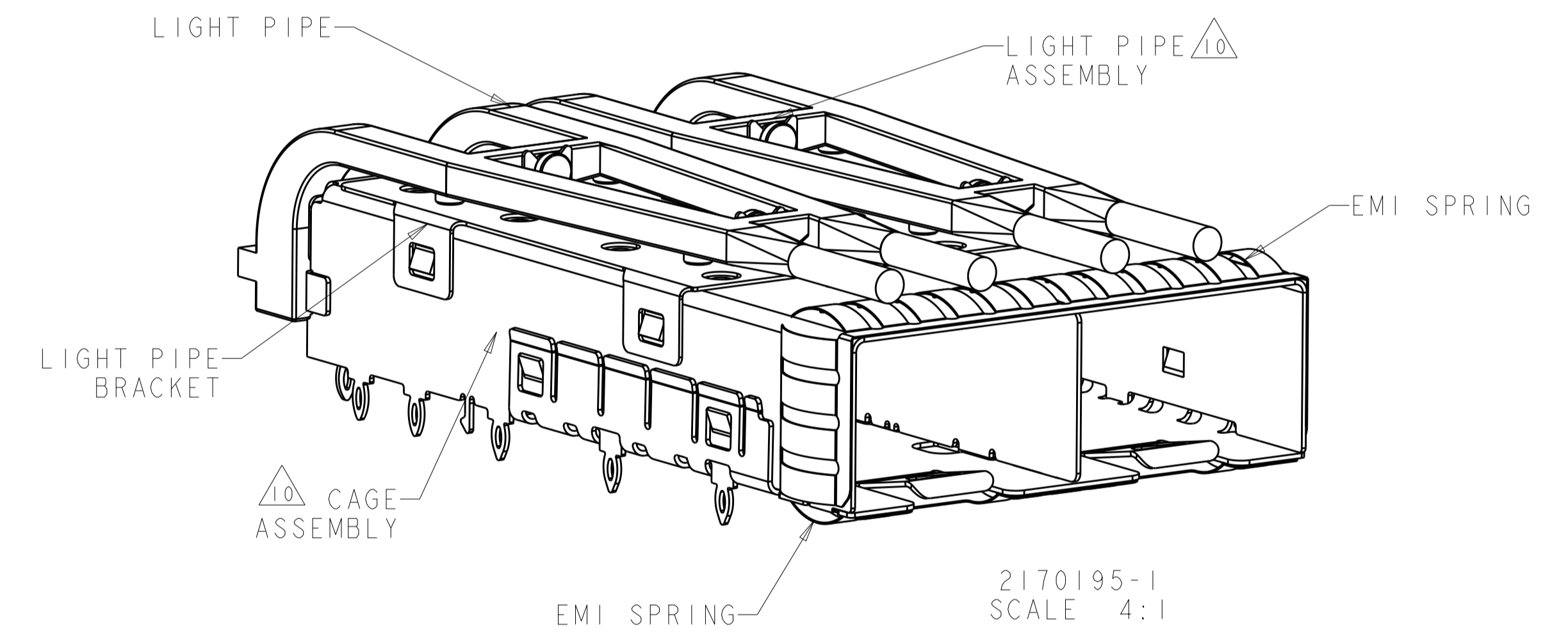


LOC	DIST	REVISIONS					
GP	00	P	LTN	DESCRIPTION	DATE	DWN	APVD
		A		PRODUCTION RELEASE	29FEB2016	JW	SH



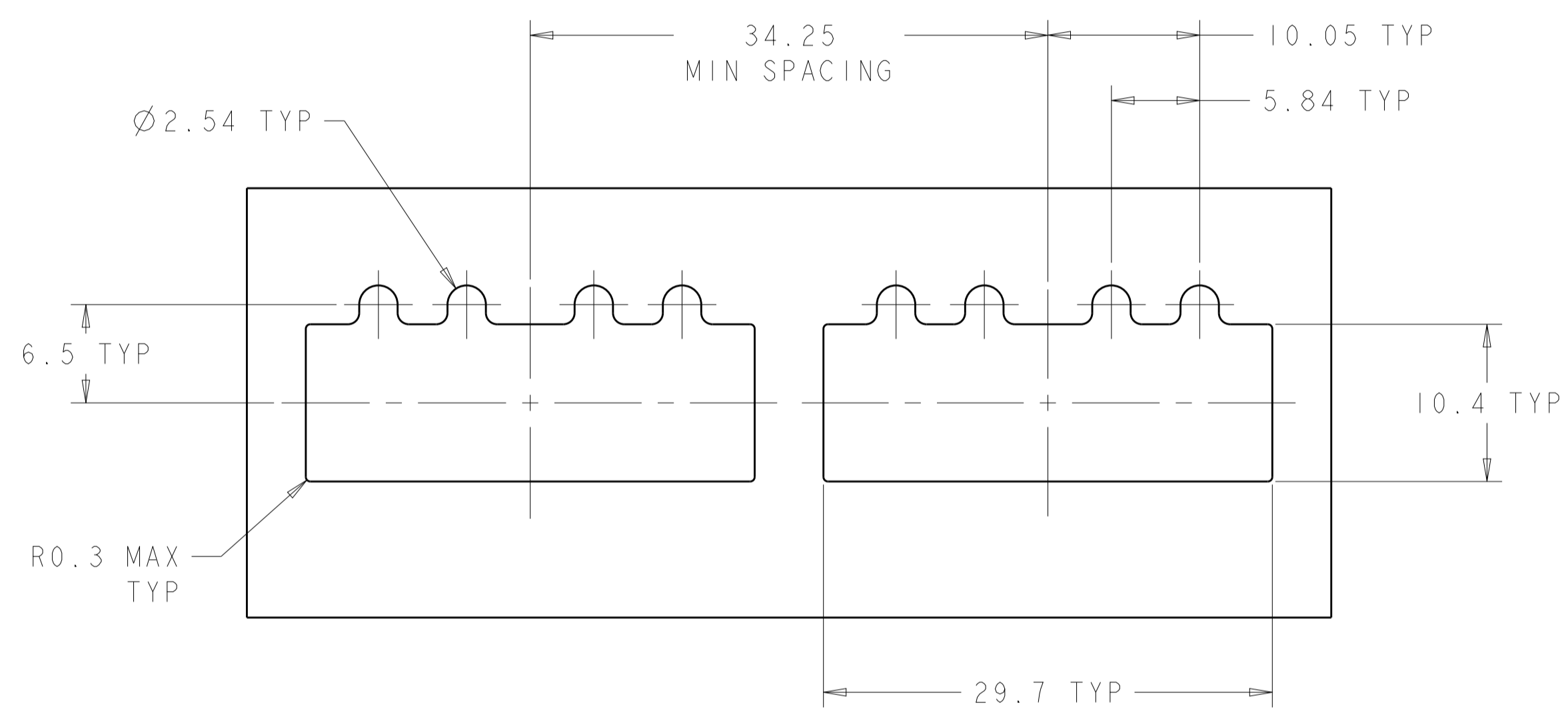
- △ MATERIAL:
CAGE ASSEMBLY: NICKEL SILVER ALLOY
EMI SPRING: PHOSPHOR BRONZE
LIGHT PIPE BRACKET: STAINLESS STEEL
LIGHT PIPE: POLYCARBONATE, CLEAR.
- △ DATUM AND BASIC DIMENSION ESTABLISHED BY CUSTOMER.
- 3. MATES WITH SFP MSA COMPLIANT TRANSCEIVERS.
- △ PADS AND VIAS CHASSIS GROUND.
- 5. INTERPRETATION OF DATUM REFERENCE FRAME IN ACCORDANCE WITH SECT 4.4.1.1 OF ASME Y14.5M-1994.
- △ MINIMUM PC BOARD THICKNESS:
SINGLE SIDED: 1.45mm.
- △ HOLE PATTERN REPEATS FOR EACH PORT, SPACING BETWEEN PORTS IS 14.25mm.
- △ REFERENCE APPLICATION SPEC 114-13120, HOLE A, FOR RECOMMENDED DRILL HOLE DIAMETER AND PLATING THICKNESS.
- △ REFERENCE APPLICATION SPEC 114-13120, HOLE B, FOR RECOMMENDED DRILL HOLE DIAMETER AND PLATING THICKNESS.
- △ LIGHT PIPE ASSEMBLY SHIPPED UNASSEMBLED TO CAGE ASSEMBLY, CAGE ASSEMBLY TO BE PRESSED INTO THE PC BOARD PRIOR TO ATTACHING THE LIGHT PIPE ASSEMBLY TO THE CAGE ASSEMBLY.



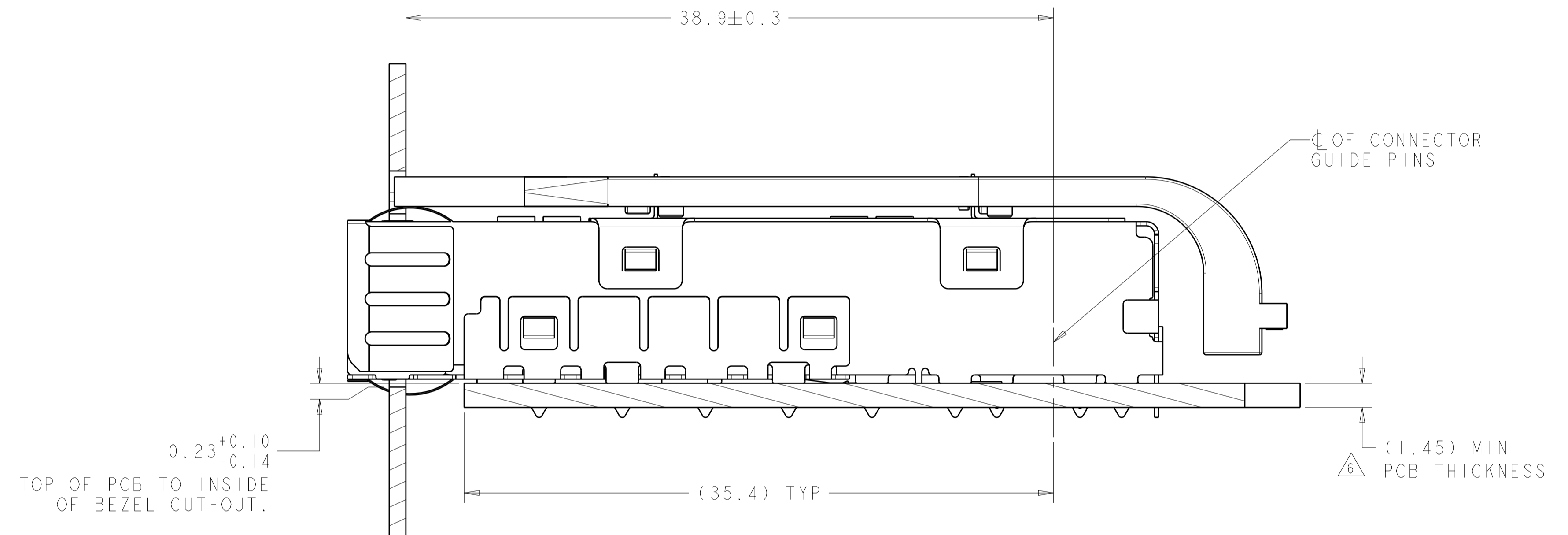
2170195-1
PART NUMBER

THIS DRAWING IS A CONTROLLED DOCUMENT.		DWN: JASON YANG 23NOV2011	TE Connectivity	
DIMENSIONS: mm		CHK: ALEX CAI 23NOV2011		
TOLERANCES UNLESS OTHERWISE SPECIFIED:		APVD: ALEX CAI 23NOV2011	NAME: SFP+ 1X2 CAGE ASSEMBLY WITH LIGHT PIPES, PRESS FIT, EMI SPRING	
0 PLC	±0.2	PRODUCT SPEC	SIZE: CAGE CODE DRAWING NO. RESTRICTED TO	
1 PLC	±0.2	108-2364	A100779C=2170195	
2 PLC	±0.20	APPLICATION SPEC	SCALE: 5:1 SHEET 1 OF 3 REV A	
3 PLC	±	114-13120		
4 PLC	±	WEIGHT		
ANGLES	±	CUSTOMER DRAWING		
MATERIAL	FINISH			

LOC	DIST	REVISIONS					
GP	00	P.	LTN	DESCRIPTION	DATE	DWN	APVD
-	-	-	-	SEE SHEET 1	-	-	-



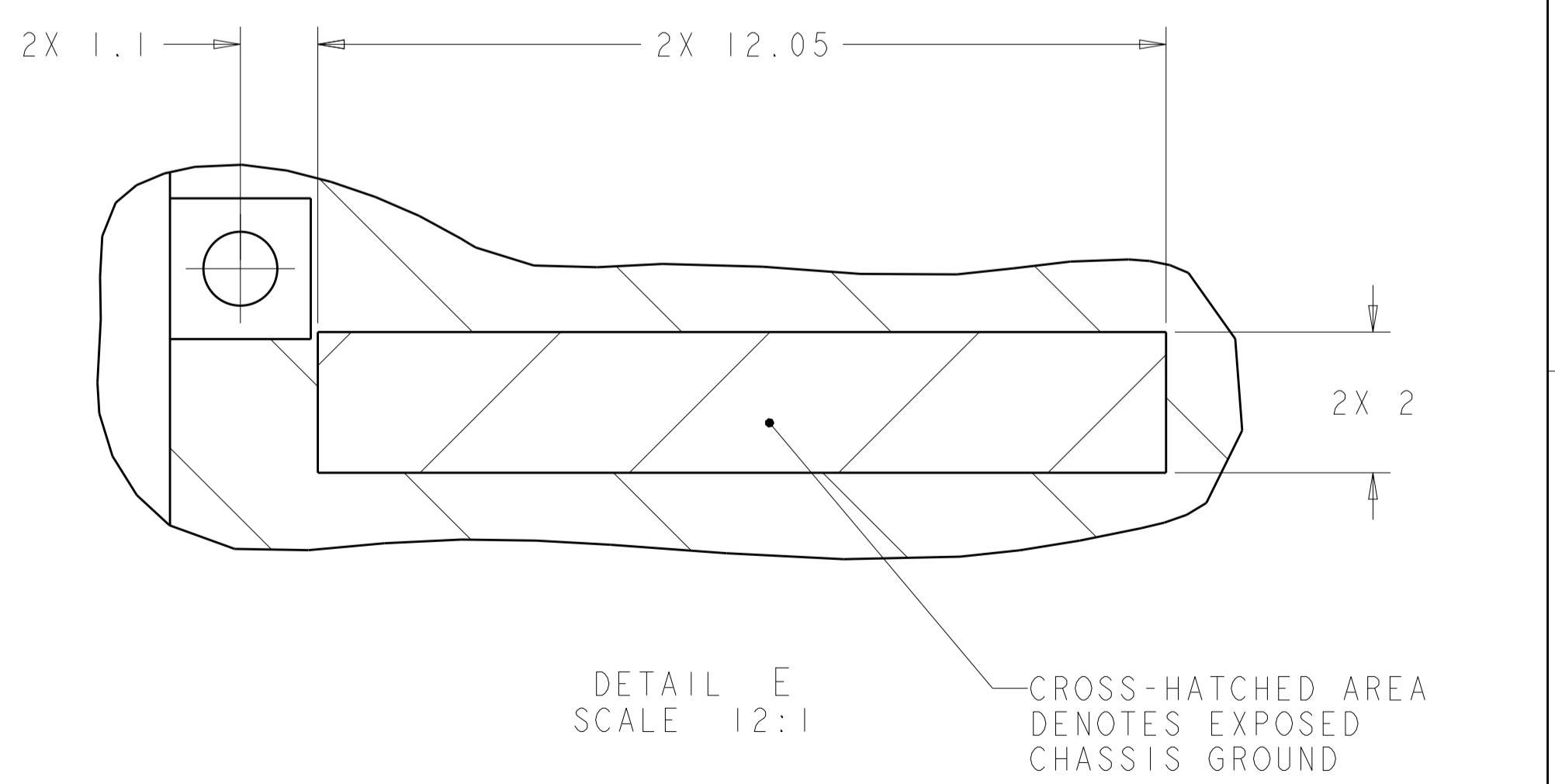
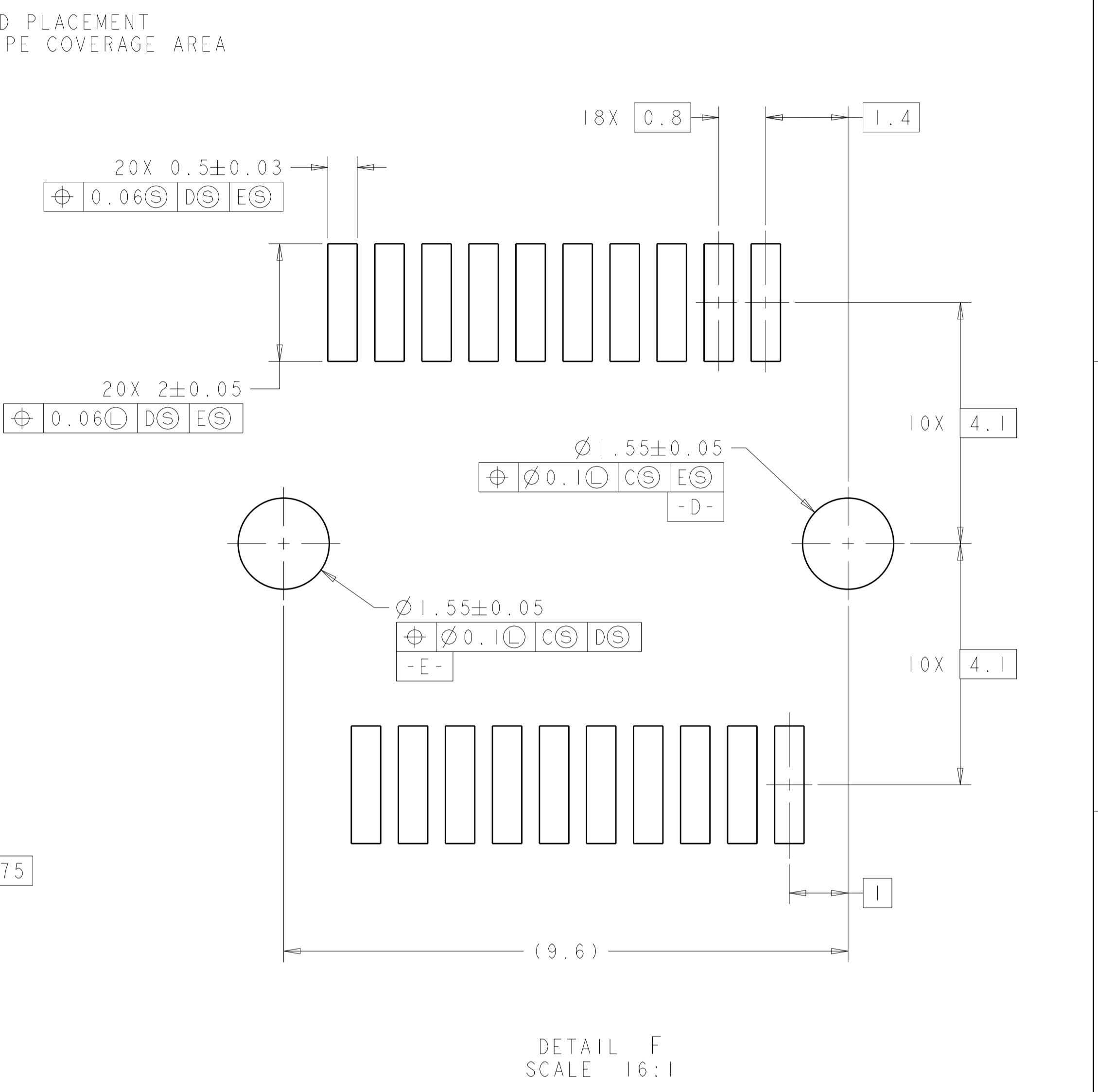
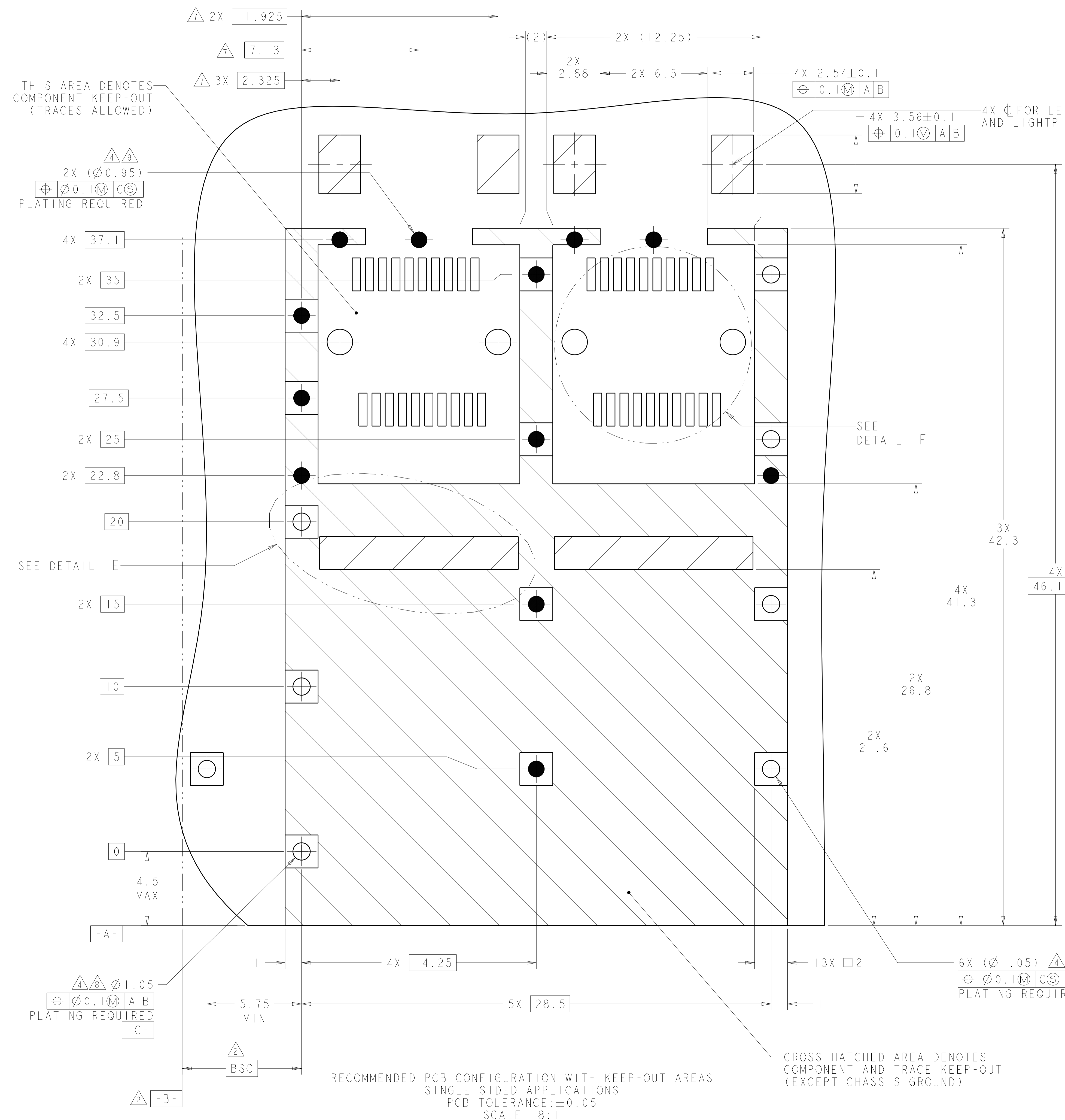
RECOMMENDED BEZEL CUT-OUT
 PANEL TOLERANCE: ±0.1
 SCALE 3:1



SECTION J-J
 MOUNTED ON PCB
 SHOWN THRU RECOMMENDED BEZEL

THIS DRAWING IS A CONTROLLED DOCUMENT.		DWN: JASON YANG 23NOV2011	
DIMENSIONS: mm		CHK: ALEX CAI 23NOV2011	
TOLERANCES UNLESS OTHERWISE SPECIFIED:		APVD: ALEX CAI 23NOV2011	NAME: SFP+ 1X2 CAGE ASSEMBLY WITH LIGHT PIPES, PRESS FIT, EMI SPRING
0 PLC ±0.2	1 PLC ±0.2	PRODUCT SPEC 108-2364	SIZE: CAGE CODE DRAWING NO. RESTRICTED TO
2 PLC ±0.20	3 PLC ±	APPLICATION SPEC 114-13120	A100779C=2170195
4 PLC ±	ANGLES ±	WEIGHT	SCALE 5:1 SHEET 2 OF 3 REV A
MATERIAL	FINISH	CUSTOMER DRAWING	

LOC	DIST	REV	DATE	APPD	REV
GP	00				
REVISIONS			DESCRIPTION	DATE	DWN
			SEE SHEET 1		



THIS DRAWING IS A CONTROLLED DOCUMENT.		DWN: JASON YANG 23NOV2011	TE Connectivity	
DIMENSIONS: mm		CHK: ALEX CAI 23NOV2011	NAME: SFP+ 1X2 ASSEMBLY WITH LIGHT PIPES, PRESS FIT, EMI SPRING	
TOLERANCES UNLESS OTHERWISE SPECIFIED:		APPD: ALEX CAI 23NOV2011	SIZE: CAGE CODE DRAWING NO: A100779C=2170195	
0 PLC	±0.2	PRODUCT SPEC	RESTRICTED TO	
1 PLC	±0.2	108-2364	SCALE 5:1 SHEET 3 OF 3 REV A	
2 PLC	±0.20	APPLICATION SPEC		
3 PLC	±	114-13120		
4 PLC	±	WEIGHT		
ANGLES	±	CUSTOMER DRAWING		