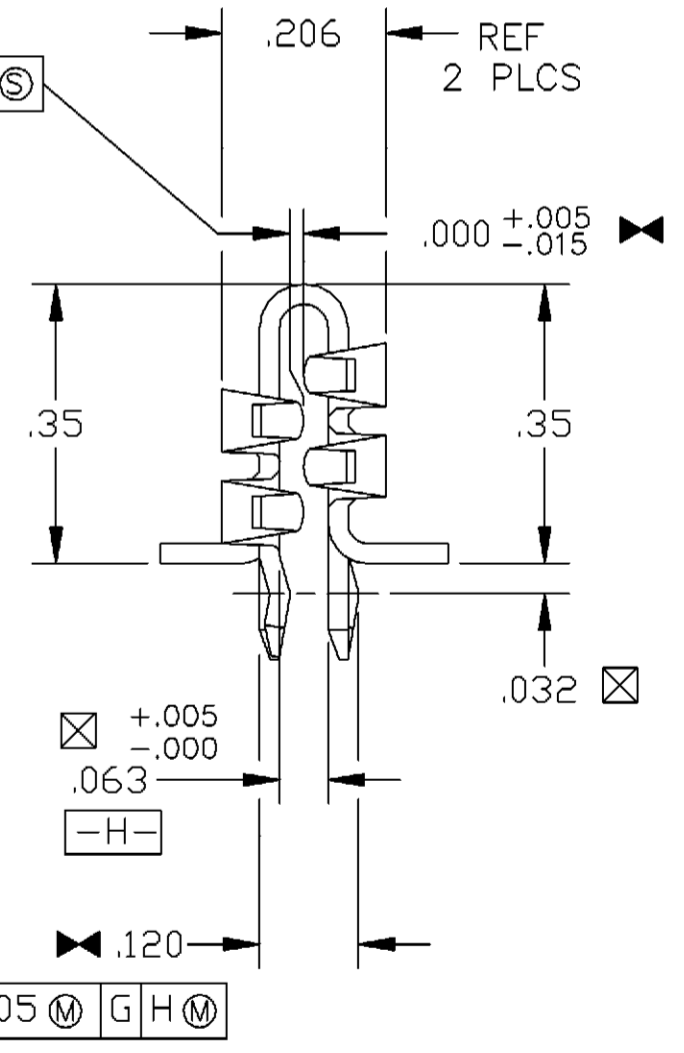
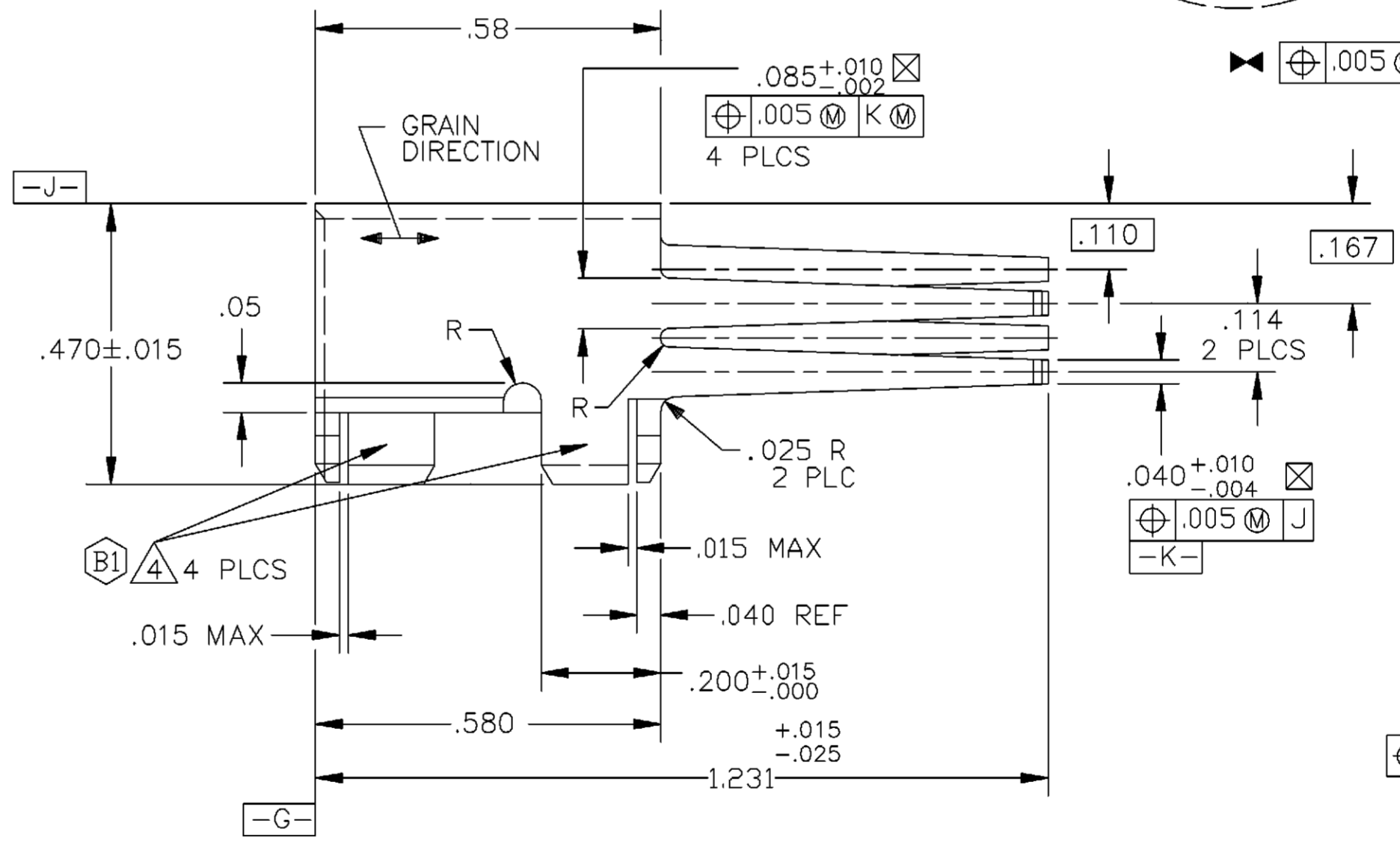
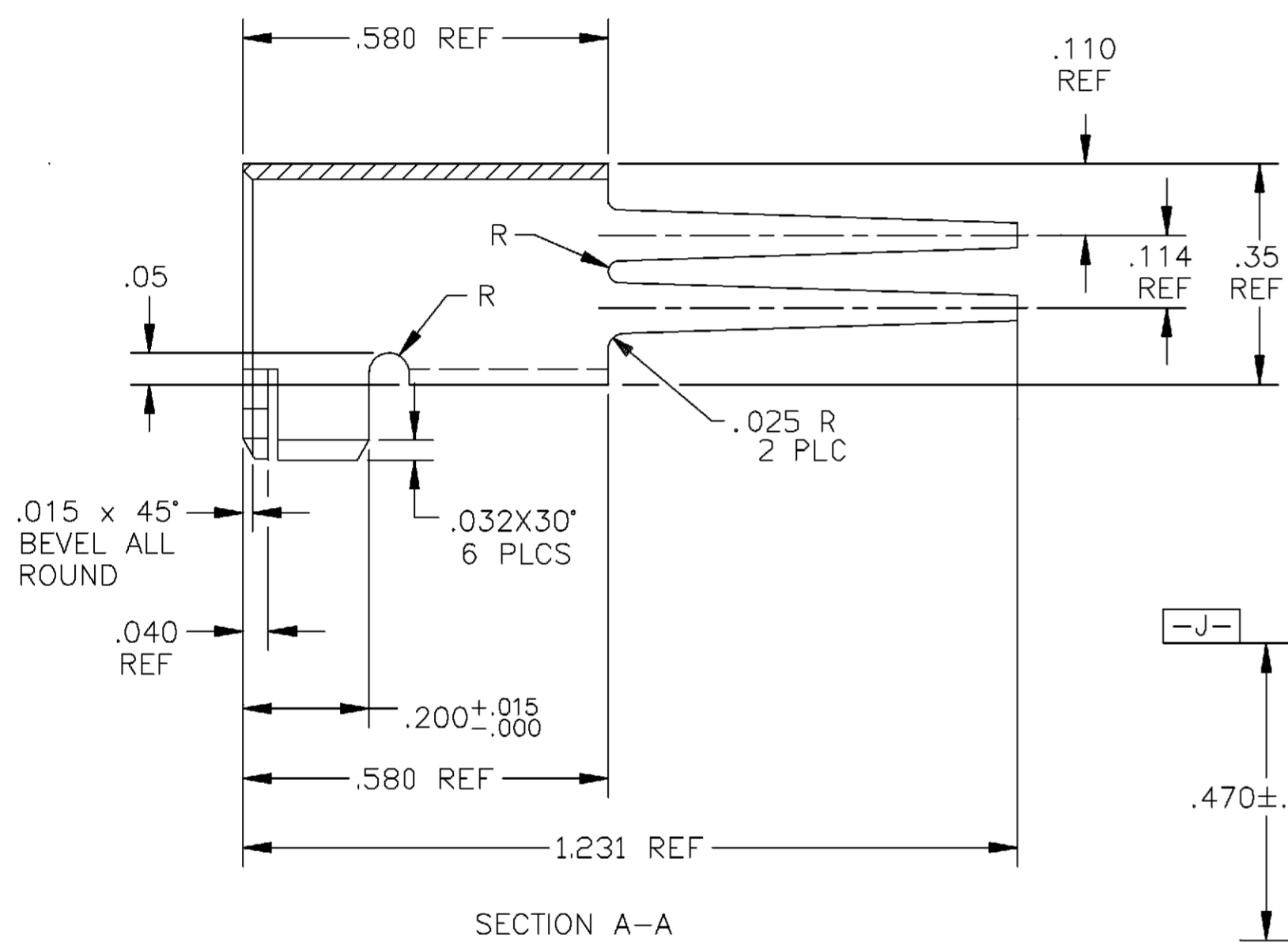
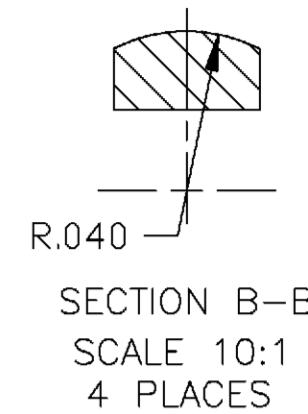
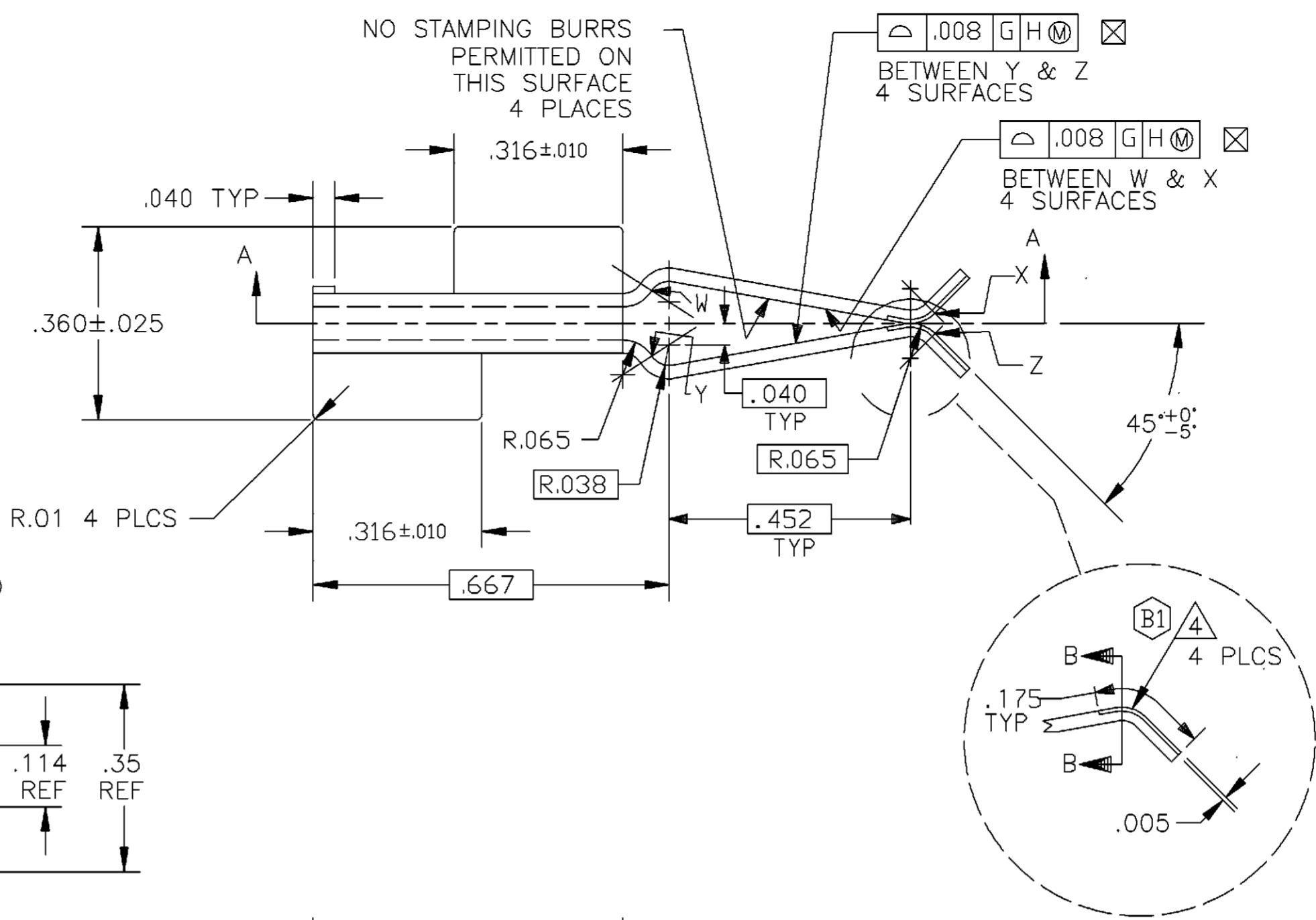


83952  
 THIS DRAWING IS A CONTROLLED DOCUMENT FOR AMP INCORPORATED. IT IS SUBJECT TO CHANGE AND THE CONTROLLING ENGINEERING ORGANIZATION SHOULD BE CONTACTED FOR THE LATEST REVISION.

- 1 FINISH: PLATE .000250-.000350 THK SILVER, AMP 112-32-2 (INCLUDING ANTI-TARNISH TREATMENT), OVER .000050-.000100 THK NICKEL, AMP 112-25-2.
- 2 LUBRICATE ENTIRE TERMINAL WITH MILLER STEPHENSON MS-181 OR EQUIVALENT AFTER PLATING
- 3 SURFACE AREA 1.51 SQ IN
- 4 TARNISH NOT ALLOWED IN CRITICAL AREAS - CONTACT AREAS ON SPRING MEMBERS - 4 PLCS.

B1



LOC	BG
DTST	5

B1	REV PER LC00-0084-98	05AUG98	MM	RK
B	REV PER LC00-0043-96	02APR96	PC	BJ
A	REV PER LC00-0078-95	06SEP95	MC	BJ
0	RELEASE PER LC00-0026-95	14MAR95	GG	GG
P	LTR	REVISION RECORD	DATE	DWN APVD

LEGEND	
▬	SPC CONTROLLED DIMENSION
⊠	MAJOR DIMENSION
⊕	DIMENSIONS: INCHES
⊖	TOLERANCES UNLESS OTHERWISE SPECIFIED:
0 PLC	±-
1 PLC	±.02
2 PLC	±.005
3 PLC	±-
4 PLC	±-
32	REMOVE BURRS, BREAK SHARP EDGES R.015 MAX.

UNPLATED FINISH	83952-1	83952-2
703397-7	703397-7	83952-1
MATERIAL	SEE TABLE	PART NO.
HEAT TREAT	NONE	NONE
DRAWN BY: GEORGE GEE 17FEB95		
CHECKED BY: J. SADABA 28MAR95		
APPROVED BY: G. GOTO 28 MAR 95		
NAME: CONNECTOR, BOARD MOUNT STYLE, 062 SERIES, PLUGGABLE BUS BAR CONNECTOR		
SCALE: 4:1	SIZE: A2	DRAWING NO: 83952
SHEET: 1 OF 1	REV: B1	