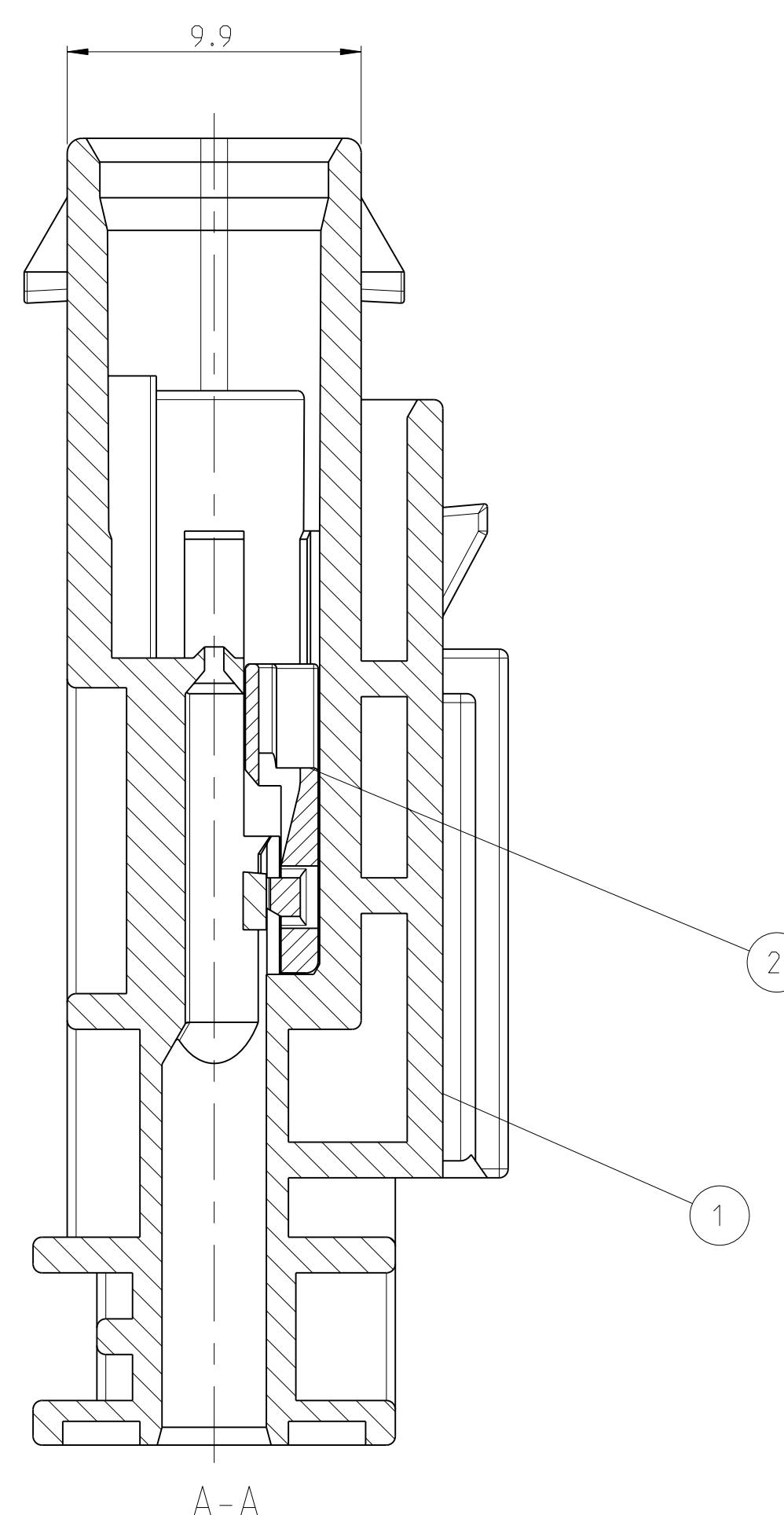
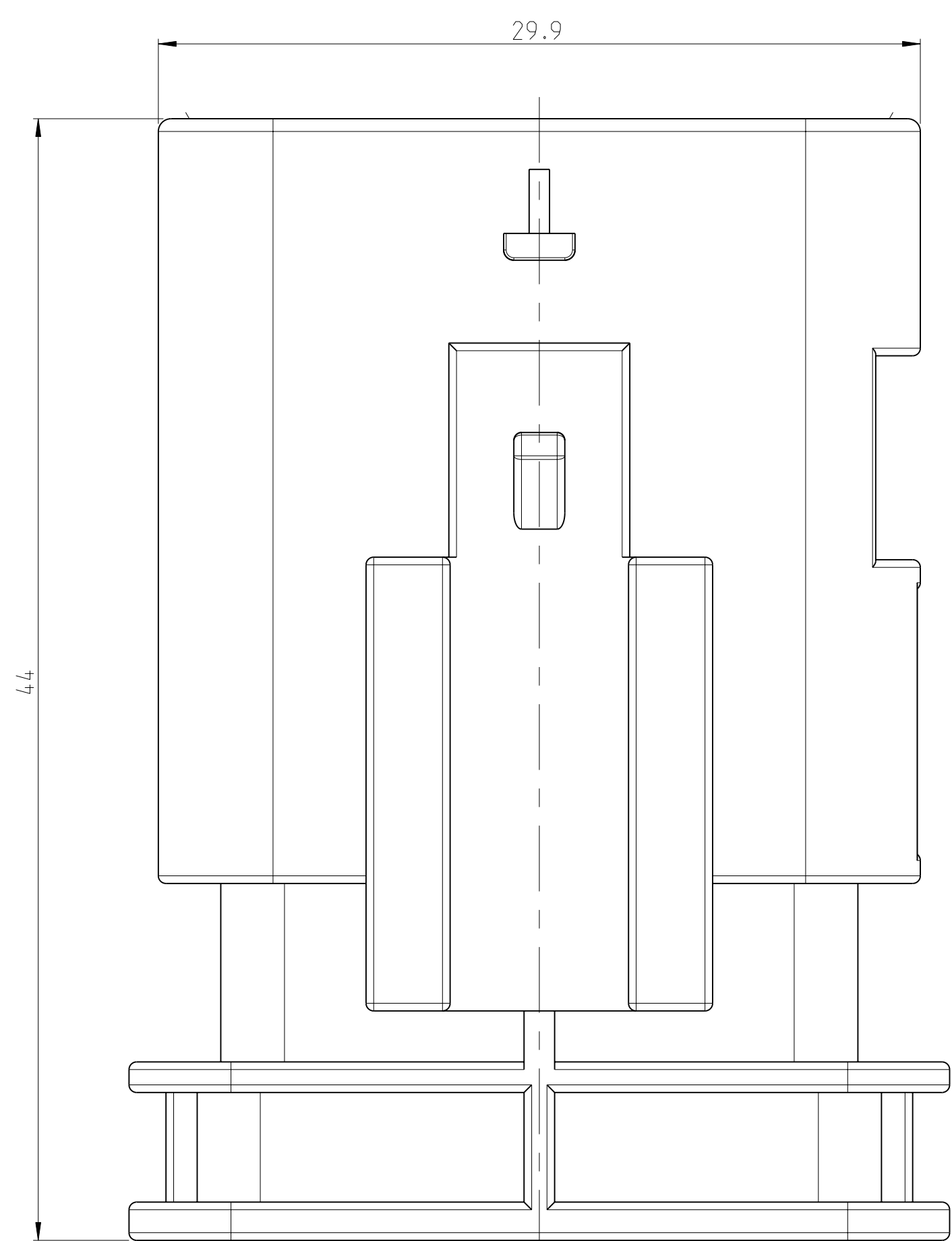
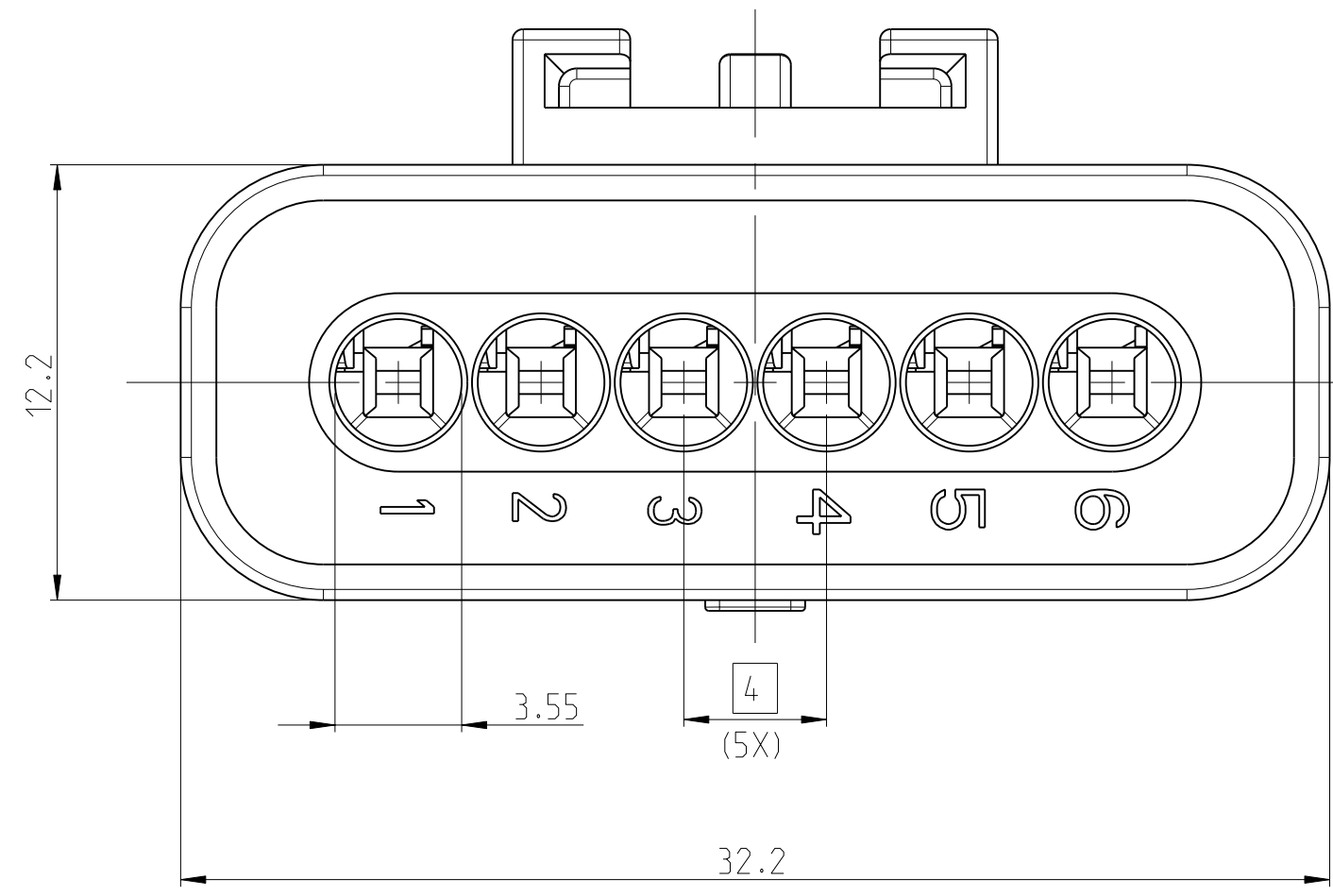
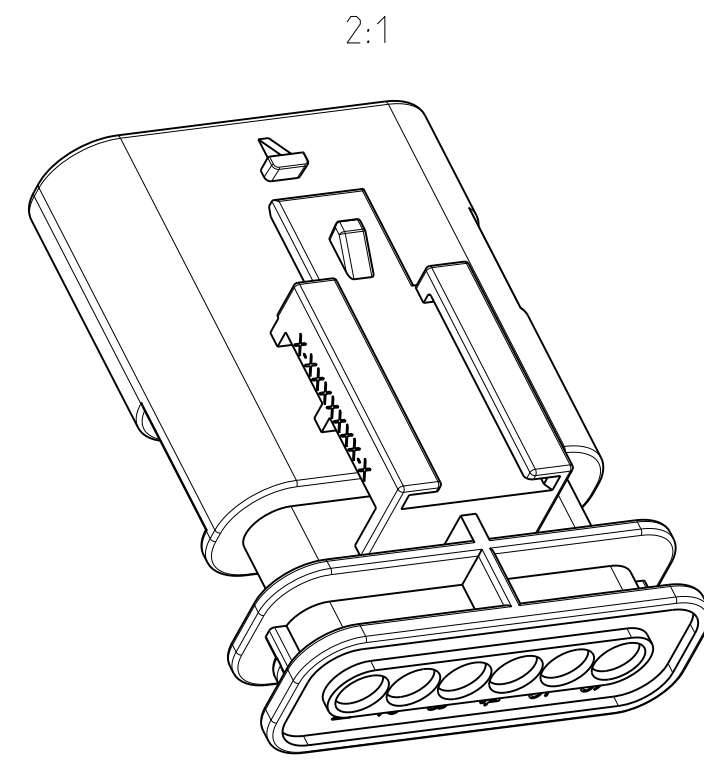
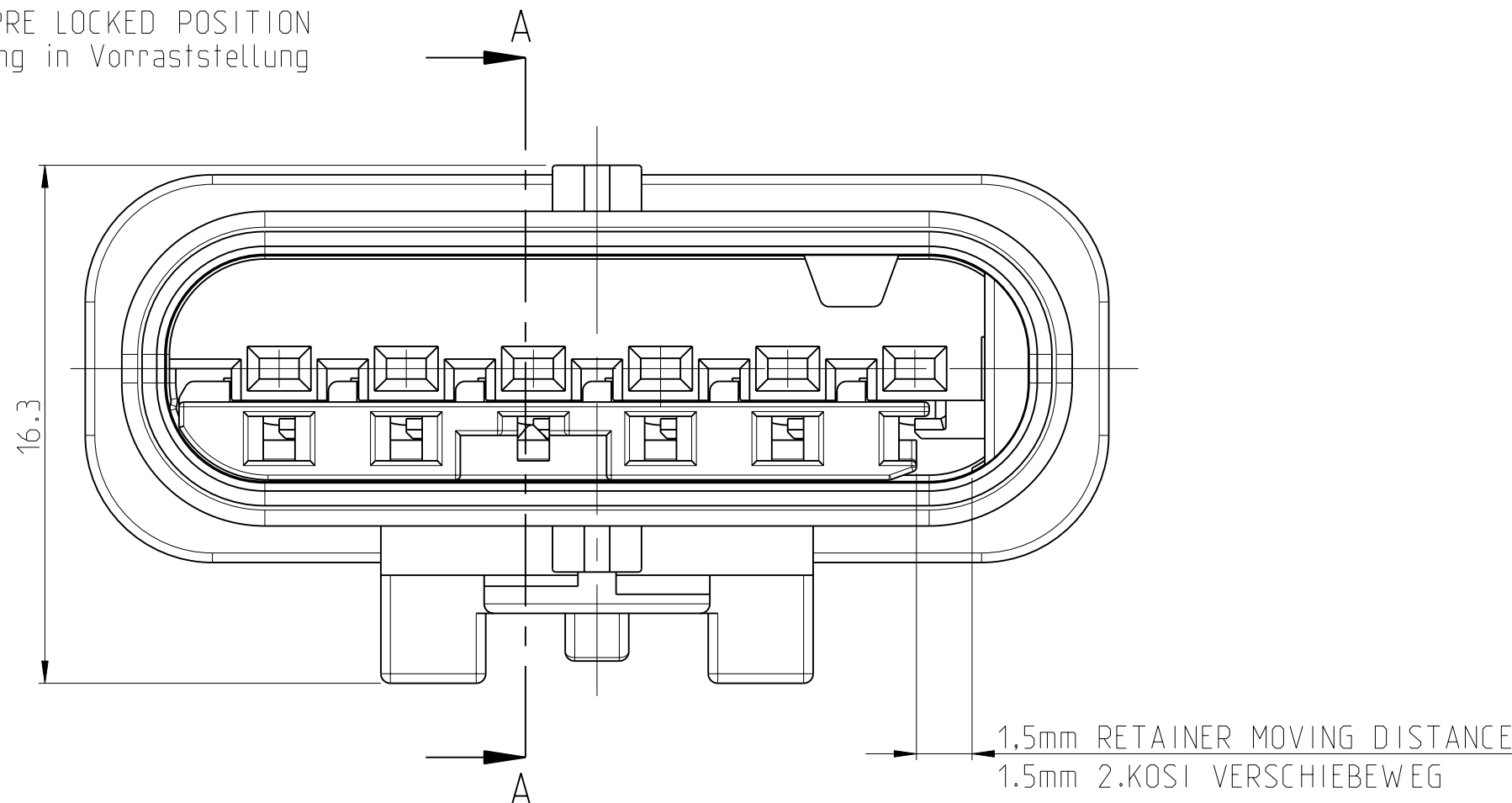


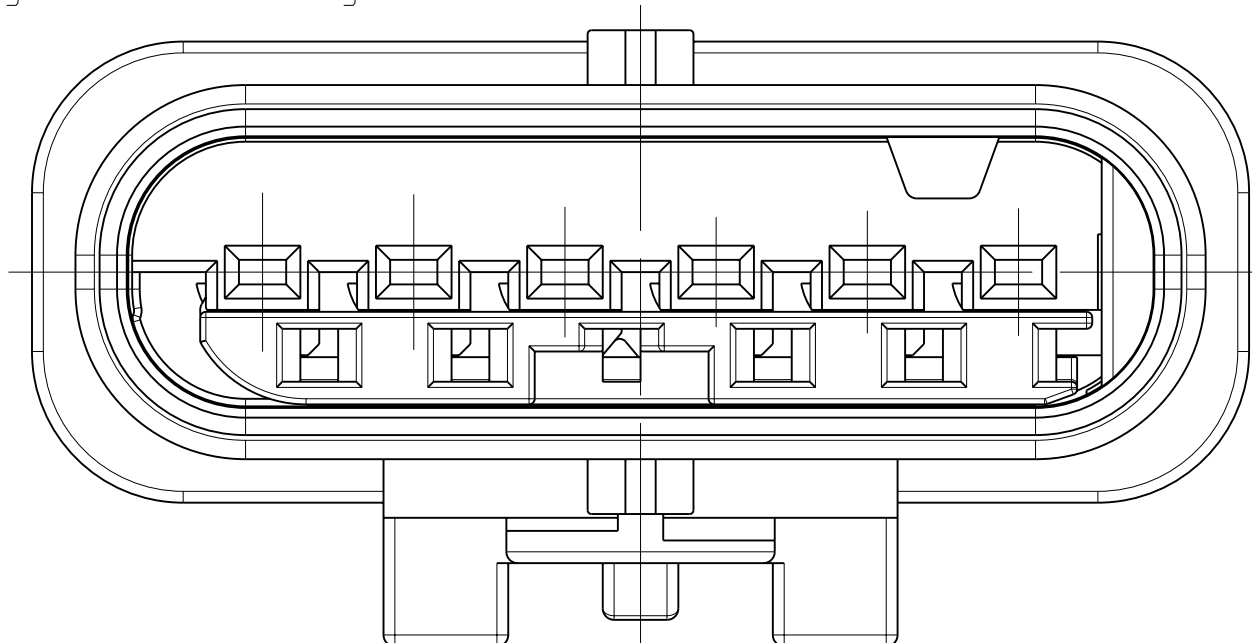
SHOWN 1-2141324-1



RETAINER IN PRE LOCKED POSITION
Kontaktsicherung in Vorraststellung

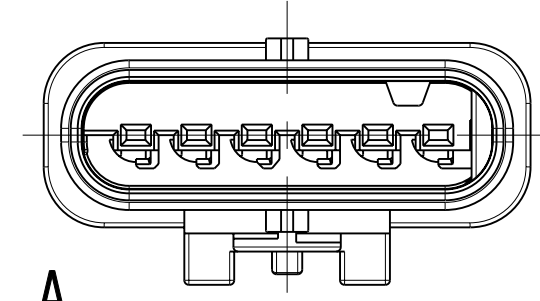


RETAINER IN FINAL LOCKED POSITION
2. Kontaktsicherung in Endraststellung

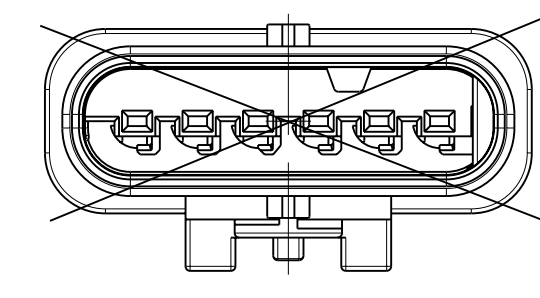


RETAINER MOVING DIRECTION
2. Kontaktsicherung Verschiebeweg

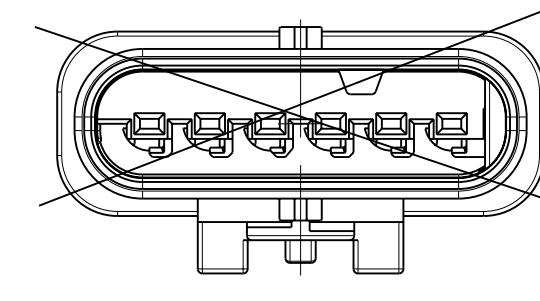
CODINGS 2:1



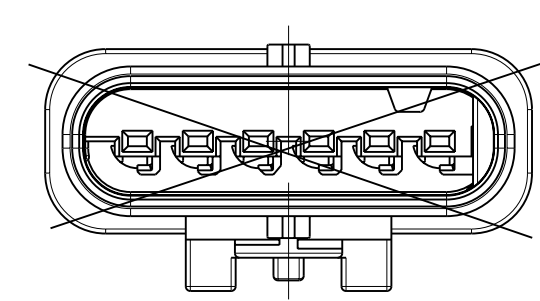
A
1-2141324-1
(BLACK)
1-2141324-4
(YELLOW)



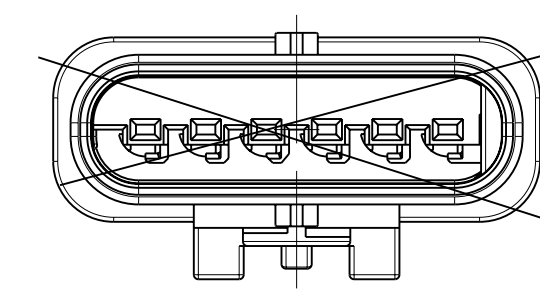
B
2-2141324-1



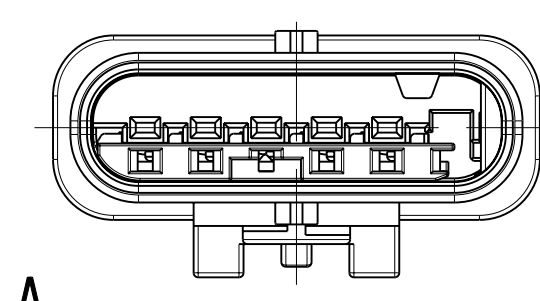
C
3-2141324-1



D
4-2141324-1

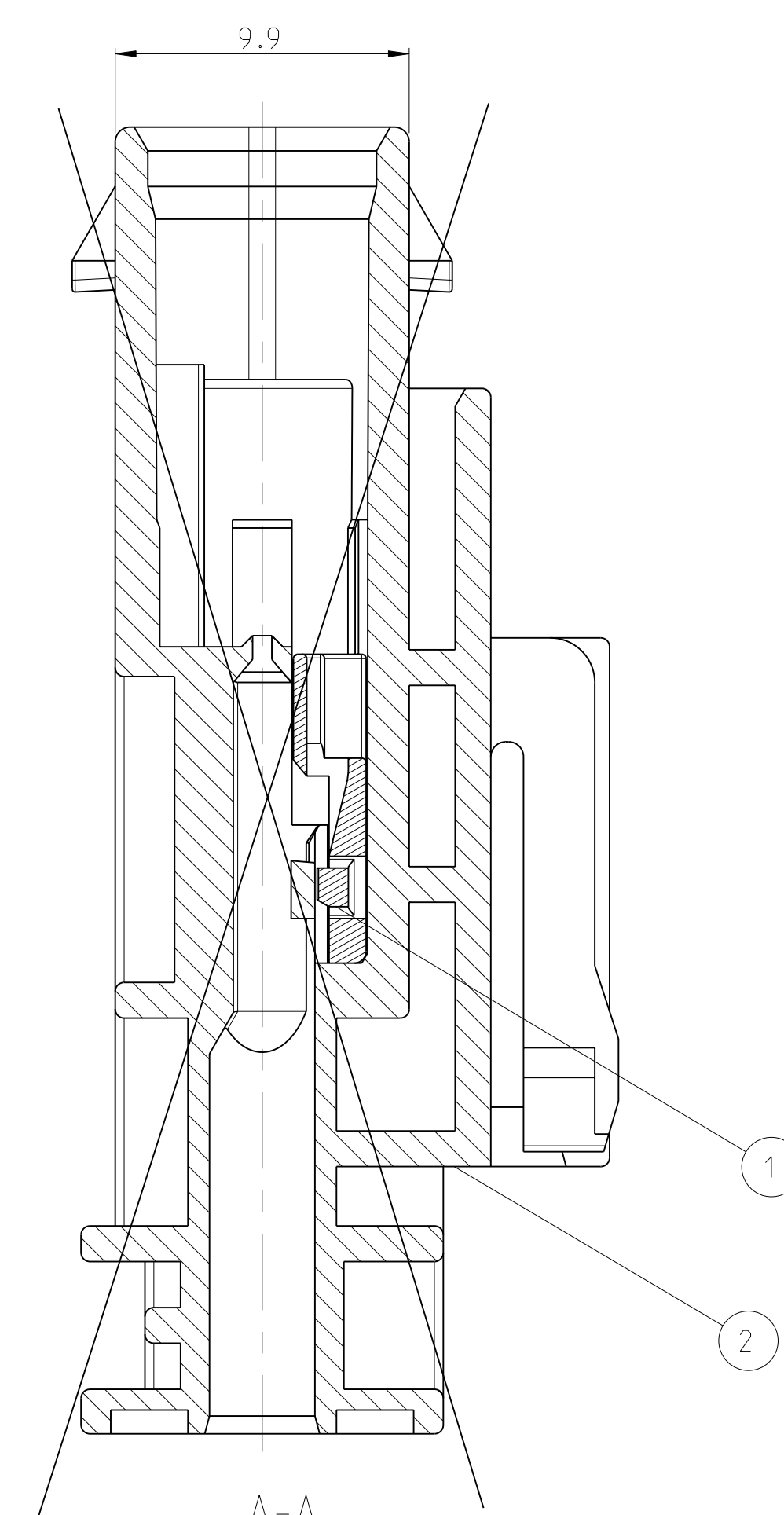
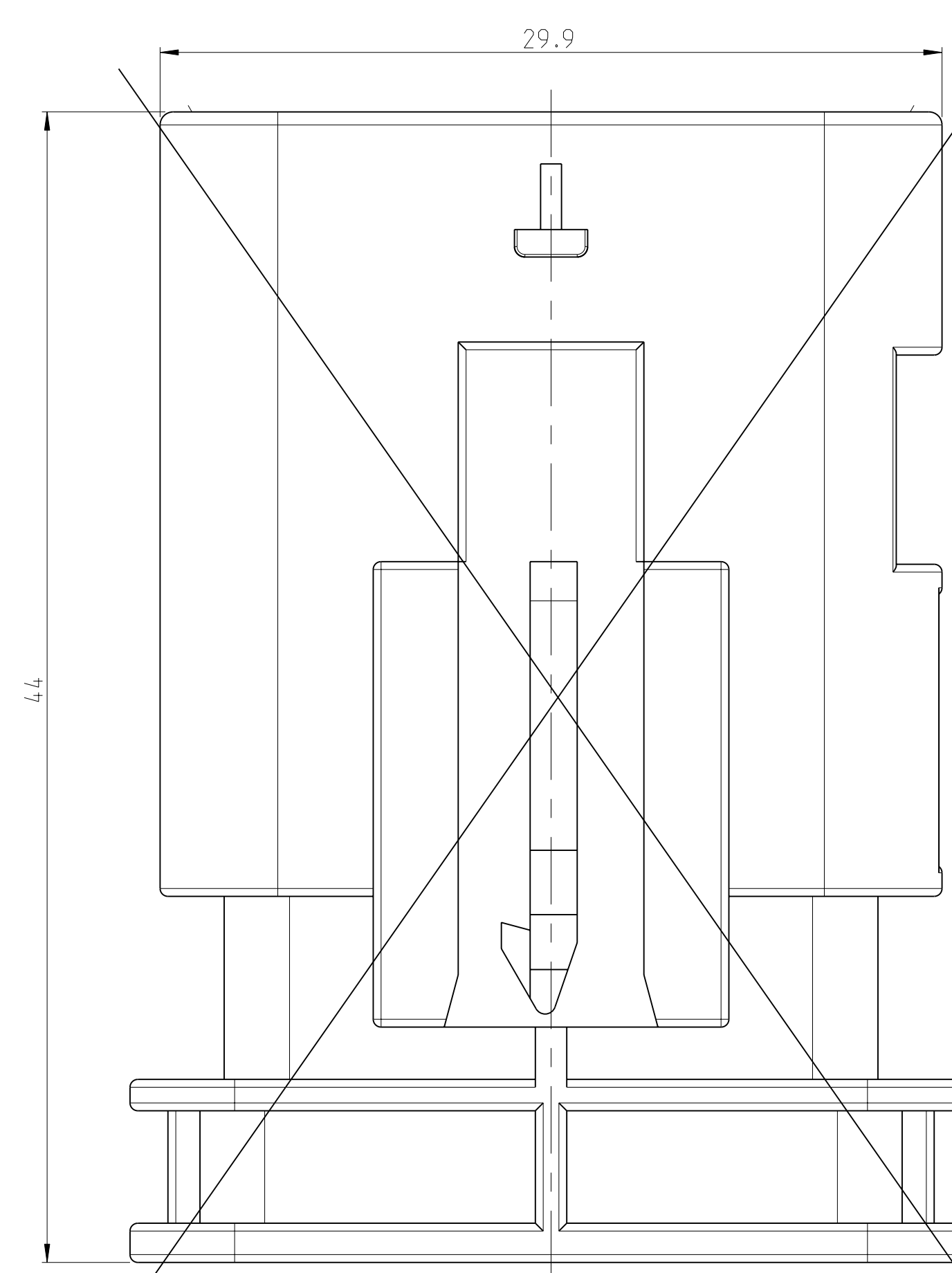
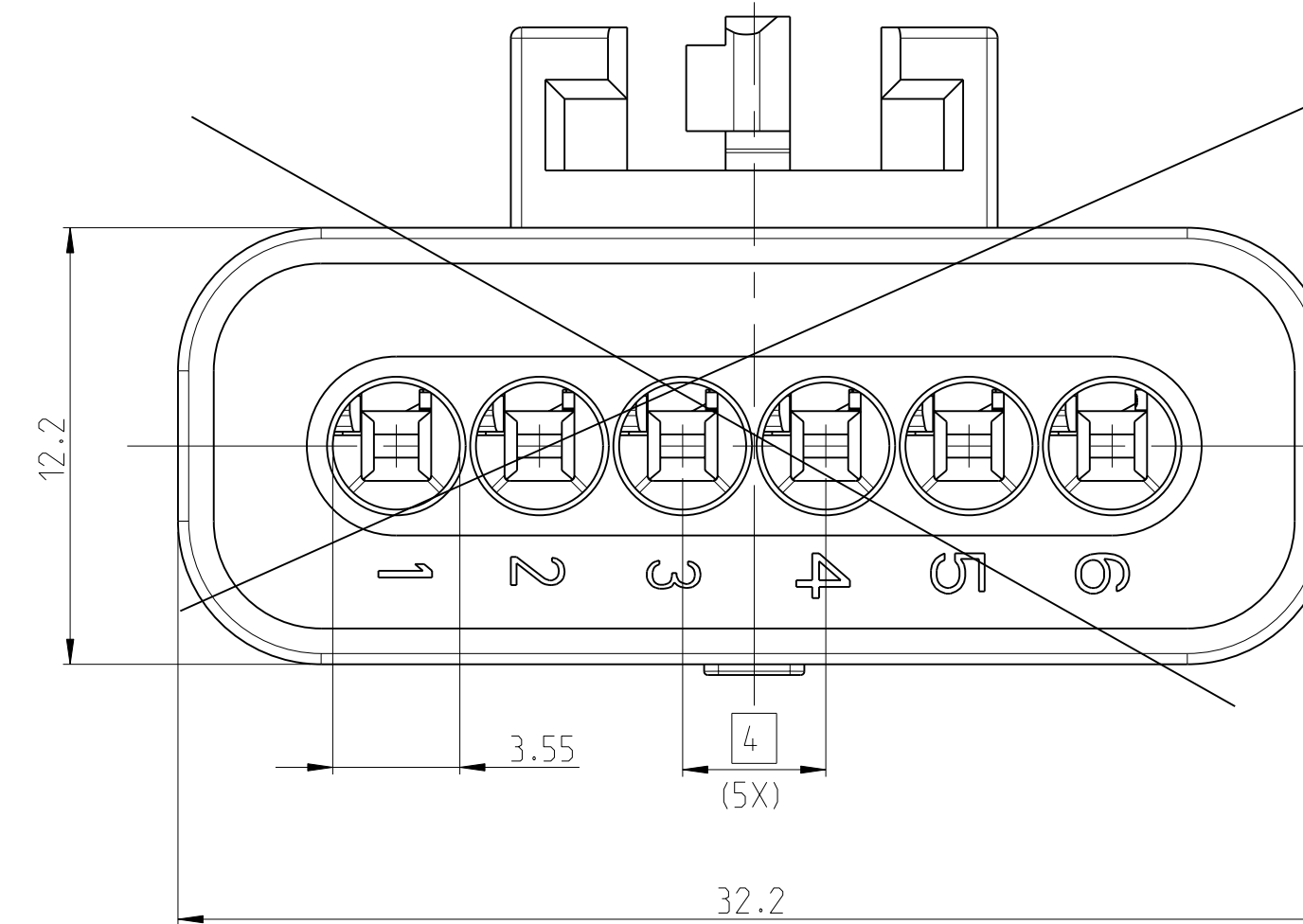
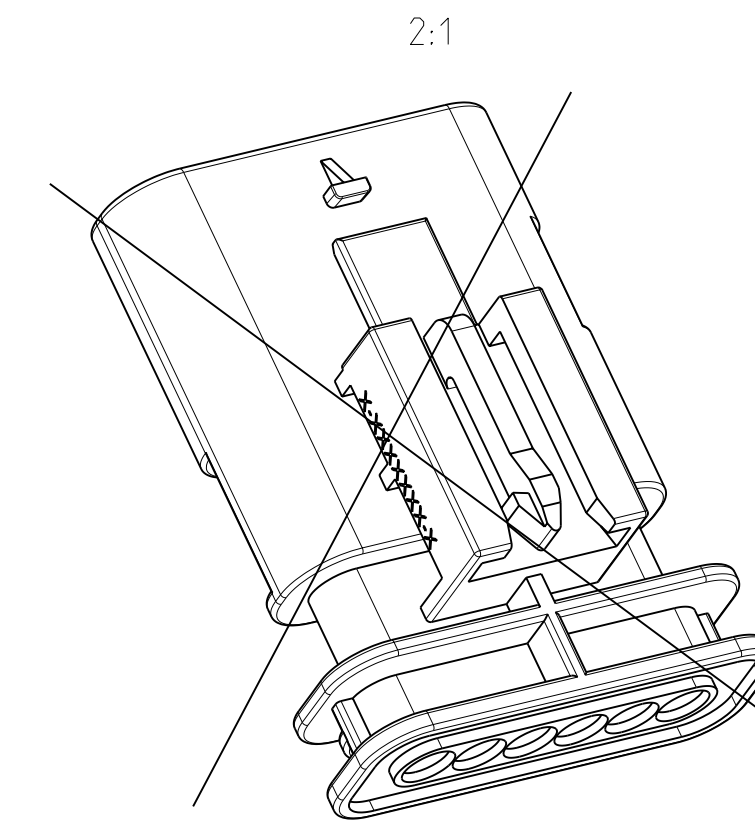


Z
5-2141324-1

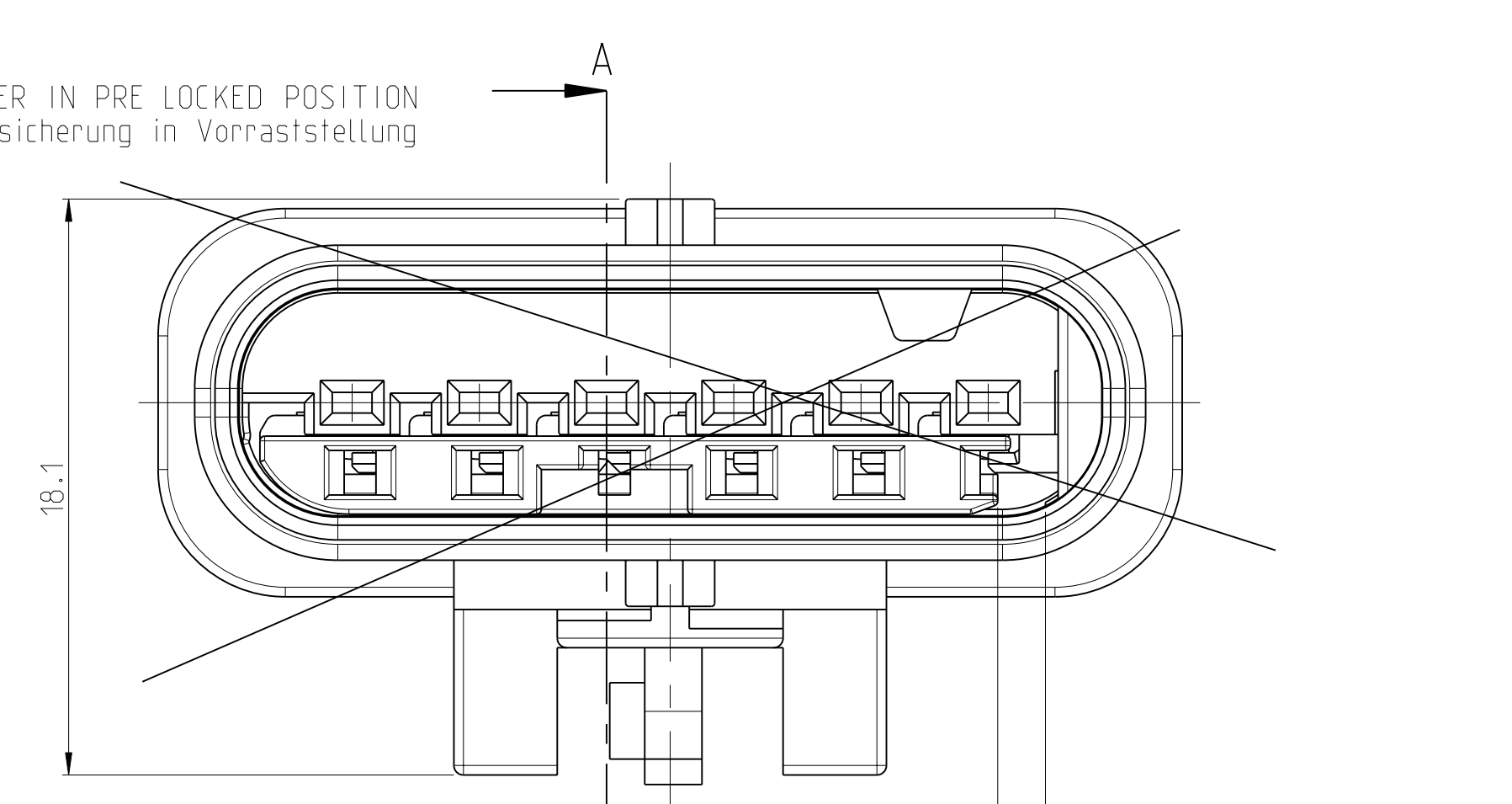


A
1-2141324-5
5POS.
(YELLOW)

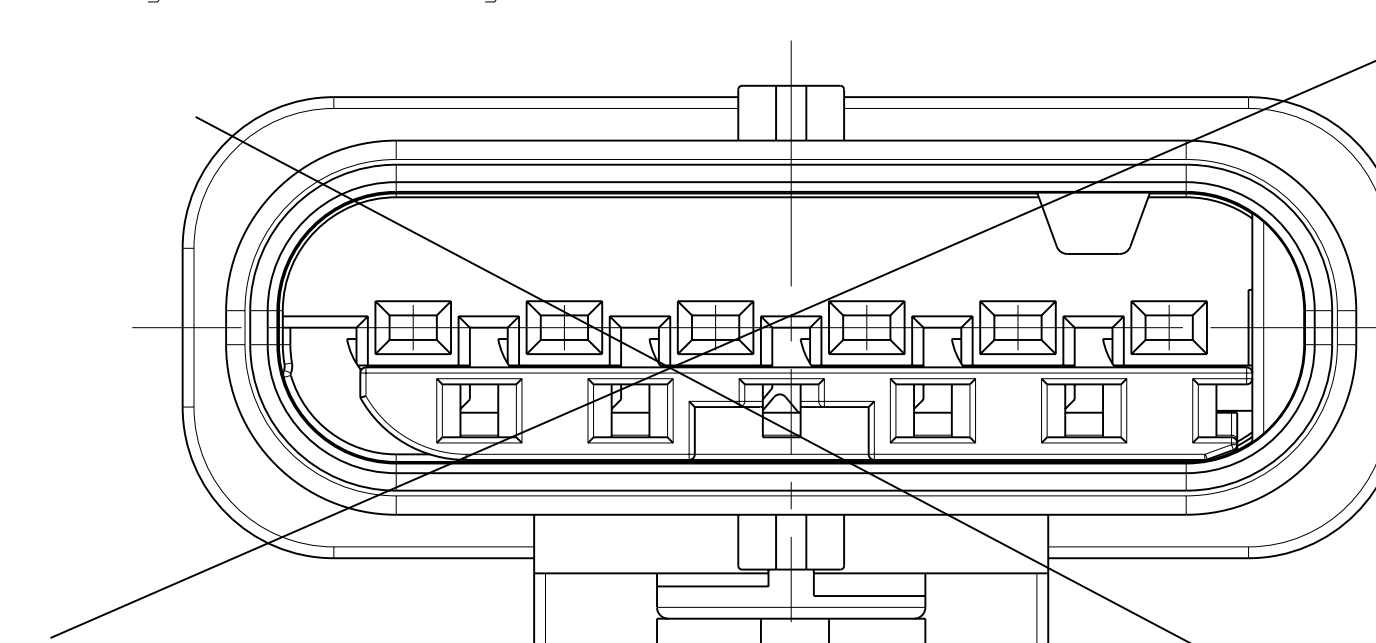
~~SHOWN 1-2141324-2~~



RETAINER IN PRE LOCKED POSITION
Kontaktsicherung in Vorraststellung



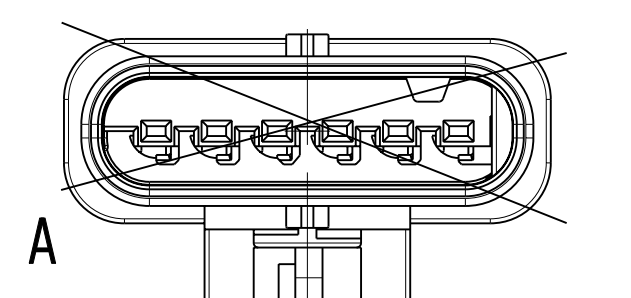
RETAINER IN FINAL LOCKED POSITION
2.Kontaktsicherung in Endraststellung



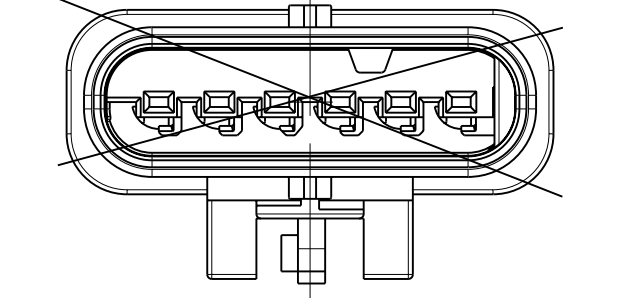
RETAINER MOVING DIRECTION
2.Kontaktsicherung Verschiebeweg

| REV | DATE | BY | CHKD | APPD |
|-----|-----------|----|------|------|
| A | 18AUG2010 | MT | HR | |
| A1 | 08NOV2010 | MT | HR | |
| A2 | 24JAN2011 | MT | HR | |

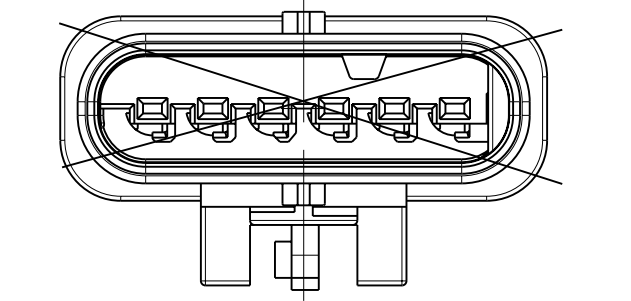
CODINGS 2:1



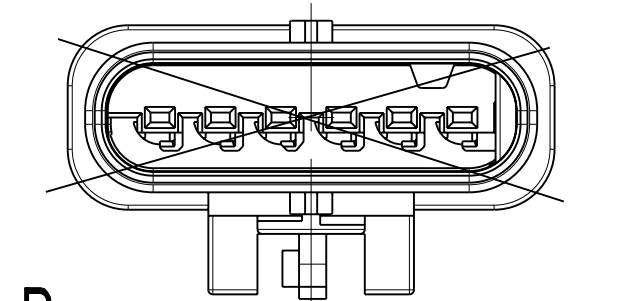
A
1-2141324-2



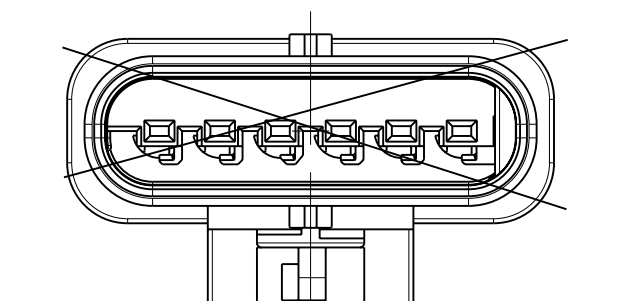
B
2-2141324-2



C
3-2141324-2



D
4-2141324-2



Z
5-2141324-2

| TE-PIN | WIRE RANGE | TE-PIN | TE-PIN |
|-----------|----------------------------|------------------|------------|
| TERMINALS | | SINGLE WIRE SEAL | BLIND PLUG |
| 1718756 | 0.14 - 0.22mm ² | 967067-2 | 967056-1 |
| 1718758 | 0.25 - 0.35mm ² | 967067-2 | |
| 1718760 | 0.5 - 0.75mm ² | 967067-1 | |
| 1718762 | 1mm ² | 967067-1 | |

TERMINAL TE-APPLICATION SPEC.: 114-18464

| TE - PASSENDE BUCHSENHSG. SUITABLE FEMALE HSG. | TE - Bestell-Nr. ORDER-NO. | ASSY REV. CODE | Benennung TITLE | QTY | Benennung Einzelteil TITLE | Werkstoff MATERIAL | Oberflaeche/Farbe SURFACE/CLOUR | Pos. ITEM |
|--|----------------------------|----------------|-----------------|-----|---------------------------------------|--------------------|---------------------------------|-----------|
| - | 5-2141324-2 | A | Z | 1 | Kontaktsicherung BE-TAINER | PA66-GF35 | violett/VIOLET | 2 |
| - | 4-2141324-2 | A | D | 1 | Stiftgehäuse 6pol. MALE HOUSING 6POS. | PBT-GF30 | schwarz/BLACK | 1z |
| - | 3-2141324-2 | A | C | 1 | Kontaktsicherung BE-TAINER | PA66-GF35 | violett/VIOLET | 2 |
| - | 2-2141324-2 | A | B | 1 | Stiftgehäuse 6pol. MALE HOUSING 6POS. | PBT-GF30 | schwarz/BLACK | 1c |
| 1-1670949-1 | 1-2141324-2 | A | A | 1 | Kontaktsicherung BE-TAINER | PA66-GF35 | violett/VIOLET | 2 |
| 1-1670949-1 | 1-2141324-2 | A | A | 1 | Stiftgehäuse 6pol. MALE HOUSING 6POS. | PBT-GF30 | schwarz/BLACK | 1a |

| TE - PASSENDE BUCHSENHSG. SUITABLE FEMALE HSG. | TE - Bestell-Nr. ORDER-NO. | ASSY REV. CODE | Benennung TITLE | QTY | Benennung Einzelteil TITLE | Werkstoff MATERIAL | Oberflaeche/Farbe SURFACE/CLOUR | Pos. ITEM |
|--|----------------------------|----------------|-----------------|-----|---------------------------------------|--------------------|---------------------------------|-----------|
| - | 1-2141324-5 | A | A | 1 | Stiftgehäuse 5pol. MALE HOUSING 5POS. | PA66-GF30 | violett/VIOLET | 2 |
| 1-1670949-1 | 1-2141324-4 | A | A | 1 | Kontaktsicherung BE-TAINER | PA66-GF35 | violett/VIOLET | 1a |
| 1-1670949-1 | 1-2141324-4 | A | A | 1 | Stiftgehäuse 6pol. MALE HOUSING 6POS. | PBT-GF30 | gelb/YELLOW | 1a |
| 1-1670949-1 | 1-2141324-4 | A | A | 1 | Kontaktsicherung BE-TAINER | PA66-GF35 | violett/VIOLET | 2 |
| - | 5-2141324-1 | A | Z | 1 | Stiftgehäuse 6pol. MALE HOUSING 6POS. | PBT-GF30 | schwarz/BLACK | 1z |
| - | 4-2141324-1 | A | B | 1 | Kontaktsicherung BE-TAINER | PA66-GF35 | violett/VIOLET | 2 |
| - | 3-2141324-1 | A | C | 1 | Stiftgehäuse 6pol. MALE HOUSING 6POS. | PBT-GF30 | schwarz/BLACK | 1c |
| - | 2-2141324-1 | A | B | 1 | Kontaktsicherung BE-TAINER | PA66-GF35 | violett/VIOLET | 2 |
| 1-1670949-1 | 1-2141324-1 | A | A | 1 | Stiftgehäuse 6pol. MALE HOUSING 6POS. | PBT-GF30 | schwarz/BLACK | 1a |

| DIMENSIONS | TOLERANCES UNLESS OTHERWISE SPECIFIED | APPROX | SCALE |
|------------|---------------------------------------|--------|-------|
| mm | 0.13 | 1:1 | 5:1 |

CUSTOMER DRAWING