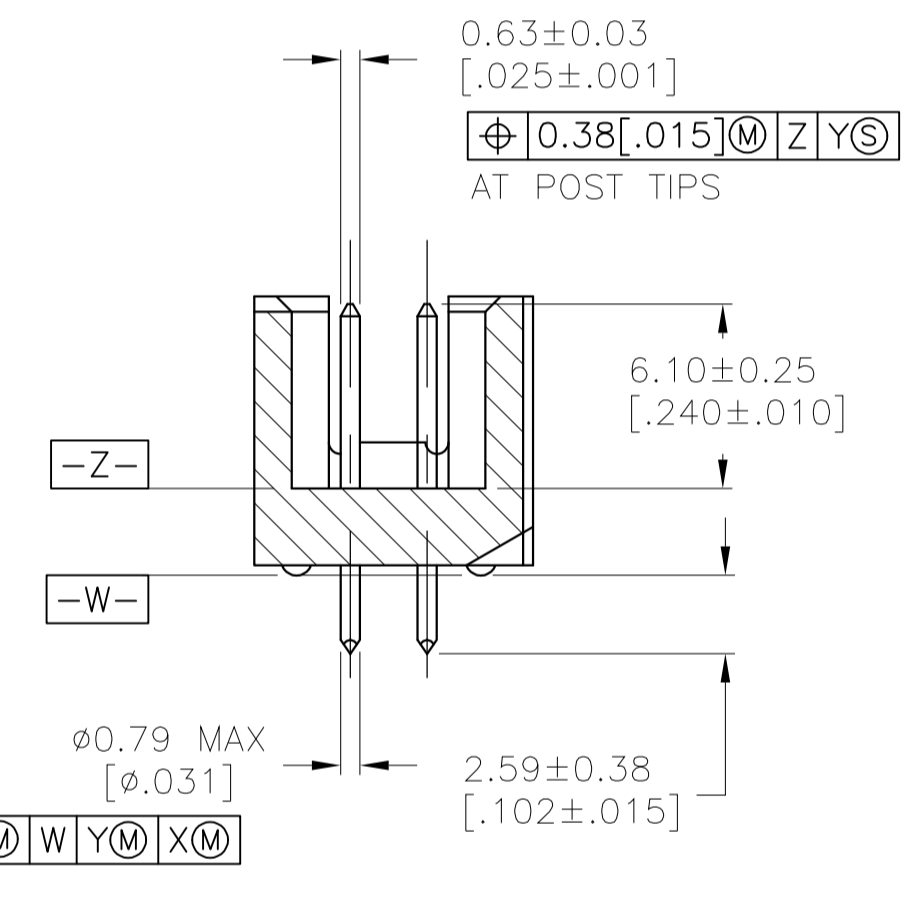
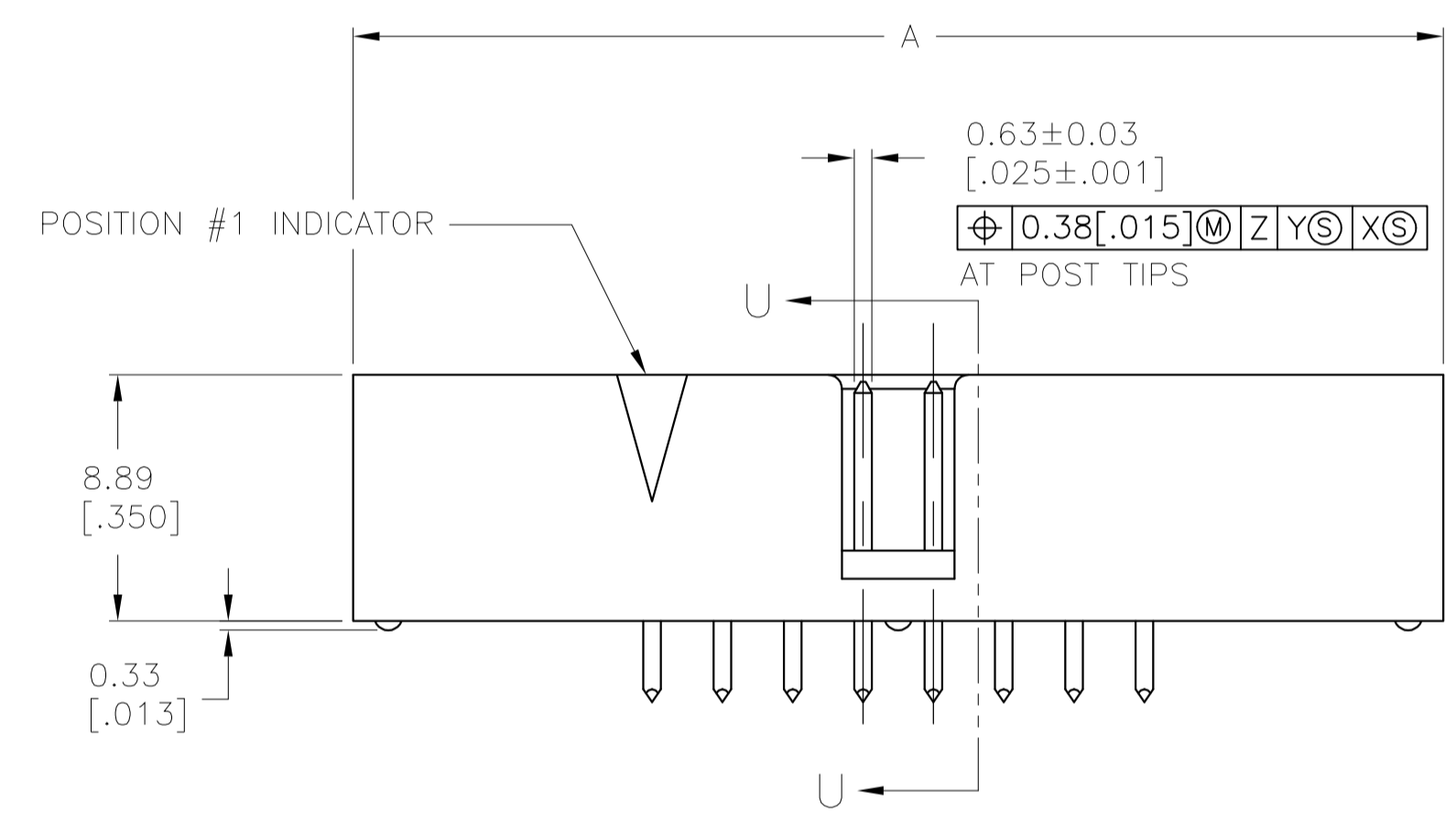
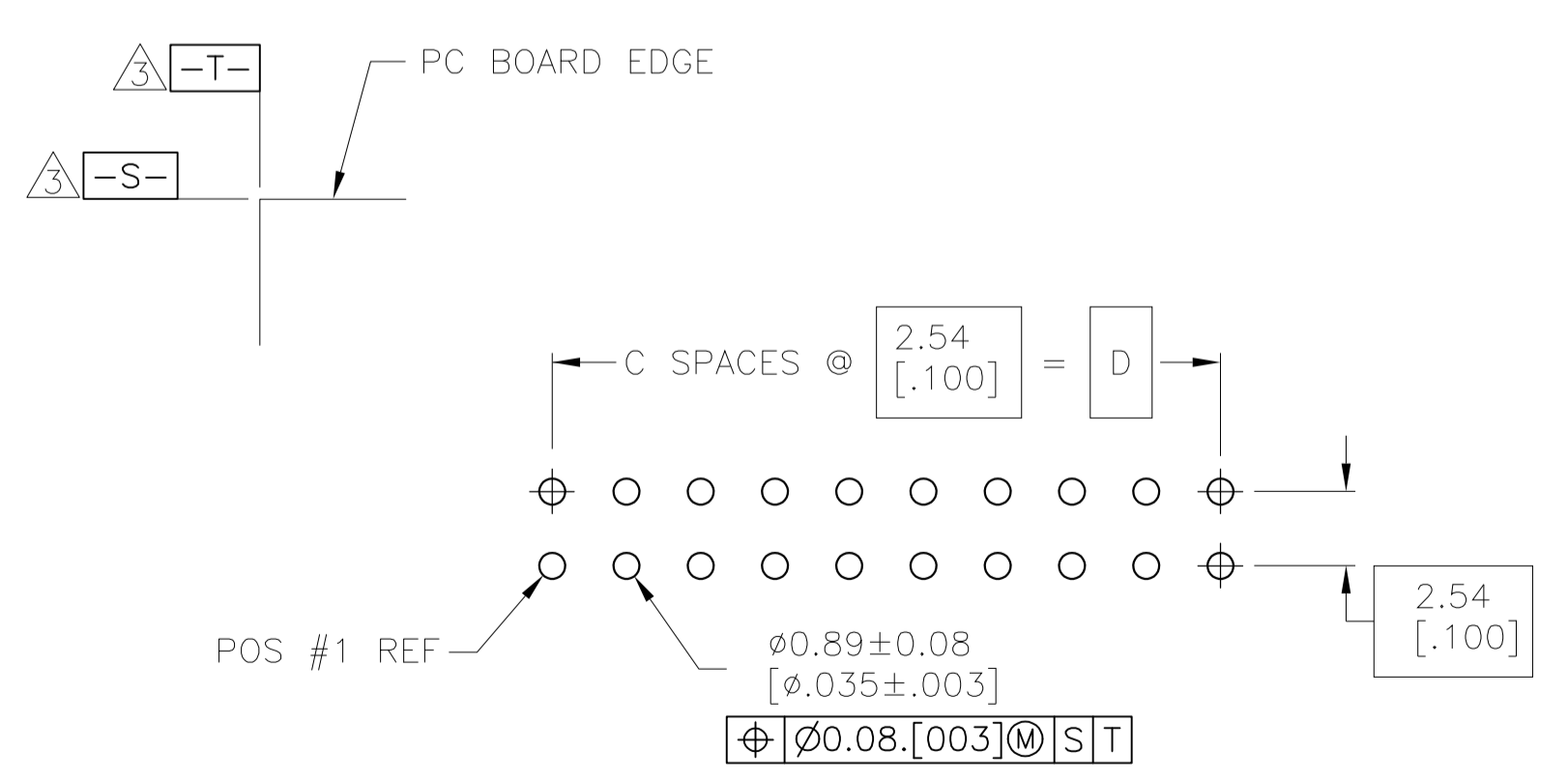


- △ HOUSING: PBT, UL94V-0, COLOR BLUE.  
POSTS: PHOSPHOR BRONZE.
- △ POSTS: 0.00076[.000030] MIN GOLD ON MATING AREA,  
0.00254[.000100] MIN TIN ON SOLDER END, ALL OVER  
0.00127[.000050] MIN NICKEL ON ENTIRE POST.
- △ TIN DATUMS S & T TO BE ESTABLISHED BY CUSTOMER.



SECTION U-U



RECOMMENDED PC BOARD LAYOUT  
(VIEWED FROM CONNECTOR SIDE)

|          |                  |    |                  |                   |           |             |
|----------|------------------|----|------------------|-------------------|-----------|-------------|
| OBsolete | 78.74<br>[3.100] | 31 | 86.36<br>[3.400] | 100.33<br>[3.950] | 64        | 1-1761693-7 |
|          | 73.66<br>[2.900] | 29 | 81.28<br>[3.200] | 95.25<br>[3.750]  | 60        | 1-1761693-6 |
| OBsolete | 48.26<br>[1.900] | 19 | 55.88<br>[2.200] | 69.85<br>[2.750]  | 40        | 1-1761693-3 |
|          | 40.64<br>[1.600] | 16 | 48.26<br>[1.900] | 62.23<br>[2.450]  | 34        | 1-1761693-1 |
|          | 27.94<br>[1.100] | 11 | 35.56<br>[1.400] | 49.53<br>[1.950]  | 24        | 1761693-8   |
| OBsolete | 22.86<br>[.900]  | 9  | 30.48<br>[1.200] | 44.45<br>[1.750]  | 20        | 1761693-7   |
| OBsolete | 17.78<br>[.700]  | 7  | 25.40<br>[1.000] | 39.37<br>[1.550]  | 16        | 1761693-6   |
| OBsolete | 15.24<br>[.600]  | 6  | 22.86<br>[.900]  | 36.83<br>[1.450]  | 14        | 1761693-5   |
|          | 10.16<br>[.400]  | 4  | 17.78<br>[.700]  | 31.75<br>[1.250]  | 10        | 1761693-3   |
|          | D                | C  | B                | A                 | NO OF POS | PART NUMBER |

THIS DRAWING IS A CONTROLLED DOCUMENT.

|             |   |   |                    |
|-------------|---|---|--------------------|
| DIMENSIONS: | TOLERANCES UNLESS OTHERWISE SPECIFIED:  | APPROVED:                                   | DATE:              |
| mm          | 0. PLC ± -<br>1. PLC ± -<br>2. PLC ± -<br>3. PLC ± 0.13(.005)<br>4. PLC ± -<br>ANGLES ± - | B. CRISAMORE/D1<br>S. BOLASH<br>M. WALMSLEY | 05JUN05<br>05JUN05 |
| MATERIAL:   | FINISH:   | SIZE:                                       | SCALE:             |
| △           | △   | A1  | 4:1                |

TYCO ELECTRONICS CORPORATION  
HARRISBURG, PA 17105-3608

PRODUCT SPEC: HEADER ASSEMBLY, VERTICAL, LOW PROFILE, IDC

APPLICATION SPEC: 1761693

RESTRICTED TO: CUSTOMER DRAWING

SCALE: 4:1 SHEET 1 OF 1 REV B