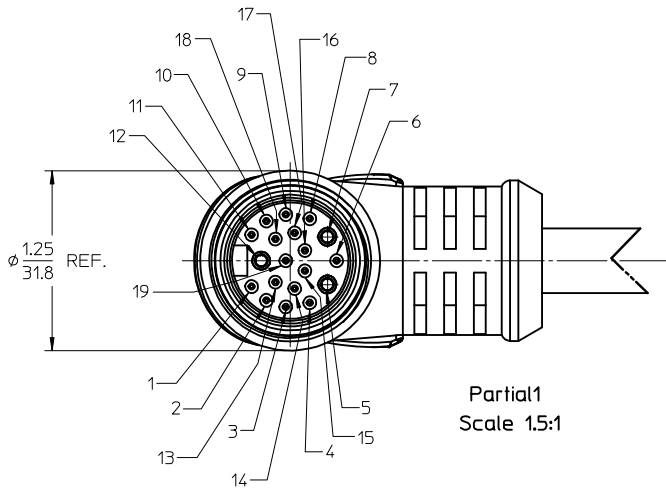


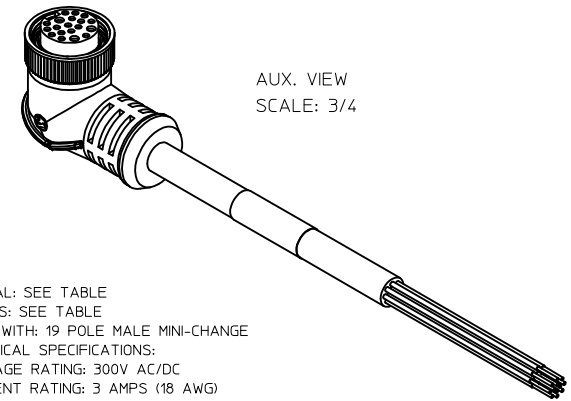
MATERIAL NO.	ENGINEERING NO.	LENGTH
1300080315	303001P80M050	16' 5" +6.50-0 (5M +16.5cm-0)
1300080316	303001P80M100	32' 10" +12.50-0 (10M +31.8cm-0)



Partial1  
Scale 1.5:1

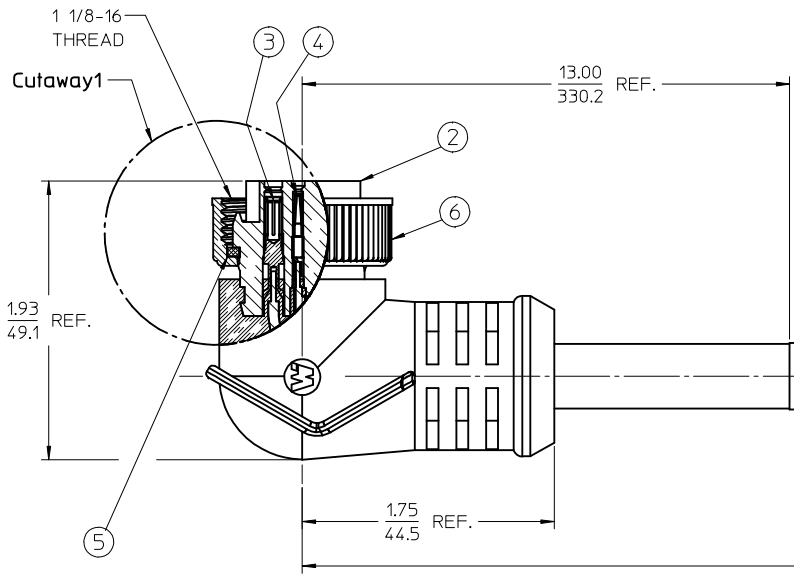
VIOLET	P1
RED	2
GRAY	3
RED/BLUE	4
BLUE (-VE)	5
GREEN	6
BROWN (+VE)	7
WHITE/GREEN	8
WHITE/YELLOW	9
WHITE/GRAY	10
BLACK	11
YELLOW/GREEN (GRD)	12
YELLOW/BROWN	13
BROWN/GREEN	14
WHITE	15
YELLOW	16
PINK	17
GRAY/BROWN	18
GRAY/PINK	19

WIRING DIAGRAM



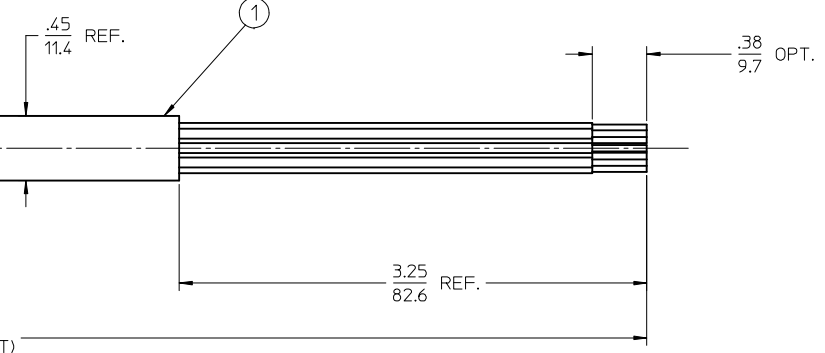
AUX. VIEW  
SCALE: 3/4

- NOTES:
1. MATERIAL: SEE TABLE
  2. FINISHES: SEE TABLE
  3. MATES WITH: 19 POLE MALE MINI-CHANGE
  4. ELECTRICAL SPECIFICATIONS:  
VOLTAGE RATING: 300V AC/DC  
CURRENT RATING: 3 AMPS (18 AWG)  
2 AMPS (22 AWG)
  5. ASSEMBLY IS RoHS COMPLIANT



Cutaway1

LENGTH  
(SEE CHART)



ITEM	QTY.	DESCRIPTION	MATERIAL	FINISH
7	1	OVERMOLD	PVC	YELLOW
6	1	COUPLING NUT, C-SIZE	DIE CAST ZINC	BLACK
5	1	FRICTION RING, C-SIZE	NYLON	WHITE
4	16	FEMALE CONTACT	Cu ALLOY	GOLD PLATED
3	3	FEMALE CONTACT/SLEEVE ASSY	BRASS/SS	GOLD PLATED
2	2	INSERT, FEMALE, 19 POLE	PVC	YELLOW
1	1	CABLE, 3 X 0.75mm <sup>2</sup> (18 AWG) + 16 X 0.34mm <sup>2</sup> (22 AWG)	PUR OUTER JACKET	BLACK

RELEASED	EC NO: MNAZ010-0046	2009/07/21
DRWINRSTONE	CHKD: B. WOODMAN	APPR: J. MURPHY
REV	DESCRIPTION	DATE
A		2009/08/10

QUALITY SYMBOLS
▽=0
▽=0
DRAFT WHERE APPLICABLE MUST REMAIN WITHIN DIMENSIONS

GENERAL TOLERANCES (UNLESS SPECIFIED)	
4 PLACES ±	---
3 PLACES ±	---
2 PLACES ±	±.01
1 PLACE ±	±0.3
ANGULAR ±1/2°	

DIMENSION STYLE	IN/MM
SCALE	1.5:1
DESIGN UNITS	INCH
THIRD ANGLE PROJECTION	
DRAWN BY DATE	
R. STONE	2009/07/20
CHECKED BY DATE	
B. WOODMAN	2009/07/22
APPROVED BY DATE	
J. MURPHY	2009/07/25
MATERIAL NO.	SEE CHART
DOCUMENT NO.	SD-130008-009
SHEET NO.	1 OF 1