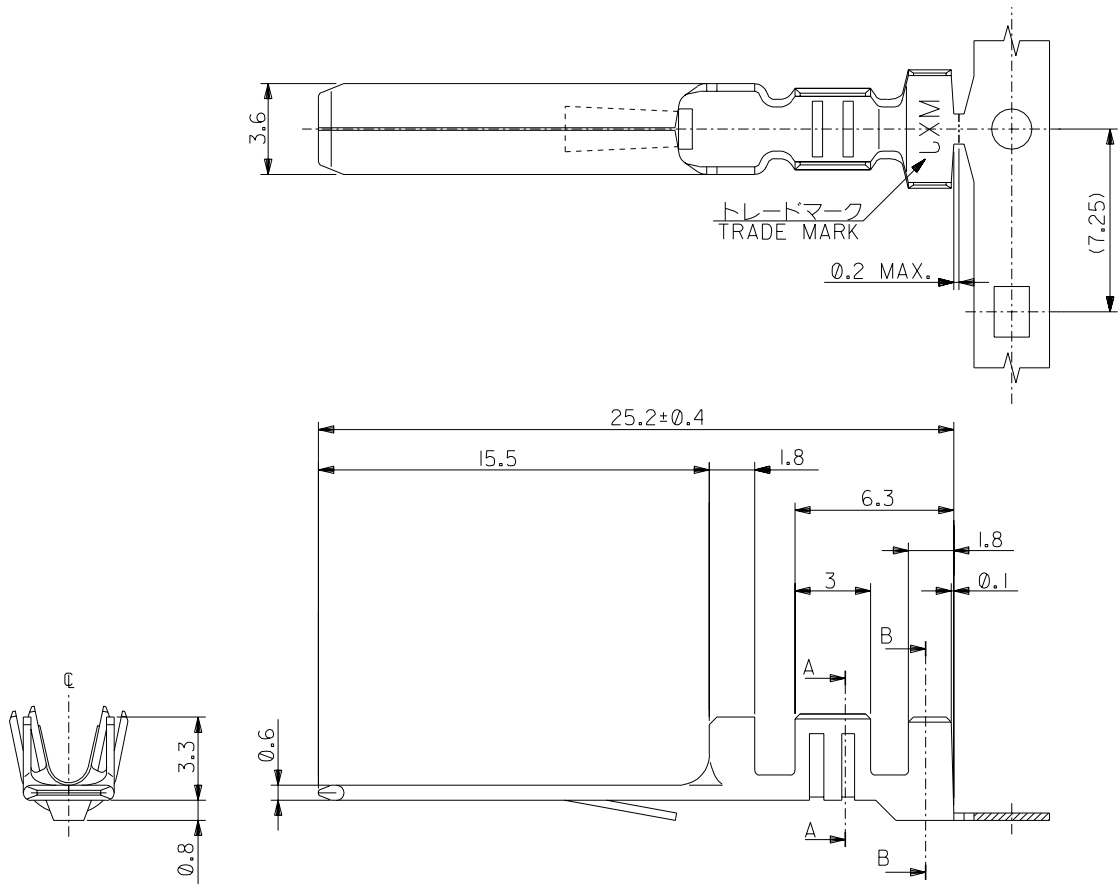


DWG. NO. SD-59320-002



注)
NOTES:

1. 材質
MATERIAL
黄銅 (板厚: 0.3)
BRASS (THICKNESS: 0.3)
2. メッキ仕様
TERMINAL PLATING
接点部: 金メッキ 0.25 μm MIN.
CONTACT AREA: GOLD 0.25 MICROMETER MIN.
圧着部: 錫メッキ 1.0 μm MIN.
CRIMP AREA: TIN 1.0 MICROMETER MIN.
下地メッキ: ニッケルメッキ 2.0 μm MIN.
UNDER PLATE: NICKEL 2.0 MICROMETER MIN.
3. 適用電線範囲: UL 2517, AWG #16
APPLICABLE WIRE RANGE: UL2517, AWG #16
4. 被覆外径: φ2.2~φ2.7
INSULATION EXTERNAL DIA: φ2.2~φ2.7
5. 適用ハウジングアッセンブリ: 51194 シリーズ
APPLICABLE HOUSING ASS'Y: 51194 SERIES
6. 本製品は59320-***90の鉛フリー品である。
THIS PRODUCT IS LEAD FREE OF 59320-***90.

バラ状 LOOSE	59320-9128	59320-***28
連鎖状 CHAIN	59320-9028	
端子形状 TERMINAL CONFIGURATION	MATERIAL No.	MODEL No.

DO NOT SCALE DRAWING

EC NO. DRWN: CHK: APPR:	EC NO. DRWN: CHK: APPR:	EC NO. DRWN: CHK: APPR:	EC NO. DRWN: CHK: APPR:	EC NO. DRWN: CHK: APPR:	RELEASED EC NO. J2004-3411 DRWN: Y.WADA '04/03/29 CHK: M.SASAO '04/03/29 APPR: M.SASAO '04/03/29	MATERIAL 材料	GENERAL TOLERANCES: (UNLESS SPECIFIED) 一般公差	SCALE 1:1	DESIGN UNITS <input checked="" type="checkbox"/> mm <input type="checkbox"/> INCH	THIRD ANGLE PROJECTION	DIMENSIONS: <input type="checkbox"/> mm <input type="checkbox"/> INCH <input checked="" type="checkbox"/> mm ONLY	SHT REV	
						FINISH 仕上げ	10 UNDER 未満	±0.2	DRAWN BY & DATE Y.WADA '04/03/29	TITLE: POWER CONN. REC. CRIMP TERMINAL -LEAD FREE-			
						WIRE RANGE 適用電線範囲	10 OVER 30 UNDER 以上 未満	±0.25	CHECKED BY & DATE M.SASAO '04/03/29	MOLEX MOLEX INCORPORATED			
						INS. RANGE 被覆外径	30 OVER 以上	±0.3	APPROVED BY & DATE M.SASAO '04/03/29	CAD FILENAME SD-59320-002.S01	MATERIAL NO. SEE CHART	DRAWING NO. SD-59320-002	SHEET NO. 1 OF 1
THIS DRAWING CONTAINS INFORMATION THAT IS PROPRIETARY TO MOLEX INCORPORATED AND SHOULD NOT BE USED WITHOUT WRITTEN PERMISSION.											SIZE B		