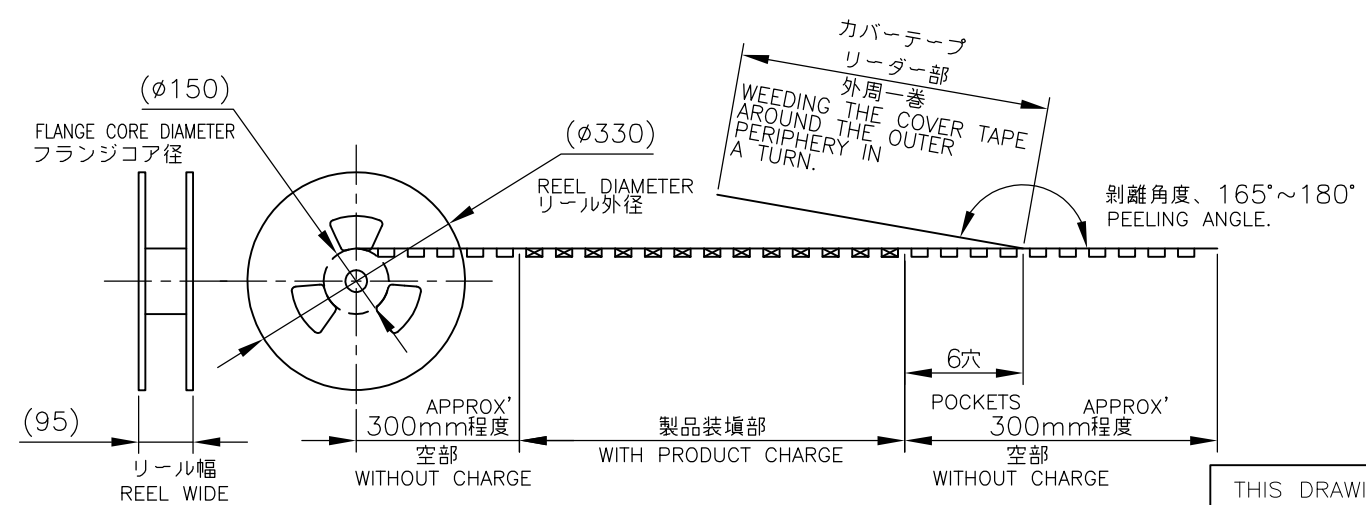
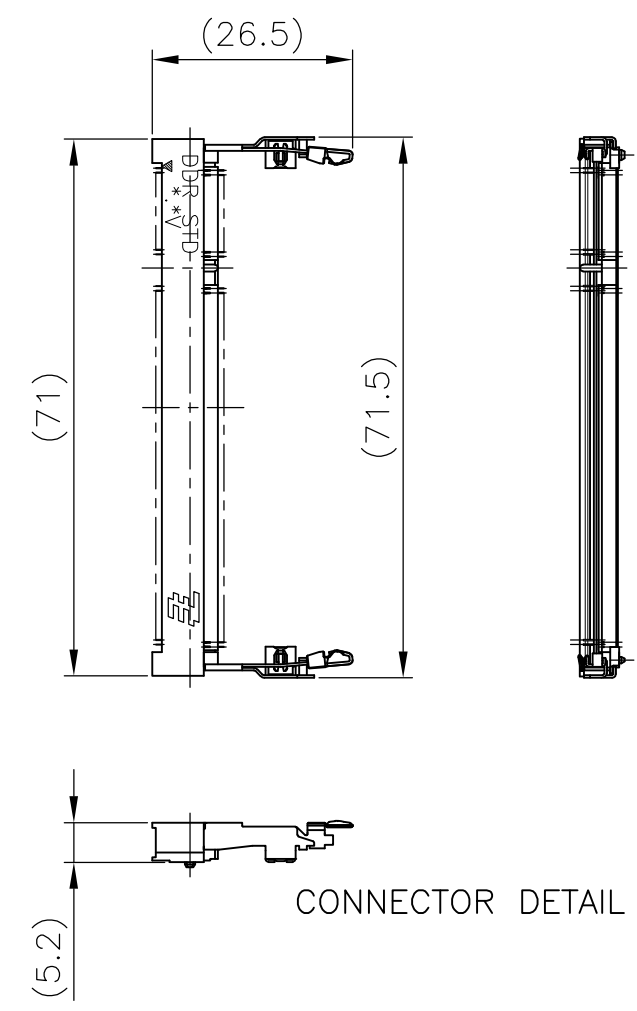
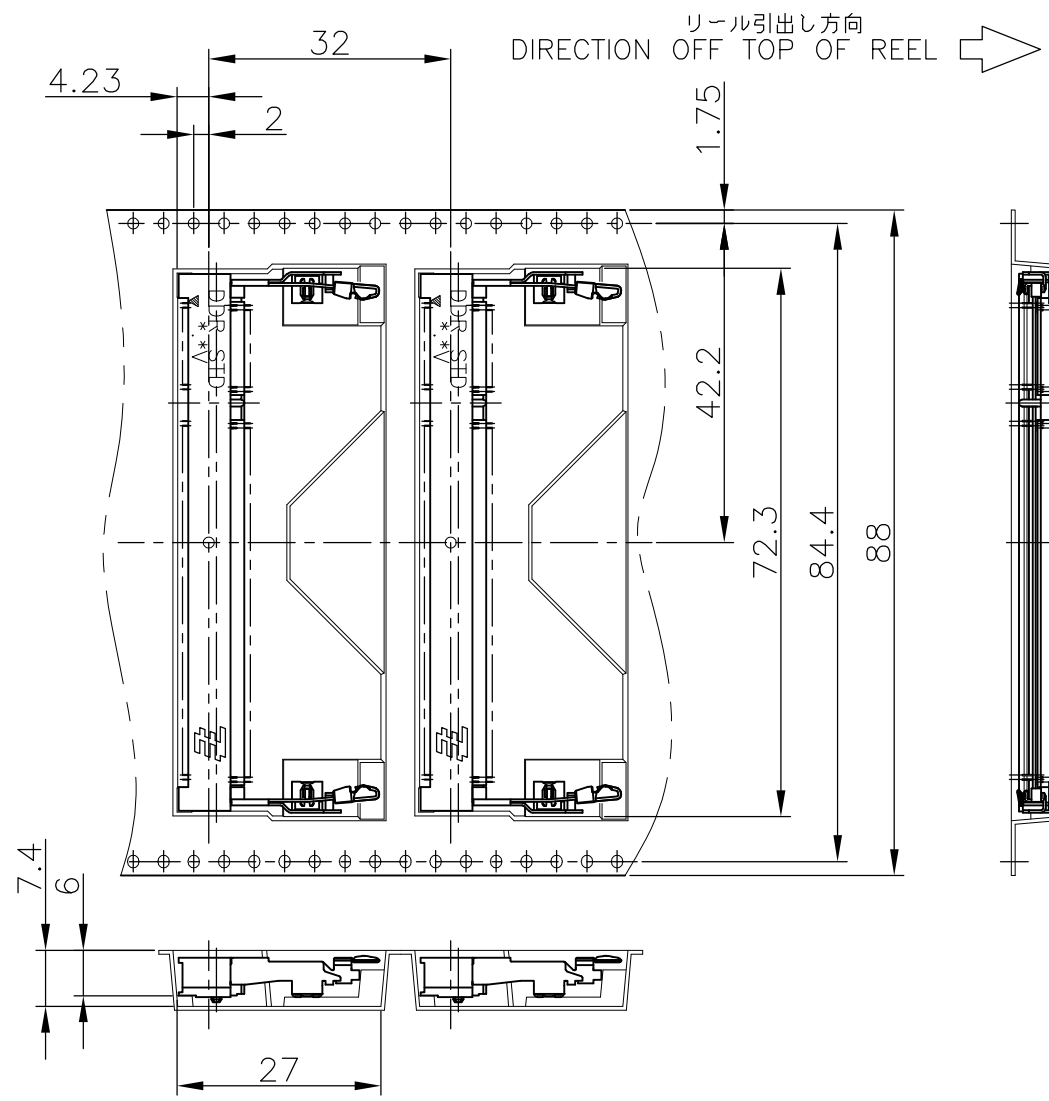


THIS DRAWING IS UNPUBLISHED. RELEASED FOR PUBLICATION DEC. 2001.  
 © COPYRIGHT 2001 By - ALL RIGHTS RESERVED.

LOC	DIST	REVISIONS					
		P	LTR	DESCRIPTION	DATE	DWN	APVD
J			D2	REVISED PER ECO-11-005033	24MAR11	RK	HMR



鉛フリー  
LEAD FREE

1.8V (DDR2)	150EA/REEL	1565711-4	1565917-4
2.5V (DDR1)	150EA/REEL	1565711-3	1565917-1
POWER SUPPLY (TYPE)	QTY	CONNECTOR P/N	P/N

THIS DRAWING IS A CONTROLLED DOCUMENT.

DWN	T.FUMIKURA	14DEC01
CHK	T.KUSUHARA	14DEC01
APVD	T.KUSUHARA	14DEC01

NAME 名称: EMBOSS ASSEMBLY  
 DDR1 & DDR2 SODIMM SOCKET 200P  
 STANDARD PROFILE STANDARD TYPE

SIZE	CAGE CODE	DRAWING NO	RESTRICTED TO
A3	00779	C-1565917	

SCALE 尺度: 1:1  
 SHEET 1 OF 1  
 REV D2

CUSTOMER DRAWING