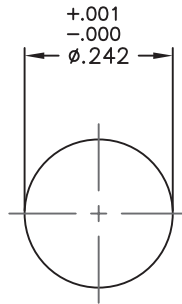
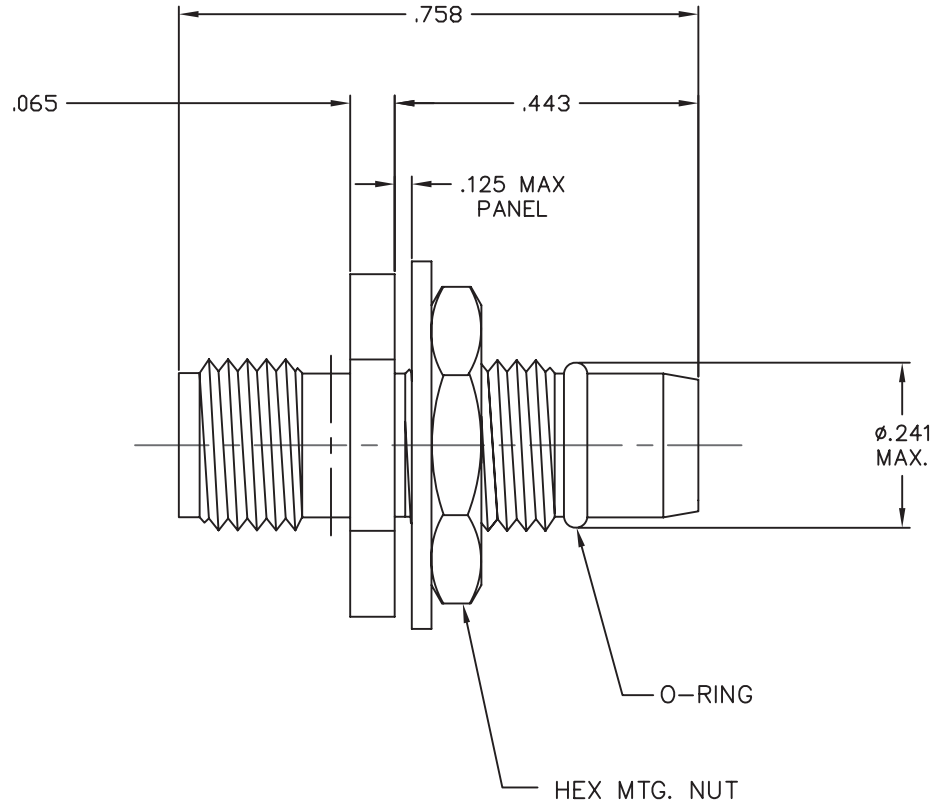


MODEL NUMBER
ADT-2797-SF-BMM-02

NOTES:

- 1.0 MATERIAL:
 - 1.1 HOUSING: STAINLESS STEEL PER ASTM-A582 TYPE 303.
 - 1.2 DIELECTRIC: PTFE FLUOROCARBON PER MIL-P-19468 AND L-P-403.
 - 1.3 CENTER CONTACT: BERYLLIUM COPPER ROD ALLOY C172 PER QQ-C-530
- 2.0 PLATING:
 - 2.1 HOUSING: PASSIVATED PER QQ-P-35 AND MIL-F-14072.
 - 2.2 CENTER CONTACT: GOLD PER MIL-G-45204 TYPE II, CLASS 2.
- 3.0 MECHANICAL:
 - 3.1 INTERFACE PER MIL-STD-348 IN ACCORDANCE WITH MIL-C-39012.
 - 3.2 CENTER CONTACT CAPTURED IN ACCORDANCE WITH MIL-A-55339.
- 4.0 DIMENSIONS IN PARENTHESIS ARE MILLIMETERS.
- 5.0 ELECTRICAL:
 - 5.1 FREQUENCY RANGE: DC to 18GHz
 - 5.2 MAX V.S.W.R.: 1.05+.005 (GHz)
- 6.0 BAGGING:
 - 6.1 BAG LOCK WASHER, NUT AND GASKET LOOSE.




RECOMMENDED MOUNTING HOLE

REV.	DESCRIPTION	DATE
-	RELEASED	6/28/99
A	ECN 19666	3/3/04

NOTICE: The information contained in this drawing is proprietary and must not be used without the permission of Cinch Connectivity Solutions.

UNLESS OTHERWISE NOTED DIMENSIONS ARE IN INCHES AND TOLERANCES ARE:
 3 PLACE DECIMALS ±.005
 2 PLACE DECIMALS ±.02
 FRACTIONS ±1/64
 PARALLELITY: T.I.R. _____
 FLATNESS: T.I.R. _____
 CONCENTRICITY: T.I.R. _____
 ANGLES AND PERPENDICULARITY: ±1'

CAGE CODE 34078		MIDWEST MICROWAVE	
		TITLE SMA FEMALE JACK TO BMA MALE PLUG OUTLINE DRAWING	
		DRAWN/DATE M. STAFFORD 6/2/99	ENG./DATE G. HOUGHTON 6/28/99
CHECKED/DATE		APPROVED/DATE	
SCALE: 5=1		SHEET 1 of 1	