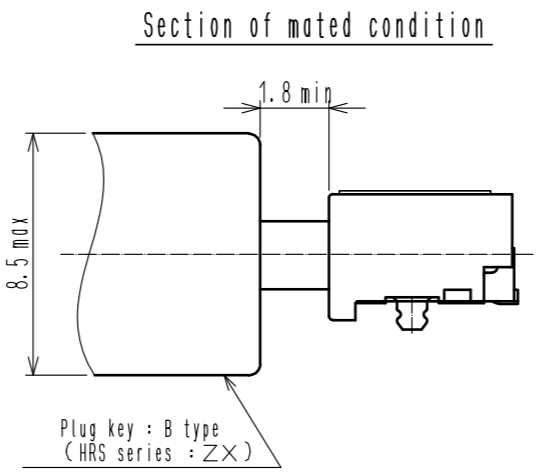
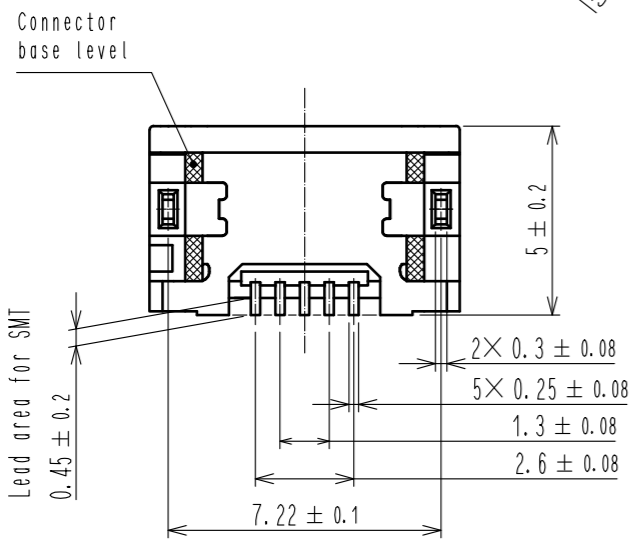
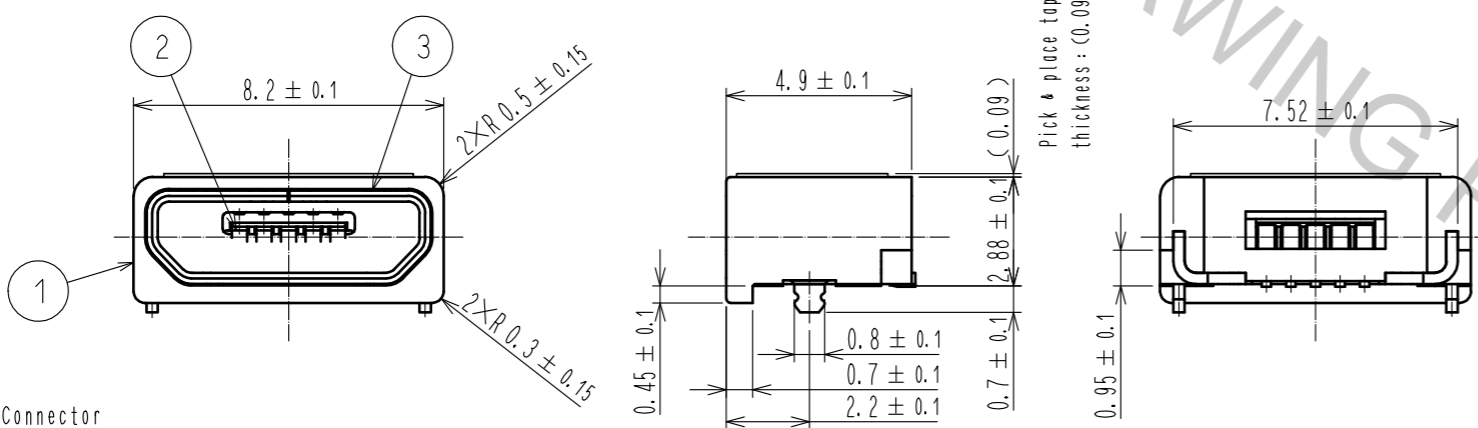
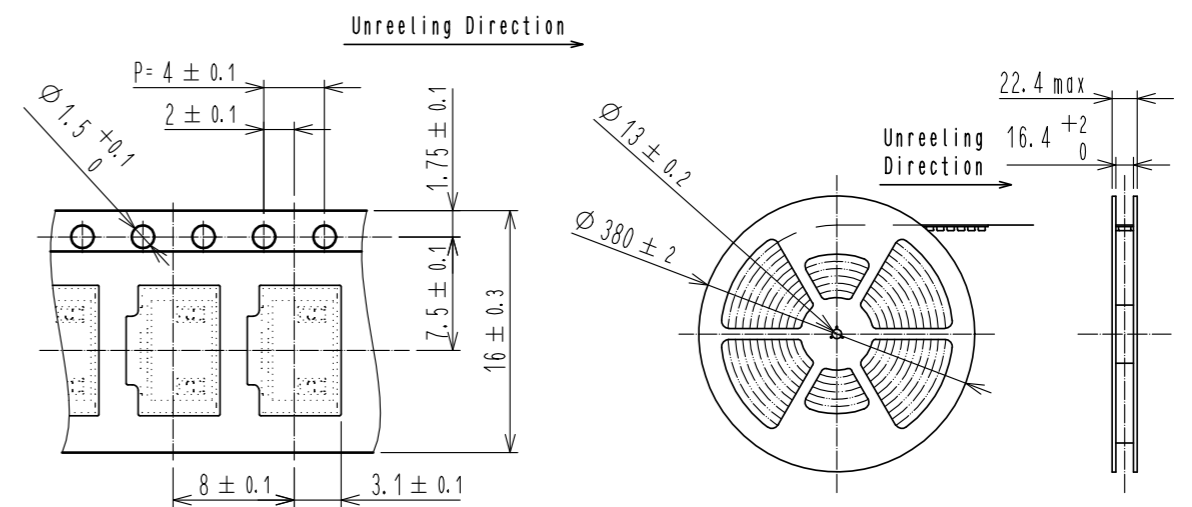
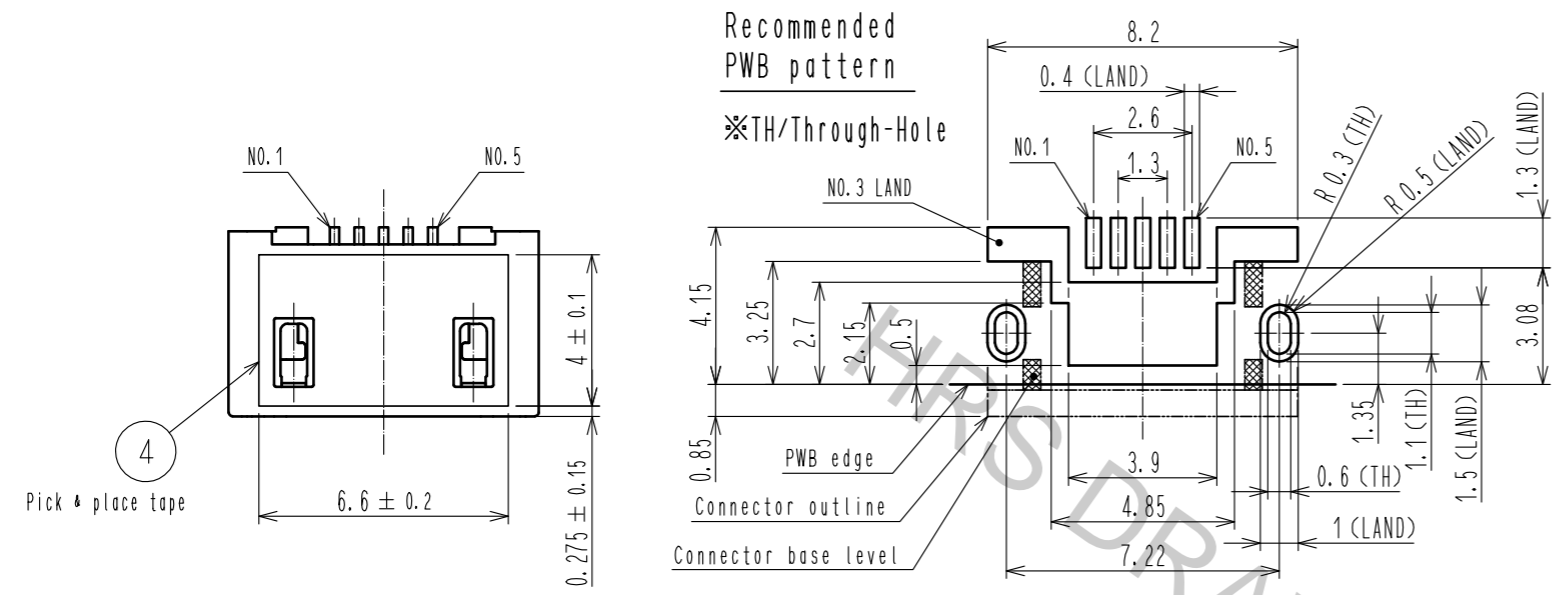


Drawing for packing (FREE)



- Remark) 1. Co-planarity is within 0.08mm
 2. Plating
 Contact area: Palladium -Nickel 0.75um MIN + Gold 0.05um MIN
 Lead area: Gold 0.05um MIN
 Under plating: Nickel 2um MIN
 3. Opening area shape: Conform to USB2.0 standard
 4. Per reel: 3000 pcs

| | | | | | | | |
|-------------------------|-----------------|---|-------------------------------|--|-----------------------|---------------------------|--------------------|
| 3 | Stainless-Steel | Gold 0.01µm min (Selective mating and soldering area) Lubricant | 6 | PE | Top cover tape | | |
| 2 | Copper-Alloy | 2 | 5 | PS | Embossed carrier tape | | |
| 1 | LCP | Black UL94V-0 | 4 | PI | Pick & place tape | | |
| NO. | MATERIAL | FINISH, REMARKS | NO. | MATERIAL | FINISH, REMARKS | | |
| UNITS mm | ⊙ | SCALE 5 : 1 | COUNT 1 | DESCRIPTION OF REVISIONS DIS-E-00000909 | DESIGNED TY. MIURA | CHECKED NM. NISHIMATSU | DATE 17. 03. 24 |
| APPROVED : RI. TAKAYASU | | 11. 06. 20 | DRAWING NO. EDC3-126992-02 | | | | |
| CHECKED : TA. ASO | | 11. 06. 20 | PART NO. ZX62WD1-B-5PC | | | | |
| DESIGNED : WR. YAMADA | | 11. 06. 20 | CODE NO. CL242-0121-3-00 | | | | |
| DRAWN : WR. YAMADA | | 11. 06. 20 | | | | | |