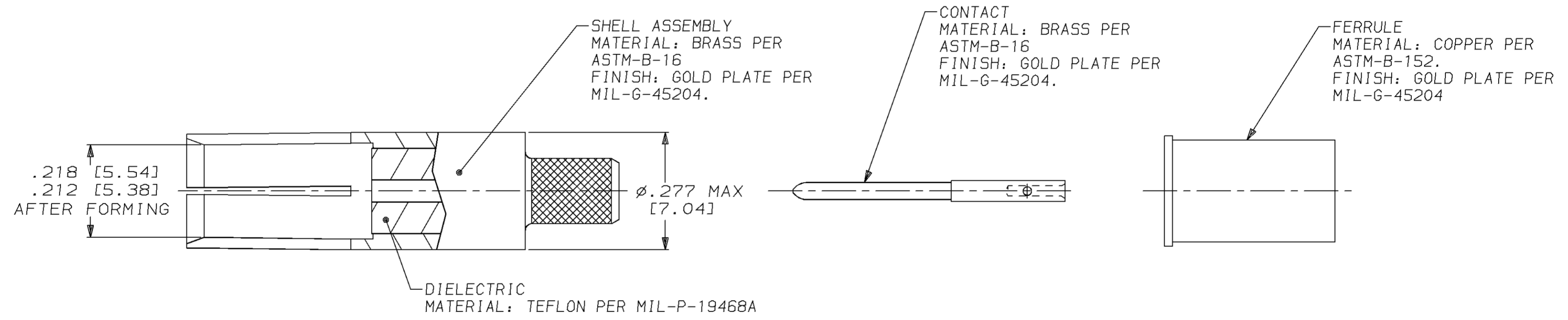
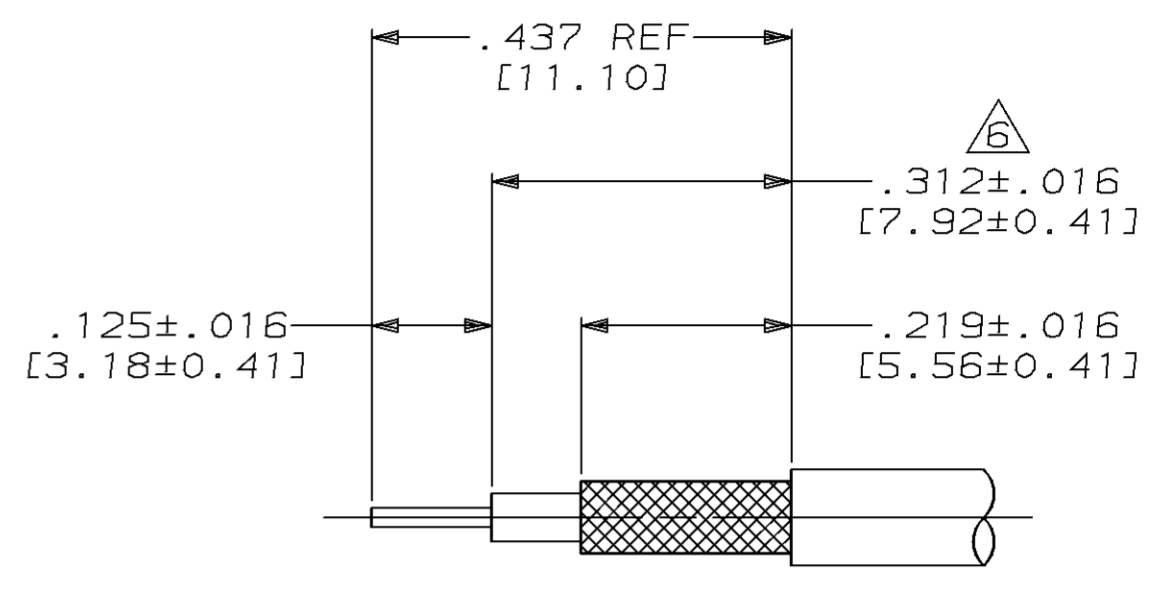
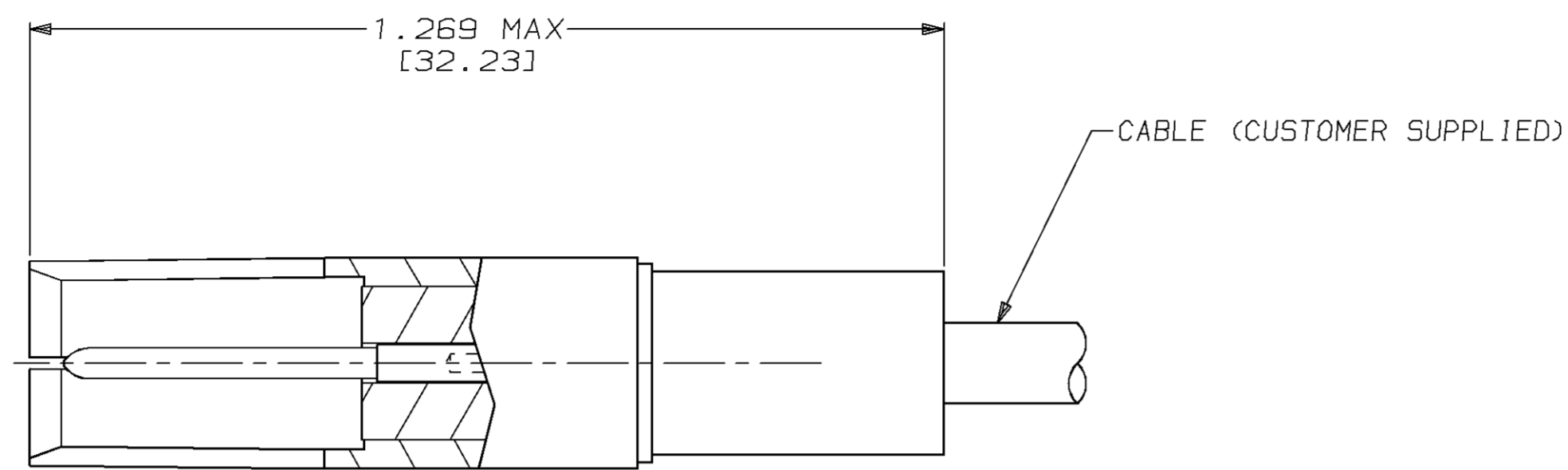


PROD		LOC	DIST	P		F		ZONE		LTR	REVISIONS		DATE	APPD
CODE											DESCRIPTION			
3321		DF	XO							K	REV & REDRAWN; 0600-1969-94	CT	2-95	JD

ASSEMBLED VIEW



- FOR USE WITH RG-58 C/U & 141 A/U COAX CABLE.
- FERRULE CRIMPING TOOL: AMP TOOL #220066-1 OR 220066-2 CRIMP B.
- CONTACT CRIMPING TOOL: M22520/2-01 OR AMP TOOL NUMBER 601966-1, SETTING NUMBER 5. DANIELS POSITIONER PART NO. K345 OR AMP TOOL NO. 1-601966-6.
- SEE I.S.2348.
- DANIELS MANUFACTURING CORP
2266 FRANKLIN ROAD
BLOOMFIELD HILLS, MI 48013
- OUTER JACKET OF CABLE MUST BE TRIMMED TO ALLOW PROPER INTER-PIN CONTACT LOCATION AFTER FERRULE CRIMP OPERATION.
- PARTS SHIPPED UNASSEMBLED AND CABLE IS SUPPLIED BY CUSTOMER.

THIS DRAWING IS A CONTROLLED DOCUMENT FOR AMP INCORPORATED. IT IS SUBJECT TO CHANGE AND THE CONTROLLING ENGINEERING ORGANIZATION SHOULD BE CONTACTED FOR THE LATEST REVISION.

DO NOT SCALE PRINT. UNLESS SPECIFIED DIMENSIONS IN INCHES [mm] TOLERANCES ON : 2 PLC DEC ± - 3 PLC DEC ± - ANGLES ± -	DR 2-1-95 C.C.THOMAS	AMP Incorporated Harrisburg, PA 17105-3608		
	CHK 2-2-95 J.DUNBAR			
MATERIAL SEE CALLOUTS	APPD 2-2-95 J.DUNBAR	NAME CONNECTOR, COAXIAL, RF SOCKET SIZE 5, ARINC (HEX CRIMP)		
	APPD 2-2-95 C.C.THOMAS	SIZE C 00779		
FINISH SEE CALLOUTS	PRODUCT SPEC -	DRAWING NO G=225791-1		
	APPLICATION SPEC -	SCALE 5:1		
WEIGHT -		SHEET 1 OF 1		

225791-1
PART NO.