

4

3

2

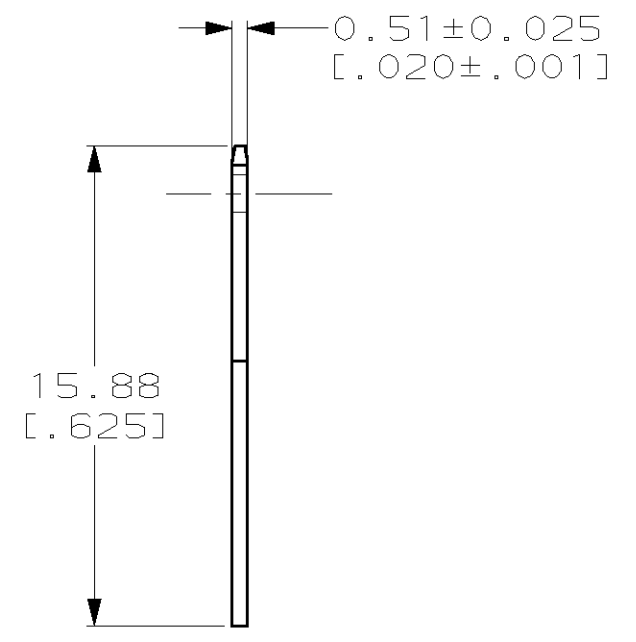
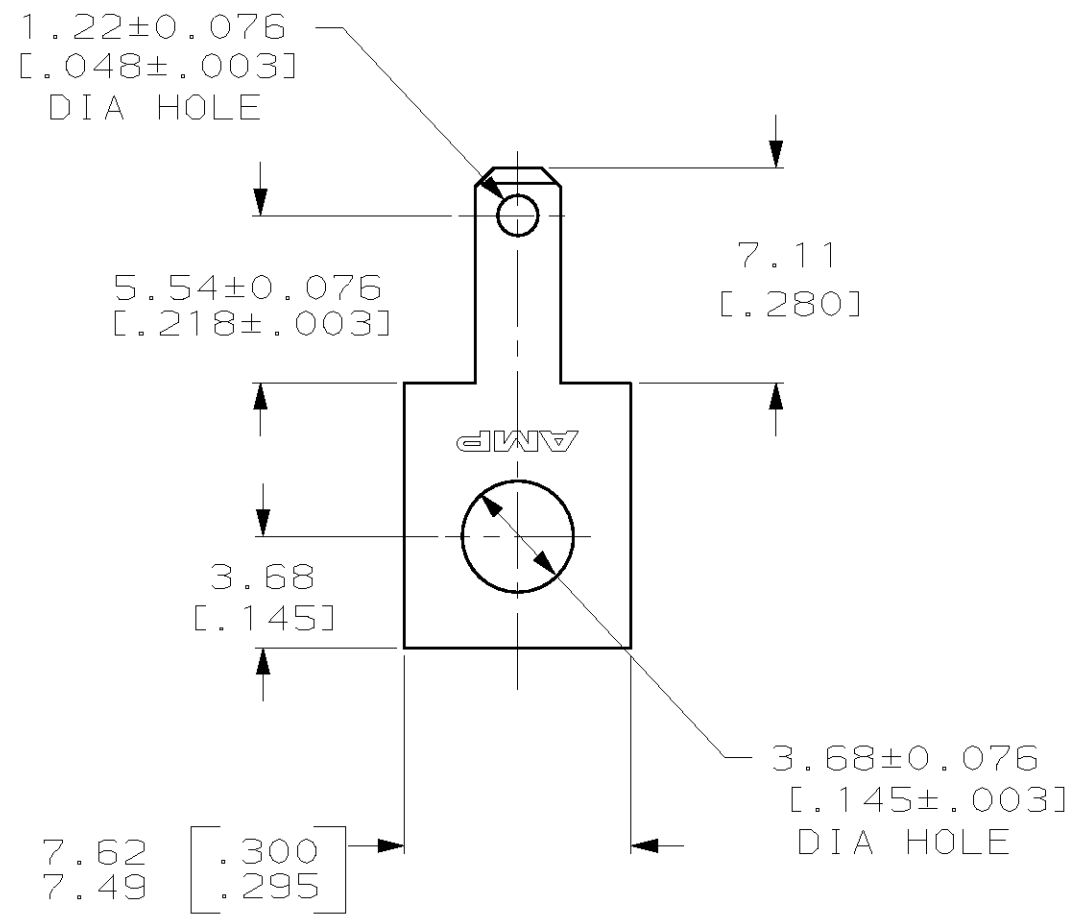
1

THIS DRAWING IS UNPUBLISHED. RELEASED FOR PUBLICATION, 19 .

© COPYRIGHT 19 BY AMP INCORPORATED. ALL RIGHTS RESERVED.

LOC	DIST	REVISIONS					
AF	00	P	LTR	DESCRIPTION	DATE	DWN	APVD
		A		REDRAWN & REV PER OL10-0395-97	9/19/97	JR	JH

1 SUPPLIED IN LOOSE PIECE.



PROPOSED DESIGN NOT RELEASED FOR PRODUCTION

1217008-1
PART NO.

THIS DRAWING IS A CONTROLLED DOCUMENT.		DWN JR RUTH 9/12/97	AMP AMP Incorporated Harrisburg, PA 17105-3608
DIMENSIONS: INCHES		CHK MS FEHER 9/12/97	
TOLERANCES UNLESS OTHERWISE SPECIFIED:		APVD J HUZVAR 9/12/97	NAME TAB, FASTON™, 2.79 [.110] SERIES
0 PLC ±- 1 PLC ±- 2 PLC ±0.25 [.010] 3 PLC ±- 4 PLC ±- ANGLES ±-		PRODUCT SPEC -	APPLICATION SPEC -
MATERIAL 082 BRASS	FINISH 0.002032 [.000080] MIN TIN	WEIGHT -	SIZE A3
CUSTOMER DRAWING		CAGE CODE 00779	DRAWING NO C-1217008
		SCALE 4:1	SHEET 1 OF 1
		REV A	