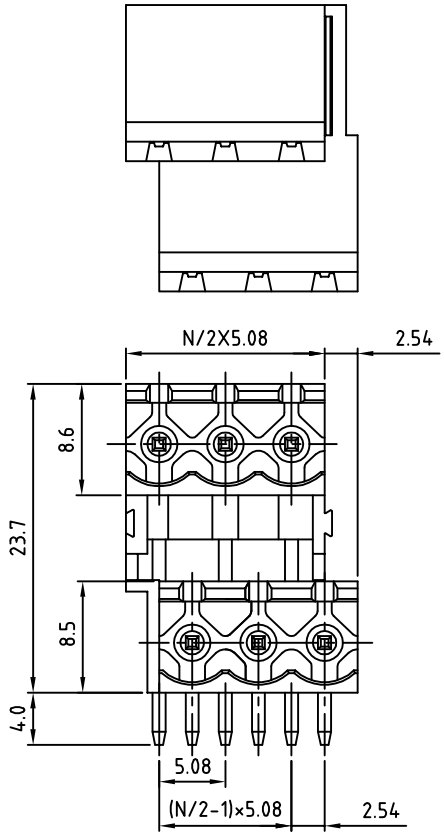
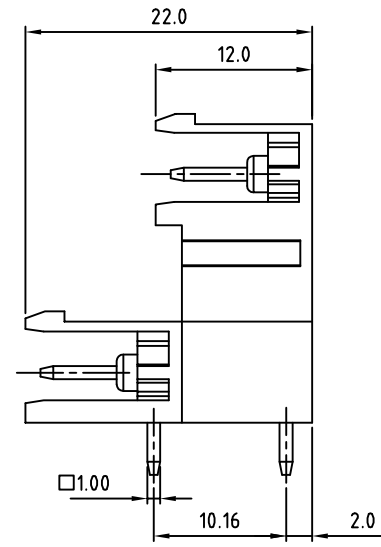


| SIGN | DATE | DESCRIPTION | APPROVER |
|------|------|-------------|----------|
| | | | |



N= Number of poles



Material

- Contact pin: Brass
- Surface of solder tail: Tin plated
- Insulator (housing): Thermoplastic (UL94V-0)

Electrical

- Voltage rating: 300VAC
- Current rating: 15A
- Withstanding Voltage: 1.6KV
- Operating temperature: -30°C to +105°C
- Soldering temperature: 250°C±10°C/5 Sec
- Safety approval: (cULus) pending

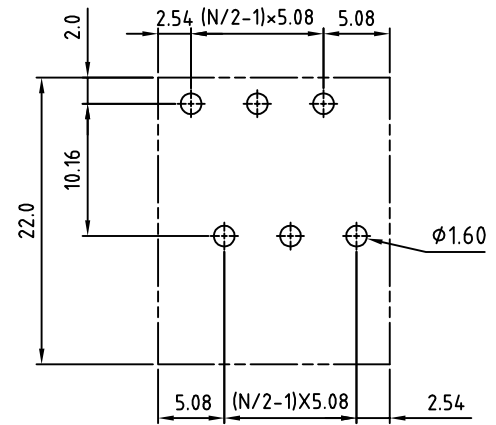
RoHS Compliant

PART NUMBER:

OSTVFXX5051

| | | |
|----------------|--|---------------------|
| No. of Poles | | COLOR |
| 04: 2x02 Poles | | 0: Black |
| 06: 2x03 Poles | | 5: Green (Standard) |
| : | | 6: Blue |
| 48 2x24 Poles | | 8: Grey |

P.C.B LAYOUT



THESE DRAWINGS AND SPECIFICATIONS ARE THE PROPERTY OF ON-SHORE TECHNOLOGY, INC. AND SHALL NOT BE REPRODUCED, COPIED OR USED IN ANY MANNER WITHOUT THE PRIOR WRITTEN CONSENT OF ON-SHORE TECHNOLOGY, INC.



| | | | | | | |
|-----------------------|----------------------|---|----------------------|--------------|-------------|-----------------|
| TITLE | | OSTVF-5.08mm Series open right-angle 2x2p-2x24p | | | | |
| PART NO. | | OSTVFXX5051 | | DWG NO. | | OSTVFXX5051.DWG |
| APPROVED | CHECKED | DESIGNED | DRAWN | CUST NO. | Tolerance | |
| Shi Jun 2006.11.07 | Marvin 2006.11.07 | Marvin 2006.11.07 | Marvin 2006.11.07 | | UNIT: mm | X. ±0.50 |
| | | | | | SCALE: NONE | X.X ±0.30 |
| | | | | SHEET: 01/01 | REV: C | X.XX ±0.10 |
| | | | | | | X° ±1° |