



PRODUCT DATASHEET

Tina series

last update 26/2/2014

DETAILS

Product Number	FA12040_TINA-M
Family	Tina
Type	Assembly
Color	white
Diameter	16,1 mm
Height	9,4 mm
Style	round
Optic Material	PMMA
Holder Material	
Fastening	pin, tape
Status	production ready
ROHS Compliant	Yes
Date Updated	26/02/2014

OPTICAL PROPERTIES

	Viewing	Light	Effi-		
LED	Angle	Beam	ciency	cd/lm	Connector
LUXEON A	32 deg	Medium	89 %	-	-

D

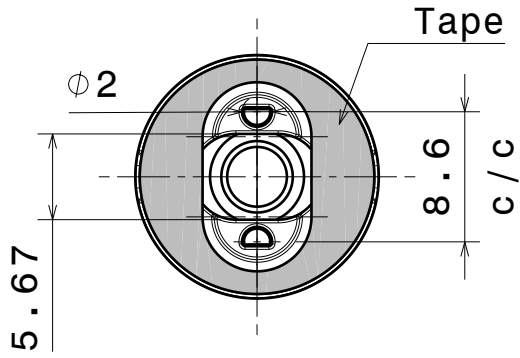
C

B

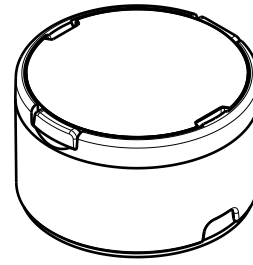
A

4

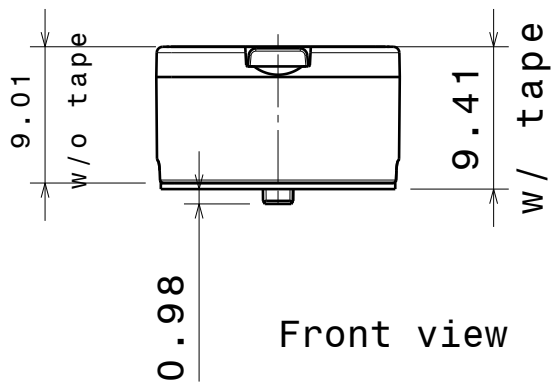
4



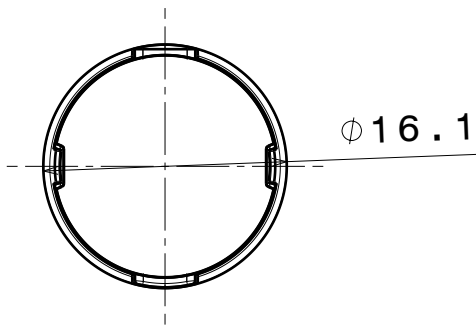
Bottom view



Isometric view



Front view



Top view

Materials
 Lens: PMMA
 Holder: PC
 Tape: PU Foam

3

3

2

2

1

1

This drawing is our property.
 It can't be reproduced
 or communicated without
 our written agreement.



Ledil Oy
 Salorankatu 10
 FIN 24240 SALO
 Finland

DRAWING TITLE Mechanical Drawing

DRAWN BY
 as

DATE
 10.9.2012

TINA-RE

CHECKED BY
 sn

DATE
 -

SIZE
 A4

PART NUMBER
 TINA-RE

REV
 001

DESIGNED BY
 -

DATE
 -

SCALE 2:1

WEIGHT 1,46 g

SHEET 1/1

D

A

NOTE: The typical divergence will be changed by different color, chip size and chip position tolerance. The typical total divergence is the full angle measured where the luminous intensity is half of the peak value.