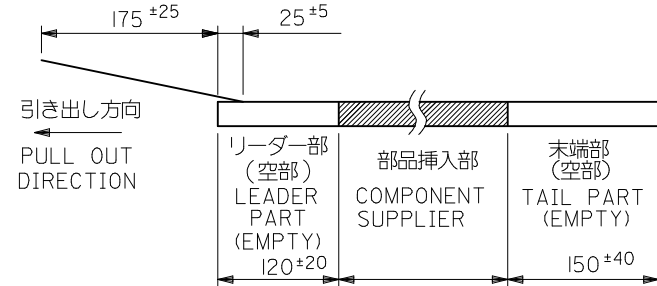


注記 NOTES

1. 梱包数量：1000個/リール NUMBER OF CONNECTORS:1000PCS/REEL

2. リードテープ長さ LEAD TAPE LENGTH

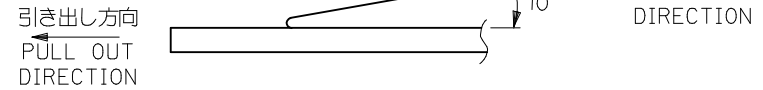
トップテープ TOP TAPE  
リーダー部 LEADER PART      トップテープ TOP TAPE  
未接着部 NON-BONDED PART



3. トップテープの剥離強度：(剥離方向は下図参照)

0.1N ~ 1.3N(10gf ~ 130gf) 尚、本規格値は、出荷時に適用。  
(但し、輸送時に剥離が発生しない事。)

PEELING OFF FORCE OF TOP TAPE  
0.1N ~ 1.3N(10gf ~ 130gf) (PEELING DIRECTION AS SHOWN IN FOLLOWING FIG.)  
THIS REQUIREMENT SHOULD BE APPLIED AT SHIPMENT  
PEEL OFF SHOULD NOT BE ALLOWED,  
DURING TRANSPORTATION

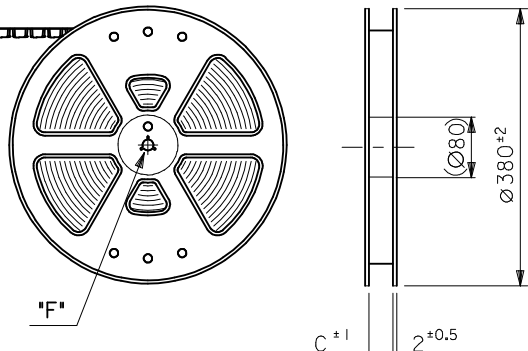
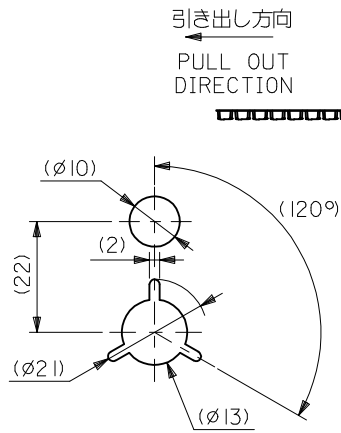


4. 材料

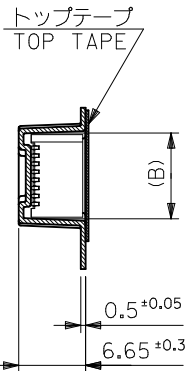
MATERIAL

キャリアテープ：ポリプロピレン (PP) CARRIER TAPE:POLYPROPYLENE  
トップテープ：PET, PE, PEF TOP TAPE:PET,PE,PEF  
リール：ポリスチレン (PS) REEL:POLYSTYREN(PS)  
<リサイクル材を含む> <RECYCLE MATERIAL CONTAINED>

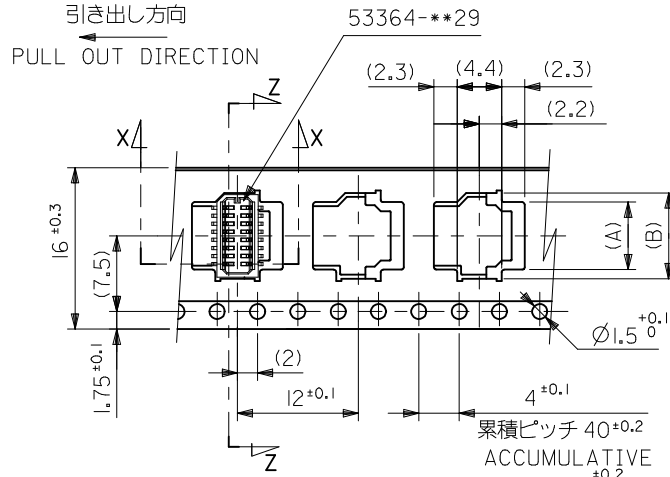
5. 本製品は 53364-\*\*91 の鉛フリー品である。  
THIS PRODUCT IS LEAD FREE OF 53364-\*\*91.



DETAIL "F"



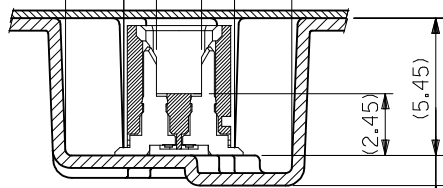
SECT. Z-Z



(2.3) (4.4) (2.3)

16mm幅キャリアテープ

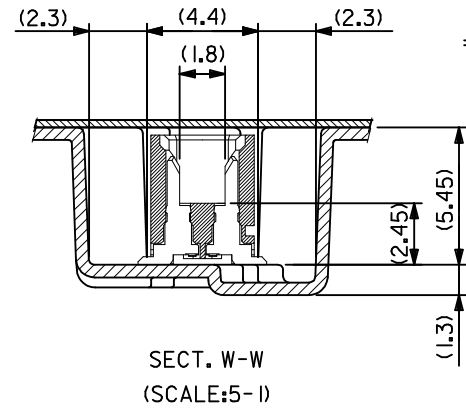
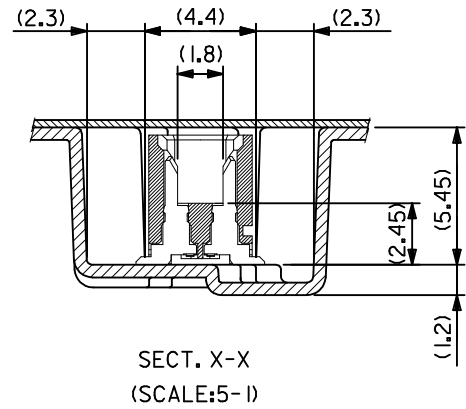
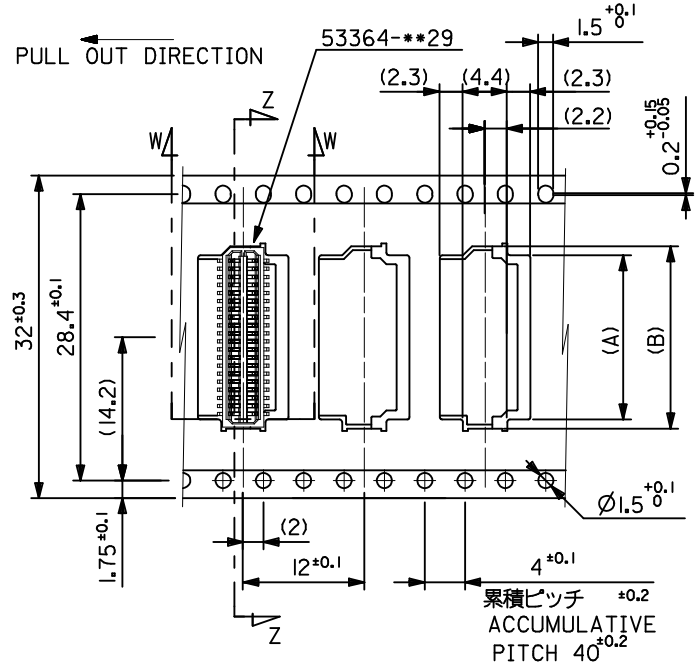
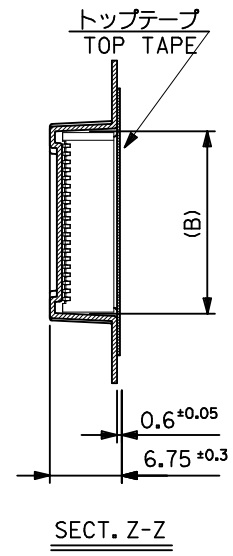
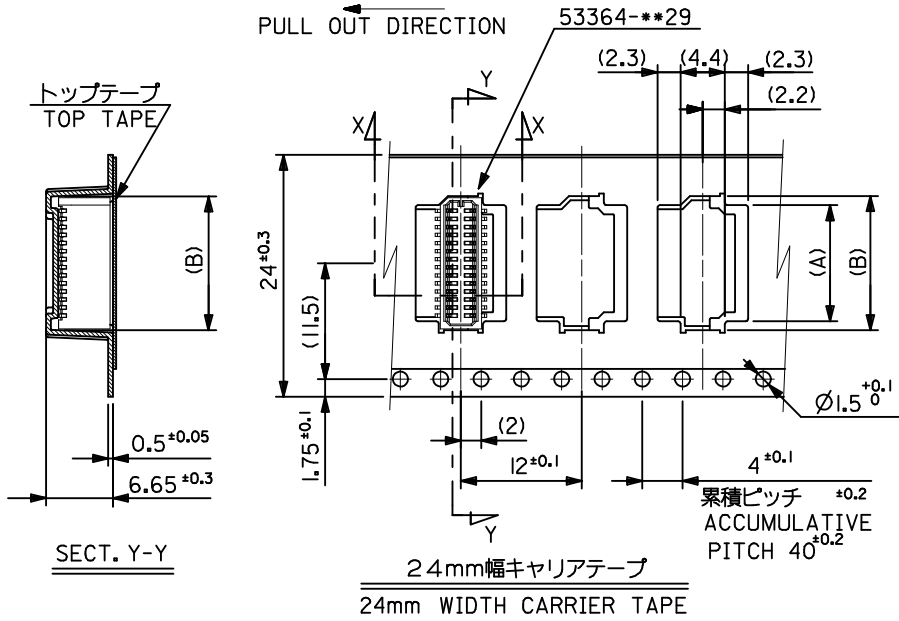
16mm WIDTH CARRIER TAPE



SECT. X-X  
(SCALE:5-1)

16	17.5	9.3	7.5	53364-1871	18
キャリアテープ幅 CARRIER TAPE WIDTH	C	(B)	(A)	MATERIAL. NO.	極数 CIRCUIT

REVISED EC NO: J2016-0873 DRWN:HON001 CHKD:RTAKEUCHI APPR:KMORIKAWA	DESCRIPTION 2016/02/12 2016/02/25 2016/02/29	GENERAL TOLERANCES (UNLESS SPECIFIED)		DIMENSION STYLE MM ONLY		SCALE ---	DESIGN UNITS METRIC	THIRD ANGLE PROJECTION	
		0.25 UNDER	UNDER	±0.03	DRAWN BY MNINOMIYA	DATE 2003/12/11	TITLE 0.8 BTB CONN WAFER ASSY ST SMT WITHOUT BOSS -LEAD FREE-		
		0.25 OVER	0.5 UNDER	±0.05	CHECKED BY KTOJO	DATE 2003/12/11	molex		
		0.5 OVER	1.0 UNDER	±0.1	APPROVED BY	DATE			
1.0 OVER	10 UNDER	±0.20	DRAFT WHERE APPLICABLE MUST REMAIN WITHIN DIMENSIONS		SIZE A3	THIS DRAWING CONTAINS INFORMATION THAT IS PROPRIETARY TO MOLEX ELECTRONIC TECHNOLOGIES, LLC AND SHOULD NOT BE USED WITHOUT WRITTEN PERMISSION			
10 OVER	30 UNDER	±0.25							
30 OVER		±0.30							



32	33.5	18.9	17.1	53364-4271	42
24	25.5	16.5	14.7	53364-3671	36
		14.1	12.3	53364-3071	30
		10.1	8.3	53364-2071	20
キャリアテープ幅 CARRIER TAPE WIDTH	C	(B)	(A)	MATERIAL NO.	極数 CIRCUIT

REVISED EC NO: J2016-0873 DRWN: HON001 CHKD: RTAKEUCHI APPR: KMORIKAWA 2016/02/12 2016/02/25 2016/02/29	GENERAL TOLERANCES (UNLESS SPECIFIED)		DIMENSION STYLE MM ONLY		SCALE ---	DESIGN UNITS METRIC	THIRD ANGLE PROJECTION
	0.25 UNDER	UNDER	±0.03	DRAWN BY MNINOMIYA	DATE 2003/12/11	TITLE 0.8 BTB CONN WAFER ASSY ST SMT WITHOUT BOSS -LEAD FREE-	
	0.25 OVER	0.5 UNDER	±0.05	CHECKED BY KTOJO	DATE 2003/12/11	<b>molex</b> SD-53364-***71	
	0.5 OVER	1.0 UNDER	±0.1	APPROVED BY	DATE		
	1.0 OVER	10 UNDER	±0.20	MATERIAL NO. SEE CHART		DOCUMENT NO. SD-53364-***71	SHEET NO. 2 OF 2
10 OVER	30 UNDER	±0.25	DRAFT WHERE APPLICABLE MUST REMAIN WITHIN DIMENSIONS		THIS DRAWING CONTAINS INFORMATION THAT IS PROPRIETARY TO MOLEX ELECTRONIC TECHNOLOGIES, LLC AND SHOULD NOT BE USED WITHOUT WRITTEN PERMISSION		

10 9 8 7 6 5 4 3 2 1

F

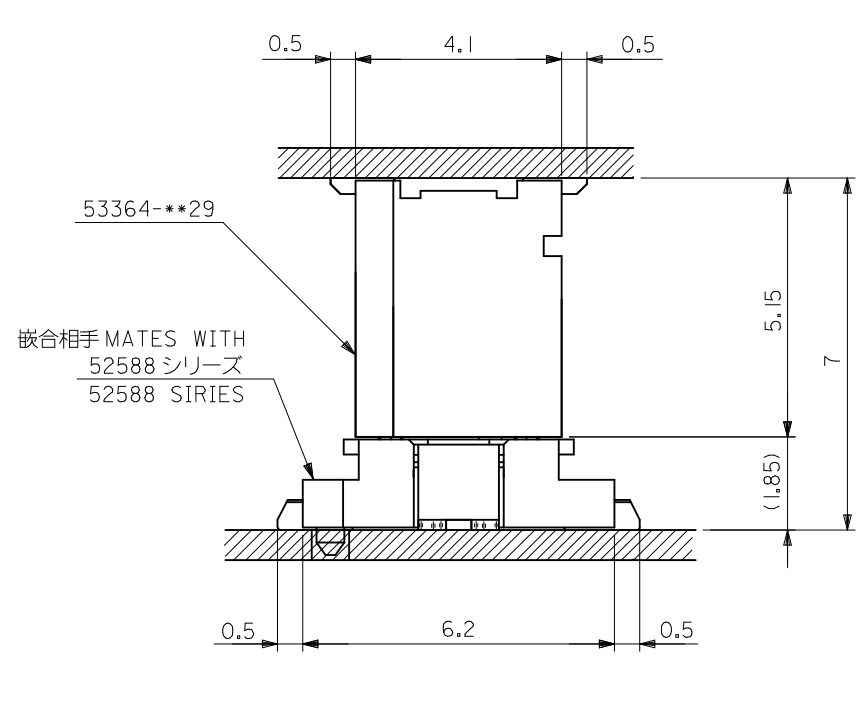
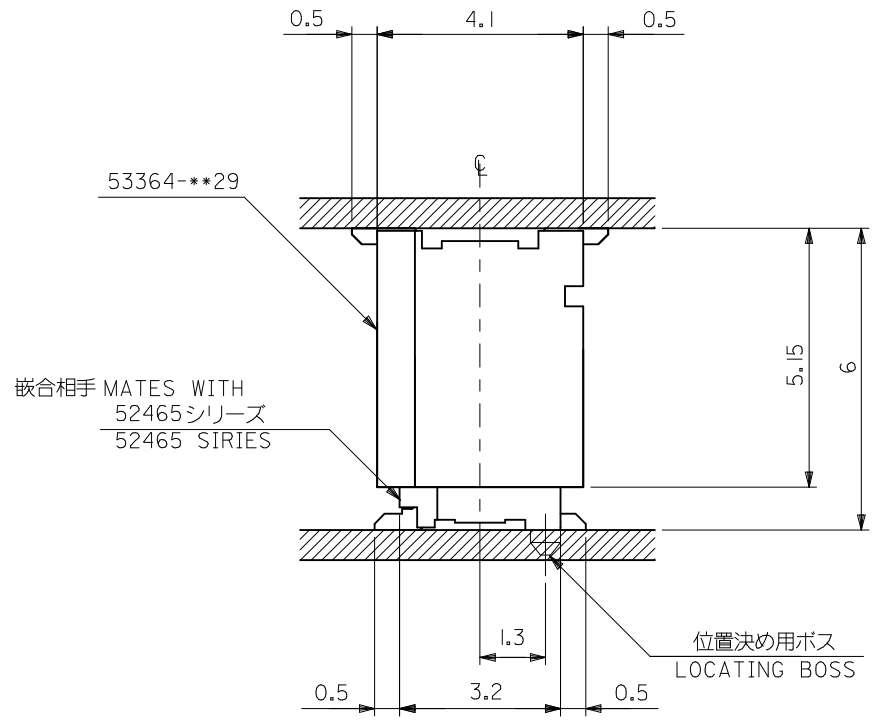
E

D

C

B

A



嵌合状態図 (参考)  
MATED DRAWING (REF.)

REVISED EC NO: J2016-1237 DRW: M. NINOMIYA CHKD: Y. ITO APPR: Y. ITO	GENERAL TOLERANCES (UNLESS SPECIFIED)			DIMENSION STYLE MM ONLY		SCALE	DESIGN UNITS METRIC	THIRD ANGLE PROJECTION
	0.25 UNDER	UNDER	±---	DRAWN BY	DATE	TITLE		
	0.25 OVER	0.5 UNDER	±---	M. NINOMIYA	'03/12/11	0.8 BOARD TO BOARD CONN. WAFER ASSY ST. SMT -LEAD FREE-		
	0.5 OVER	1.0 UNDER	±---	CHECKED BY	DATE	<b>molex</b> DOCUMENT NO. SD-53364-003 SHEET NO. 2 OF 2		
	1.0 OVER	10 UNDER	±---	K. TOJO	'03/12/11			
	10 OVER	30 UNDER	±---	APPROVED BY	DATE	SEE SHEET 1		
30 OVER		±---	M. SASAO	'03/12/11	THIS DRAWING CONTAINS INFORMATION THAT IS PROPRIETARY TO MOLEX ELECTRONIC TECHNOLOGIES, LLC AND SHOULD NOT BE USED WITHOUT WRITTEN PERMISSION			
ANGULAR		±--- °	DRAFT WHERE APPLICABLE MUST REMAIN WITHIN DIMENSIONS		SIZE A3			

9 8 7 6 5 4 3 2 1