



PRODUCT DATASHEET

Florence series

last update 5/12/2016

DETAILS

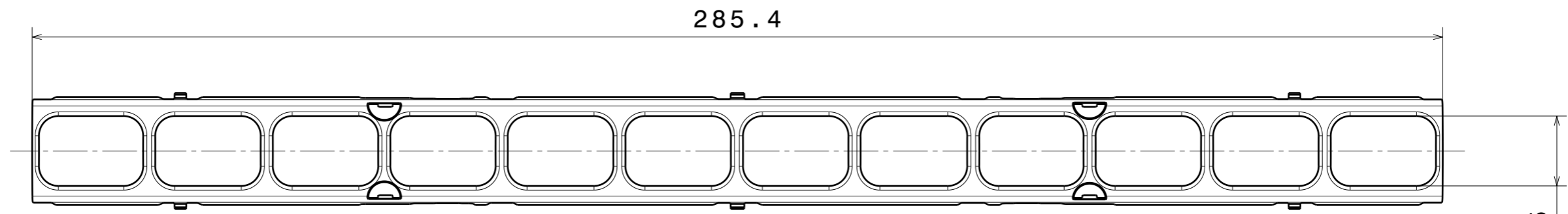
| | |
|------------------------|----------------------------|
| Product Number | C14593_FLORENCE-1R-SHD-BLK |
| Family | Florence |
| Type | Shade |
| Color | black |
| Diameter | 285,9x23,51 mm |
| Height | 9,9 mm |
| Style | rectang |
| Optic Material | |
| Holder Material | |
| Fastening | |
| Status | production ready |
| ROHS Compliant | Yes |
| Date Updated | 5/12/2016 |



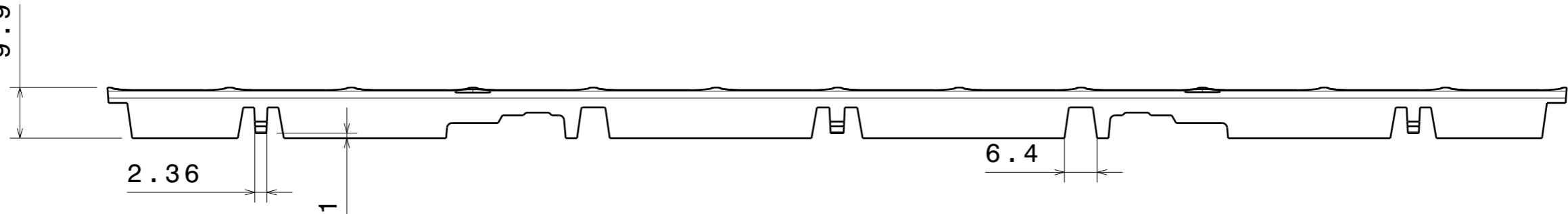
OPTICAL PROPERTIES

| LED | Viewing Angle | Light Beam | Efficiency | cd/lm | Connector |
|-----|---------------|------------|------------|------------|-----------|
| - | N/A deg | - | - | sim: 0.000 | - |

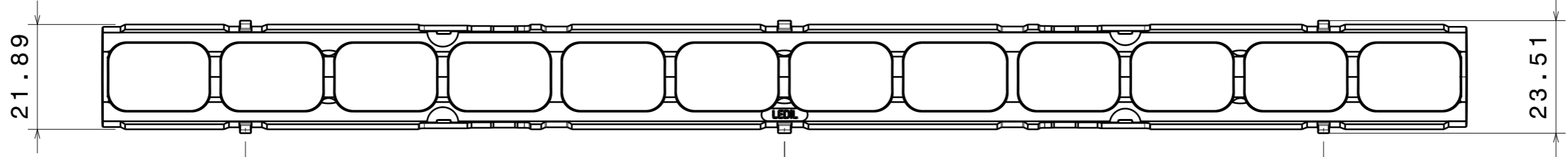
H G F E D C B A



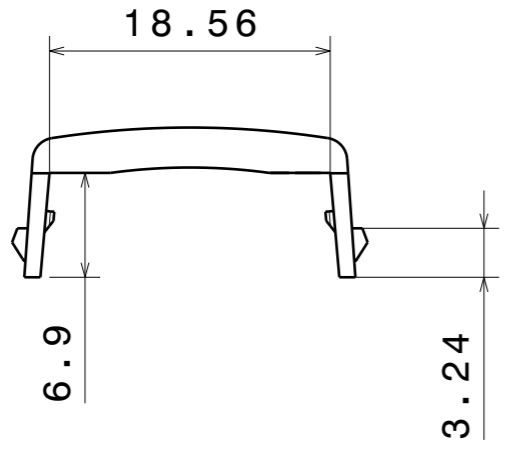
Top view



Side view



Bottom view



Front view

| INDEX | PART NO | DESCRIPTION | MATERIAL | COLOUR |
|-------|---------|---------------------|----------|--------|
| 1 | C14593 | FLORENCE-1R-SHD-BLK | ABS | black |

Tolerances if not otherwise shown
 According to DIN ISO 2768-1
 Linear measures:
 Up to 30mm class M, otherwise class C.
 According to DIN ISO 2768-2
 Form and position: class L

LEDiL LediL Oy
 Salorankatu 10
 FIN 24240 SALO
 Finland

THIRD ANGLE PROJECTION:

DRAWING TITLE
C14593_FLORENCE-1R-SHD

This drawing is the property of LEDiL Oy. It may not be reproduced, copied or communicated without a written agreement with LEDiL Oy.

| | |
|-----------|---------------|
| SIZE | PART NUMBER |
| A3 | C14593 |

| | | | | | |
|-------|-----|--------|--------|-------|-----|
| SCALE | 1:1 | WEIGHT | 8,97 g | SHEET | 1/1 |
|-------|-----|--------|--------|-------|-----|

H G B A

NOTE: The typical divergence will be changed by different color, chip size and chip position tolerance. The typical total divergence is the full angle measured where the luminous intensity is half of the peak value.