

5

4

3

2

1

D

C

B

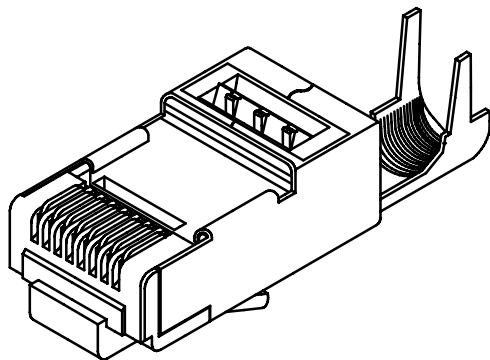
A

D

C

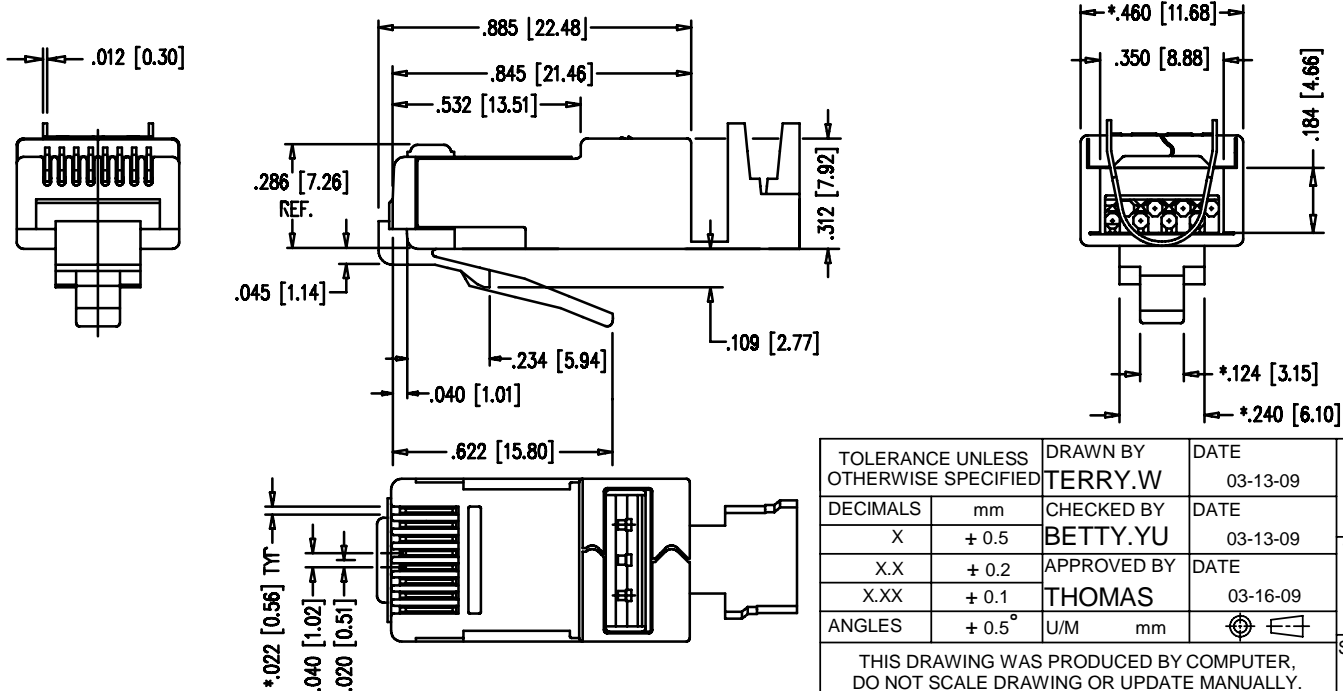
B

A



Description: Eight Conductor MOD Plug, Shield  
 Part No: 32-2298UL  
 Plug Tolerance and DIM: Complies with F.C.C requirements  
 Flame and Extinguish: 94-V0  
 Operation Temperature: -40°C to +85°C  
 Contact Resistance: 10 Millohms Max.  
 Current/Voltage: 30 VAC/42 VDC at 1.5 AMPS  
 Material: Shield .012THK CDA-260 1/4 HARD BRASS  
 100-150 MICRO-INCH TIN PLATED  
 Housing Polycarbonate  
 Contact Phosphor bronze-.012THK  
 Gold plated

RoHS Compliance: Yes  
 Technical Detail: Meets or exceeds Category 5e TIA/EIA 568-B.2



DRAWING NO.	
32-2298UL-CUST	
REVISIONS	
01	OFFICIAL RELEASE
	10-13-09 T W Y T
02	TYPO MISTAKE: BRESS SHOULD BE BRASS UPDATE SPECIFICATIONS
	08-14-12 Y G Y G M L ECO-12-0208

CUSTOMER COPY

TOLERANCE UNLESS OTHERWISE SPECIFIED		DRAWN BY	DATE
DECIMALS	mm	TERRY.W	03-13-09
X	+ 0.5	CHECKED BY	DATE
X.X	+ 0.2	BETTY.YU	03-13-09
X.XX	+ 0.1	APPROVED BY	DATE
ANGLES	+ 0.5°	THOMAS	03-16-09
		U/M	mm



TITLE  
 Eight Conductor MOD Plug, Shield

THIS DRAWING WAS PRODUCED BY COMPUTER,  
 DO NOT SCALE DRAWING OR UPDATE MANUALLY.

SHEET	DRAWING NO.	SIZE
1 OF 1	32-2298UL-CUST	A

5

4

3

2

1