

# SKY12324-73LF: 0.5-4.0 GHz Two-Bit Digital Attenuator (4 dB LSB)


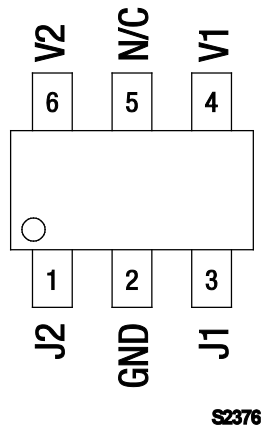
## Applications

- Cellular telephone base stations
- Test instrumentation
- Wireless data level control circuits

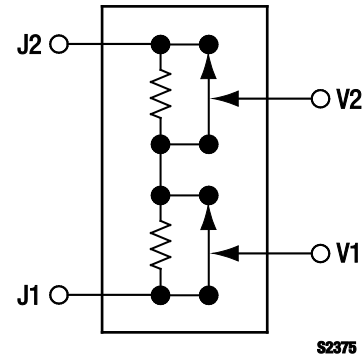
## Features

- Four dB LSB steps to 12 dB
- Single, positive control voltage per bit
- Low insertion loss
- Small SOT-6 package (MSL1, 260 °C per JEDEC J-STD-020)

**NEW** Skyworks offers lead (Pb)-free, RoHS (Restriction of Hazardous Substances)-compliant packaging.

**Figure 2. SKY12324-73LF Pinout – 6-Pin SOT-6 (Top View)**



**Figure 1. SKY12324-73LF Block Diagram**

## Description

The SKY12324-73LF is a two-bit GaAs pHEMT digital attenuator in a low-cost SOT-6 package. The two attenuation bits, 4 and 8 dB, can be independently switched into or out of the signal path according to the magnitudes of the control voltages applied to the two high impedance control voltage inputs. The RF ports are internally matched to 50  $\Omega$  and are fully bilateral.

The SKY12324-73LF is ideally suited for use in applications where excellent attenuation accuracy, low insertion loss, and excellent intermodulation distortion performance are required.

A functional block diagram is shown in Figure 1. The pin configuration and package are shown in Figure 2. Signal pin assignments and functional pin descriptions are provided in Table 1.

**Table 1. SKY12324-73LF Signal Descriptions**

Pin #	Name	Description	Pin #	Name	Description
1	J2	RF port. Must be DC blocked.	4	V1	DC control voltage. High input impedance control port for the 8 dB bit. The high control voltage applied to this pin must be within 0.2 V of the supply voltage applied to pin 3 or the part may be permanently damaged. The low control voltage is 0 V nominal.
2	GND	RF ground. Must be AC-coupled to ground.	5	N/C	No connect
3	J1	RF port. Must be DC blocked.	6	V2	DC control voltage. High input impedance control port for the 4 dB bit. The high control voltage applied to this pin must be within 0.2 V of the supply voltage applied to pin 3 or the part may be permanently damaged. The low control voltage is 0 V nominal.

**Table 2. SKY12324-73LF Absolute Maximum Ratings**

Parameter	Symbol	Minimum	Maximum	Units
RF input power ( $V_{CTL} = 0/8\text{ V}$ )	$P_{IN}$		+31	dBm
Supply voltage	$V_S$		8	V
Control voltage	$V_{CTL}$	-0.2	+8.0	V
Operating temperature	$T_{OP}$	-40	+85	°C
Storage temperature	$T_{STG}$	-65	+150	°C

**Note:** Exposure to maximum rating conditions for extended periods may reduce device reliability. There is no damage to device with only one parameter set at the limit and all other parameters set at or below their nominal value. Exceeding any of the limits listed here may result in permanent damage to the device.

**CAUTION:** Although this device is designed to be as robust as possible, Electrostatic Discharge (ESD) can damage this device. This device must be protected at all times from ESD. Static charges may easily produce potentials of several kilovolts on the human body or equipment, which can discharge without detection. Industry-standard ESD precautions should be used at all times.

**Electrical and Mechanical Specifications**

The absolute maximum ratings of the SKY12324-73LF are provided in Table 2. Electrical specifications are provided in Table 3.

Typical performance characteristics of the SKY12324-73LF are illustrated in Figures 3 through 8.

The state of the SKY12324-73LF is determined by the logic provided in Table 4.

**Table 3. SKY12324-73LF Electrical Specifications (Note 1)**

( $V_{CTL} = 0/3\text{ V}$ ,  $V_S = 3\text{ V}$ ,  $T_{OP} = +25\text{ °C}$ , Characteristic Impedance [ $Z_0$ ] =  $50\ \Omega$ , Unless Otherwise Noted)

Parameter	Symbol	Test Condition (Note 2)	Min	Typical	Max	Units
Insertion loss	IL	0.5 to 1.0 GHz		0.9	1.0	dB
		1.0 to 2.0 GHz		1.0	1.2	dB
		2.0 to 2.5 GHz		1.2	1.3	dB
		2.5 to 3.0 GHz		1.3	1.4	dB
		3.0 to 4.0 GHz		2.0	2.1	dB
Attenuation range			12		dB	
Attenuation accuracy (Note 3)		0.5 to 1.0 GHz	± (0.2 + 3% of attenuation setting)			dB
		1.0 to 3.0 GHz	± (0.3 + 5% of attenuation setting)			dB
		3.0 to 4.0 GHz	± (0.4 + 5% of attenuation setting)			dB
Return loss (insertion loss state)	RL	0.5 to 3.0 GHz	15	20		dB
		3.0 to 4.0 GHz	12	15		dB
Return loss (attenuation state)	RL	0.5 to 3.0 GHz	12	18		dB
		3.0 to 4.0 GHz	12	15		dB
Switching characteristics: Rise/fall On/off Video feedthrough		10/90% or 90/10% RF		40		ns
		50% $V_{CTL}$ to 90/10% RF		100		ns
		$T_{RISE} = 1\text{ ns}$ , bandwidth = 500 MHz		50		mV
1 dB Input Compression Point	IP1dB	900 MHz, $V_S = 3\text{ V}$		+30		dBm
3 <sup>rd</sup> Order Input Intercept Point	IIP3	For two-tone input, $P_{IN} = +15\text{ dBm/ tone}$ :  1.0 GHz 3.0 GHz		+46		dBm
				+44		dBm
Supply voltage	$V_S$		3		5	V
Control voltage	$V_{CTL}$	$V_{CTL} = V_{LOW}$	0		0.2	V
		$V_{CTL} = V_{HIGH}$	$V_S - 0.2$		$V_S + 0.2$	V
Control current	$I_{CTL}$	$V_{CTL} = V_{LOW}$		10	20	μA
		$V_{CTL} = V_{HIGH} = 3\text{ V}$		50	100	μA
		$V_{CTL} = V_{HIGH} = 5\text{ V}$		100	200	μA

**Note 1:** Performance is guaranteed only under the conditions listed in this Table.

**Table 4. SKY12324-73LF Truth Table**

Attenuation, J1 to J2	V1 (Pin 4, 4 dB)	V2 (Pin 6, 8 dB)
Insertion loss	$V_{HIGH}$	$V_{HIGH}$
4 dB	$V_{HIGH}$	$V_{LOW}$
8 dB	$V_{LOW}$	$V_{HIGH}$
12 dB	$V_{LOW}$	$V_{LOW}$

**Note:**  $V_{HIGH} = +3\text{ V to }+5\text{ V}$ ;  $V_{LOW} = V_S \pm 0.2\text{ V}$   
All other conditions not recommended.

### Typical Performance Characteristics

( $V_{CTL} = 0/3\text{ V}$ ,  $V_S = 3\text{ V}$ ,  $T_{OP} = +25\text{ }^\circ\text{C}$ , Characteristic Impedance [ $Z_0$ ] =  $50\text{ }\Omega$ , Unless Otherwise Noted)

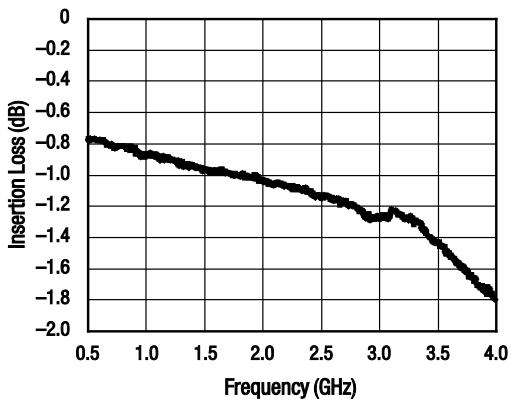


Figure 3. Insertion Loss vs Frequency

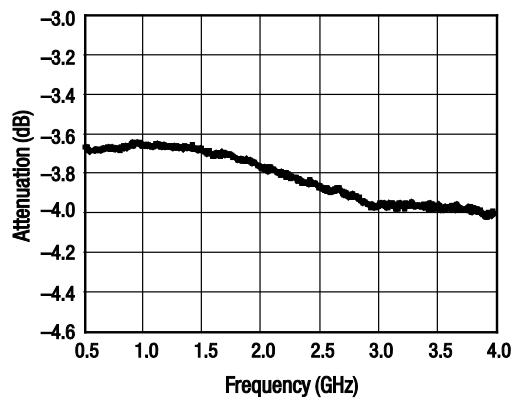


Figure 4. 4 dB Attenuation vs Frequency

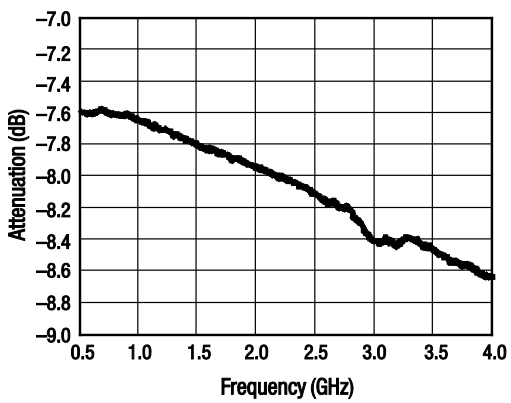


Figure 5. 8 dB Attenuation vs Frequency

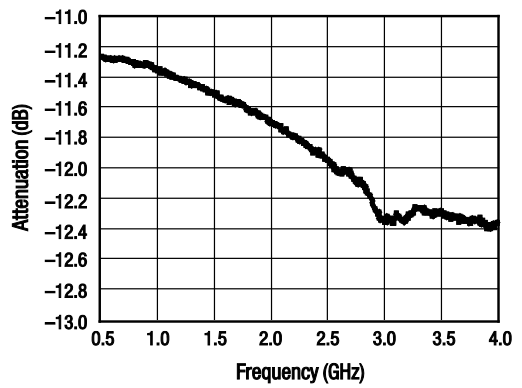


Figure 6. 12 dB Attenuation vs Frequency

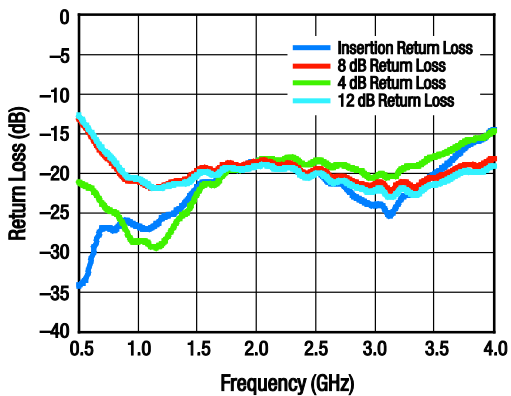


Figure 7. Return Loss vs Frequency

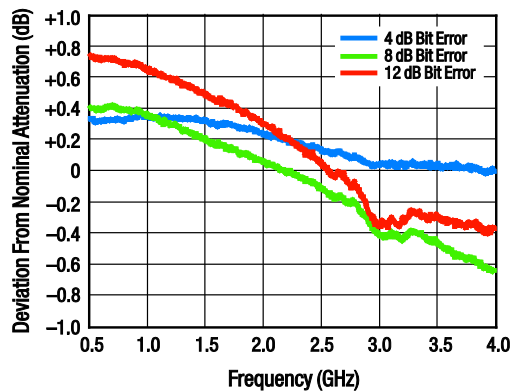


Figure 8. Attenuation Accuracy vs Frequency

### Evaluation Board Description

The SKY12324-73LF Evaluation Board is used to test the performance of the SKY12324-73LF digital attenuator. An assembly drawing for the Evaluation Board is shown in Figure 9. A schematic diagram is shown in Figure 10.

### Package Dimensions

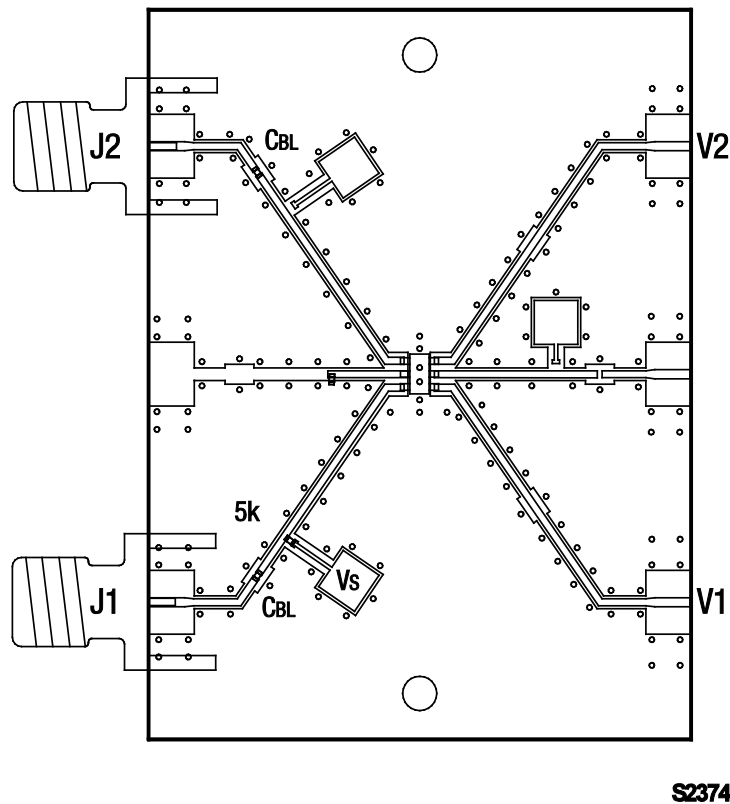
The PCB layout footprint for the SKY12324-73LF is provided in Figure 11. Figure 12 shows the package dimensions for the 6-pin SOT-6, and tape and reel dimensions are provided in Figure 13.

### Package and Handling Information

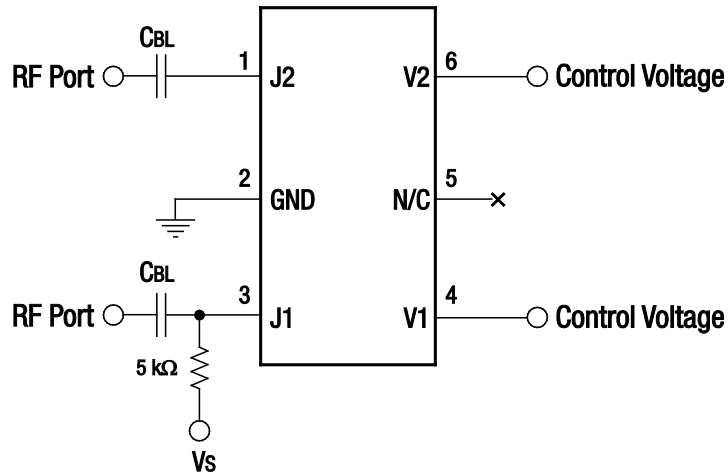
Instructions on the shipping container label regarding exposure to moisture after the container seal is broken must be followed. Otherwise, problems related to moisture absorption may occur when the part is subjected to high temperature during solder assembly.

THE SKY12324-73LF is rated to Moisture Sensitivity Level 1 (MSL1) at 260 °C. It can be used for lead or lead-free soldering. For additional information, refer to the Skyworks Application Note, *Solder Reflow Information*, document number 200164.

Care must be taken when attaching this product, whether it is done manually or in a production solder reflow environment. Production quantities of this product are shipped in a standard tape and reel format.

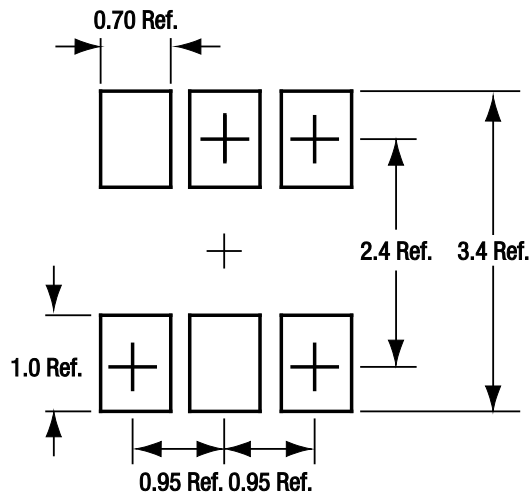


**Figure 9. SKY12324-73LF Evaluation Board Assembly Diagram**



Note:  $C_{BL} = 47 \text{ pF}$  for frequencies  $>500 \text{ MHz}$  operation. S2377

Figure 10. SKY12324-73LF Evaluation Board Schematic Diagram



All measurements in millimeters S2378

Figure 11. PCB Layout Footprint for the SKY12324-73LF

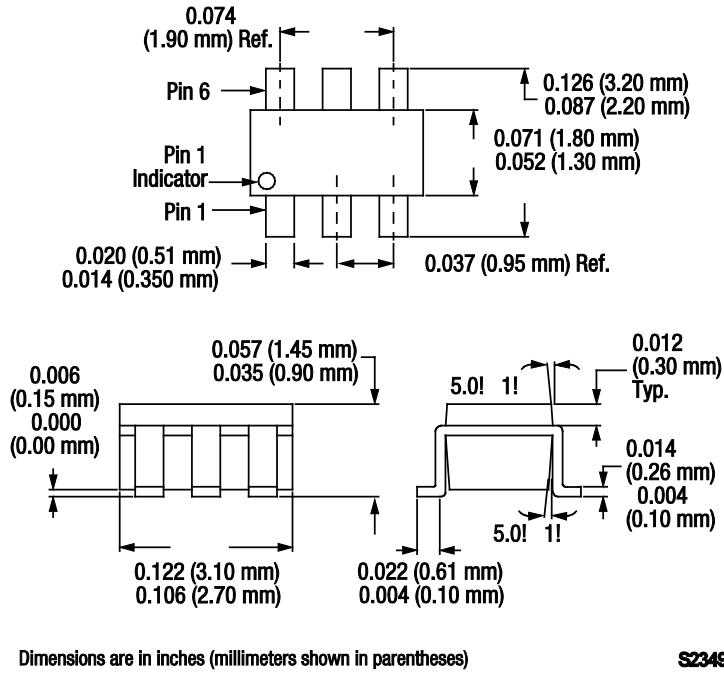
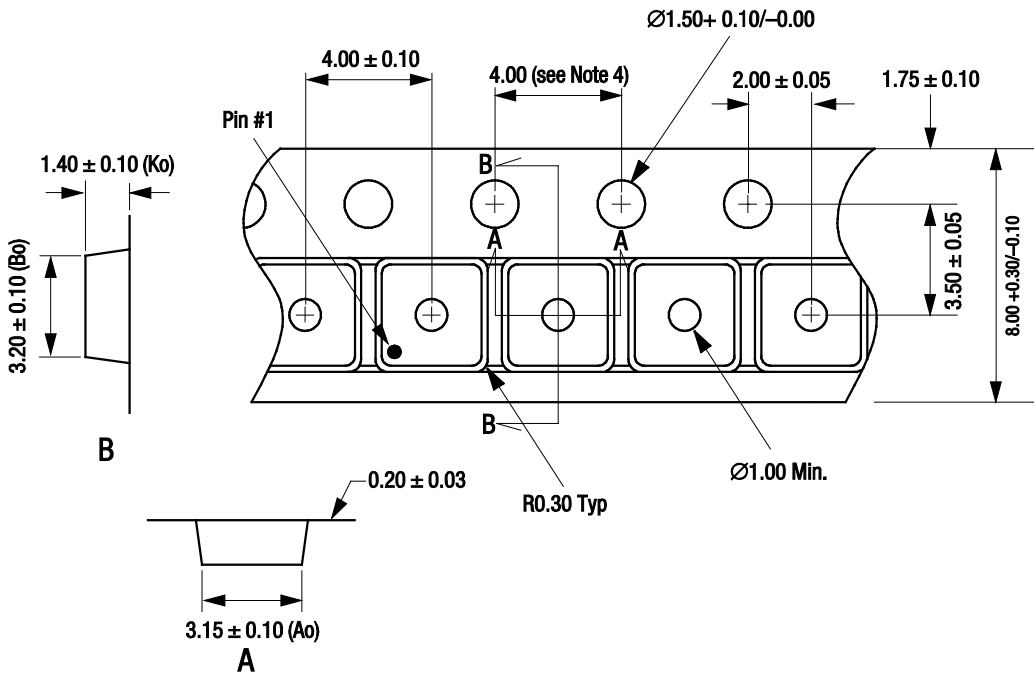


Figure 12. SKY12324-73LF 6-Pin SOT-6 Package Dimensions



- Notes:
1. Carrier tape: black conductive polystyrene.
  2. Cover tape material: transparent conductive HSA.
  3. Cover tape size: 5.40 mm width.
  4. Ten sprocket hole pitch cumulative tolerance = ±0.20 mm.
  5. All measurements are in millimeters.
  6. Standard reel size is 7 inches. Standard reel quantity is 3000 pcs.

S1681

Figure 13. SKY12324-73LF Tape and Reel Dimensions

## Ordering Information

Model Name	Manufacturing Part Number	Evaluation Board Part Numbers
SKY12324-73LF Two-Bit Digital Attenuator	SKY12324-73LF	SKY12324-73LF-EVB

Copyright © 2002-2008, 2011 Skyworks Solutions, Inc. All Rights Reserved.

Information in this document is provided in connection with Skyworks Solutions, Inc. ("Skyworks") products or services. These materials, including the information contained herein, are provided by Skyworks as a service to its customers and may be used for informational purposes only by the customer. Skyworks assumes no responsibility for errors or omissions in these materials or the information contained herein. Skyworks may change its documentation, products, services, specifications or product descriptions at any time, without notice. Skyworks makes no commitment to update the materials or information and shall have no responsibility whatsoever for conflicts, incompatibilities, or other difficulties arising from any future changes.

No license, whether express, implied, by estoppel or otherwise, is granted to any intellectual property rights by this document. Skyworks assumes no liability for any materials, products or information provided hereunder, including the sale, distribution, reproduction or use of Skyworks products, information or materials, except as may be provided in Skyworks Terms and Conditions of Sale.

THE MATERIALS, PRODUCTS AND INFORMATION ARE PROVIDED "AS IS" WITHOUT WARRANTY OF ANY KIND, WHETHER EXPRESS, IMPLIED, STATUTORY, OR OTHERWISE, INCLUDING FITNESS FOR A PARTICULAR PURPOSE OR USE, MERCHANTABILITY, PERFORMANCE, QUALITY OR NON-INFRINGEMENT OF ANY INTELLECTUAL PROPERTY RIGHT; ALL SUCH WARRANTIES ARE HEREBY EXPRESSLY DISCLAIMED. SKYWORKS DOES NOT WARRANT THE ACCURACY OR COMPLETENESS OF THE INFORMATION, TEXT, GRAPHICS OR OTHER ITEMS CONTAINED WITHIN THESE MATERIALS. SKYWORKS SHALL NOT BE LIABLE FOR ANY DAMAGES, INCLUDING BUT NOT LIMITED TO ANY SPECIAL, INDIRECT, INCIDENTAL, STATUTORY, OR CONSEQUENTIAL DAMAGES, INCLUDING WITHOUT LIMITATION, LOST REVENUES OR LOST PROFITS THAT MAY RESULT FROM THE USE OF THE MATERIALS OR INFORMATION, WHETHER OR NOT THE RECIPIENT OF MATERIALS HAS BEEN ADVISED OF THE POSSIBILITY OF SUCH DAMAGE.

Skyworks products are not intended for use in medical, lifesaving or life-sustaining applications, or other equipment in which the failure of the Skyworks products could lead to personal injury, death, physical or environmental damage. Skyworks customers using or selling Skyworks products for use in such applications do so at their own risk and agree to fully indemnify Skyworks for any damages resulting from such improper use or sale.

Customers are responsible for their products and applications using Skyworks products, which may deviate from published specifications as a result of design defects, errors, or operation of products outside of published parameters or design specifications. Customers should include design and operating safeguards to minimize these and other risks. Skyworks assumes no liability for applications assistance, customer product design, or damage to any equipment resulting from the use of Skyworks products outside of stated published specifications or parameters.

Skyworks, the Skyworks symbol, and "Breakthrough Simplicity" are trademarks or registered trademarks of Skyworks Solutions, Inc., in the United States and other countries. Third-party brands and names are for identification purposes only, and are the property of their respective owners. Additional information, including relevant terms and conditions, posted at [www.skyworksinc.com](http://www.skyworksinc.com), are incorporated by reference.