

PART NAME: KNOB SCALE: 1:1 DATE: 8/19/93 DR. BY HD

DAVIES MOLDING COMPANY
CAROL STREAM, ILLINOIS 60188

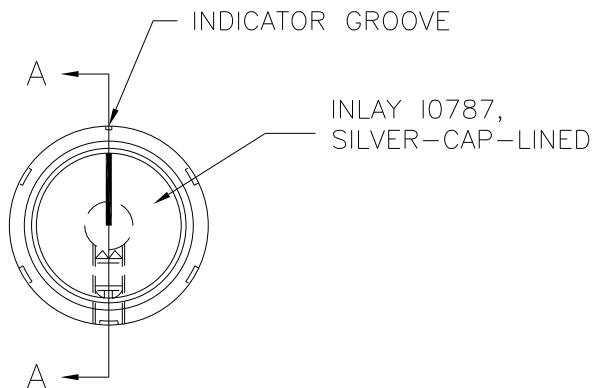
P/N 1204AZ

THIS DRAWING IS THE PROPERTY OF DAVIES MOLDING COMPANY, IS SUBMITTED SOLELY AS A DESIGN OR ENGINEERING PROJECT. WE ACCEPT NO RESPONSIBILITY WHATSOEVER FOR THE PRACTICAL APPLICATION OF THE PIECES MADE TO THIS DESIGN.

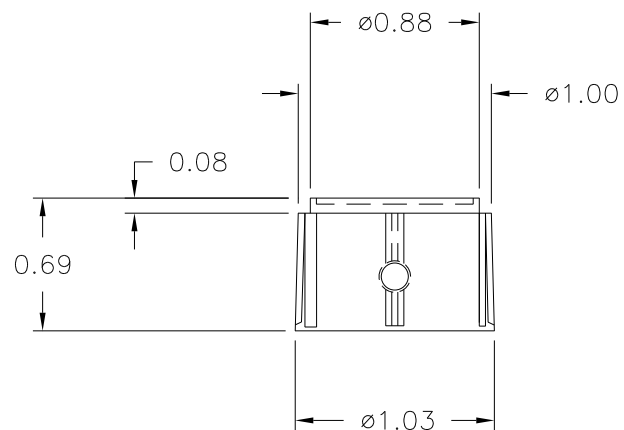
BASE PART 1204-03

SET SCREW I0357

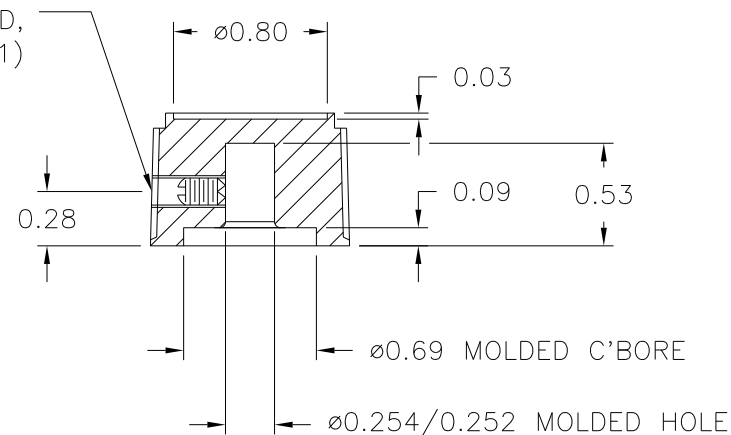
INLAY I0787



SECTION A-A



USE #28 DRILL (0.140), #8-32 TAP,
#8-32 X 1/4 LG. CUP POINTED,
SLOTTED TYPE, SET SCREW I0357 (1)



NOTES:

MOLDED HOLE OF KNOB MUST BE (0.254/0.252 DIA.)
AND MUST BE CHECKED WITH ABOVE SIZE
PIN GAUGE FOR PROPER MOLDED HOLE CONDITIONS

Ⓐ

MATERIAL: 04311 PHENOLIC (B41)
COLOR: BLACK

TOLERANCES: UNLESS OTHERWISE SPECIFIED	DO NOT SCALE DRAWING			
DECIMALS: X.XXX ± .005 X.XX ± .015	MM: X.XX ± 0.15MM X.X ± 0.4MM	A	WAS 02511 PHENOLIC (B11)	JAM 6/19/08
		-	UPDATED/HAD TOOLBOX	ST 5/25/2000
FRACTIONS ± 1/64	ANG. ± 1°	CHANGES		