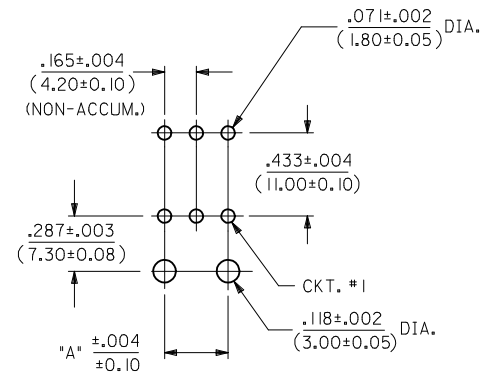
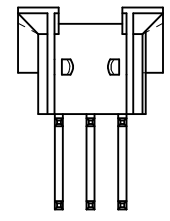
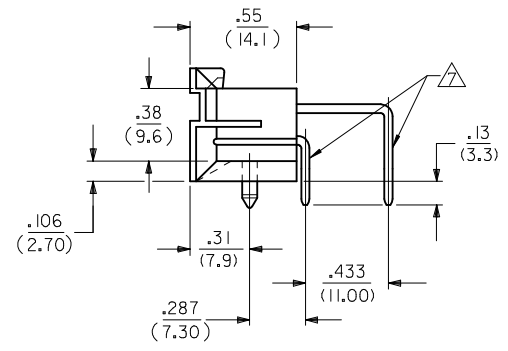
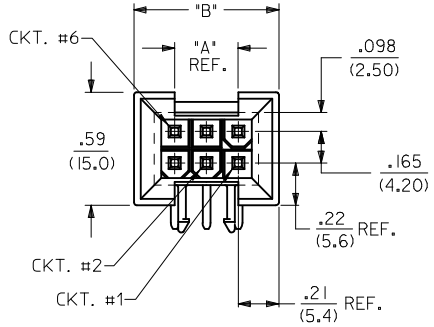


CIRCUIT SIZE	DIM. "A"	DIM. "B"
6	.331 (8.40)	.76 (19.2)

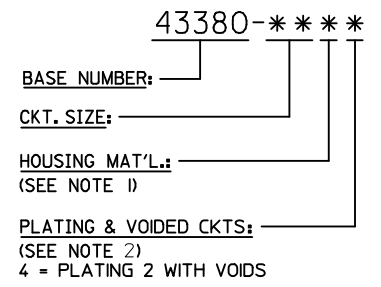


RECOMMENDED HOLE LAYOUT FOR
.070/(1.78) MAX. THICK P.C. BOARD

NOTES:

- HOUSING MATERIAL: "1" = NYLON UL 94V-2
COLOR: NATURAL
"4" = NYLON UL 94V-0
COLOR: BLACK
TERMINAL MATERIAL: BRASS ALLOY
- TERMINAL PLATING:
1 = .000100/(.00254) MIN. MATTE TIN OVER
.000050/(.00127) MIN. NICKEL.
2 = .000030/(0.00076) MIN. SELECT GOLD AND
.000100/(0.00254) MIN. SELECT MATTE TIN
OVER .000050/(0.00127) MIN. NICKEL OVERALL
- PRODUCT SPECIFICATION: PS-5556-002
- PACKAGING SPECIFICATION: BULK
- THIS PART MATES WITH MINI-FIT JR. RECEPTACLES #5557, #42385 AND #42474 AND MINI-TWIST RECEPTACLE #43348.
- CONNECTOR ASSEMBLIES ARE NOT TO BE MATED OR UNMATED WHILE CIRCUITS ARE LIVE.
- FORMING MARKS ARE ACCEPTABLE
- DISCOLORATION IN THE BANDOLIER CARRIER AREA OF THE PIN IS INHERENT TO THE PLATING PROCESS AND IS DUE TO THE MASKING EFFECT OF THE CARRIER. THIS DISCOLORATION IS IN A NON-FUNCTIONAL AREA OF THE PIN AND WILL NOT AFFECT THE PERFORMANCE OF THE HEADER ASSEMBLY.
- PART CONFORMS TO CLASS "B" REQUIREMENTS OF COSMETIC SPECIFICATION PS-45499-002.
- PARTS ARE NOT DESIGNED FOR CURRENT SHARING.
- CONNECTORS ARE NOT TO BE MATED AND UNMATED WHILE CIRCUITS ARE LIVE.

LEGEND:



43380-0644	94V-0.BLACK	SELECT GOLD	3 AND 4
43380-0642	94V-0.BLACK	SELECT GOLD	NONE
43380-0612	94V-2	SELECT GOLD	NONE
ITEM NUMBER	HSG. MAT'L.	PLATING	VOIDED CIRCUITS

ADD 43380-0644 EC NO: UCP2014-0352 DRW: NNGUYEN 2013/07/24 CHKD: J.BELL 2013/07/24 APPR: FSMITH 2014/05/12 REV: D2	QUALITY SYMBOLS	GENERAL TOLERANCES (UNLESS SPECIFIED)	DIMENSION STYLE IN/MM	SCALE 2:1	DESIGN UNITS METRIC	THIRD ANGLE PROJECTION
	▽=0	4 PLACES ± --- ± ---	DRAWN BY DATE NNGUYEN 2012/01/20	TITLE	MINIFIT B.M.I. RIGHT ANGLE HEADER ASSY.	
	▽=0	3 PLACES ± --- ± .010	CHECKED BY DATE RJJ	APPROVED BY DATE FSMITH 2012/02/02		
	▽=0	2 PLACES ± .25 ± .015	MATERIAL NO. SEE CHART		DOCUMENT NO. SDA-43380-****	SHEET NO. 1 OF 1
	▽=0	1 PLACE ± .38 ± ---	DRAFT WHERE APPLICABLE MUST REMAIN WITHIN DIMENSIONS		THIS DRAWING CONTAINS INFORMATION THAT IS PROPRIETARY TO MOLEX INCORPORATED AND SHOULD NOT BE USED WITHOUT WRITTEN PERMISSION	