

## DETAILS

<b>Product Number</b>	CA13272_LAURA-O-WAS
<b>Family</b>	Laura
<b>Type</b>	Assembly
<b>Color</b>	white
<b>Diameter</b>	21,6 x 21,6 mm
<b>Height</b>	12,9 mm
<b>Style</b>	square
<b>Optic Material</b>	PMMA
<b>Holder Material</b>	
<b>Fastening</b>	tape
<b>Status</b>	production ready
<b>ROHS Compliant</b>	Yes
<b>Date Updated</b>	25/02/2013

## OPTICAL PROPERTIES

LED	Viewing Angle	Light Beam	Efficiency	cd/lm	Connector
LUXEON Rebel	Asymmetric degOval		sim: 87 %	3.100	-
LUXEON A	Asymmetric degOval		88 %	2.900	-



D

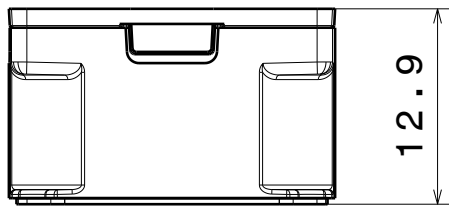
C

B

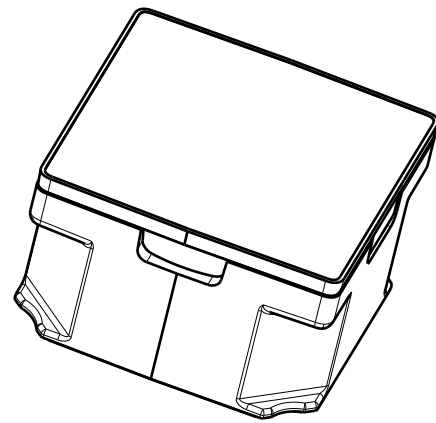
A

4

4



Front View

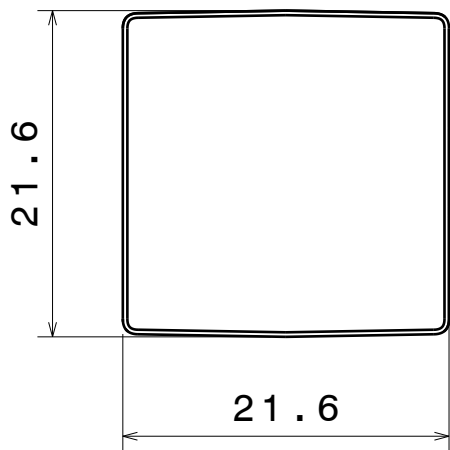


Isometric view

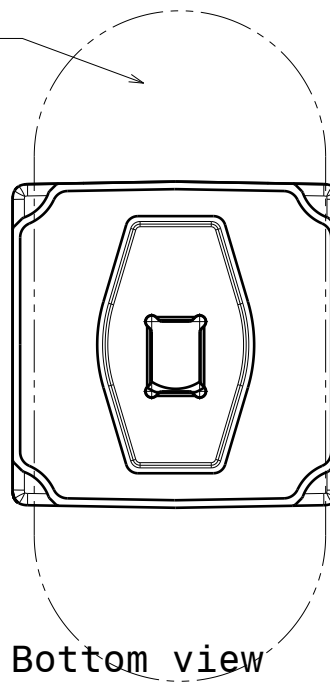
Oval Beam Direction

3

3



Top view



Bottom view

2

2

This drawing is our property.  
It can't be reproduced  
or communicated without  
our written agreement.



Ledil Oy  
Salorankatu 10  
FIN 24240 SALO  
Finland

DRAWING TITLE Mechanical Drawing

DRAWN BY  
ks

DATE  
08.11.2012

LAURA-RE

CHECKED BY  
as

DATE  
-

SIZE  
A4

PART NUMBER

REV  
001

DESIGNED BY  
-

DATE  
-

SCALE

2:1

WEIGHT

SHEET

1/1

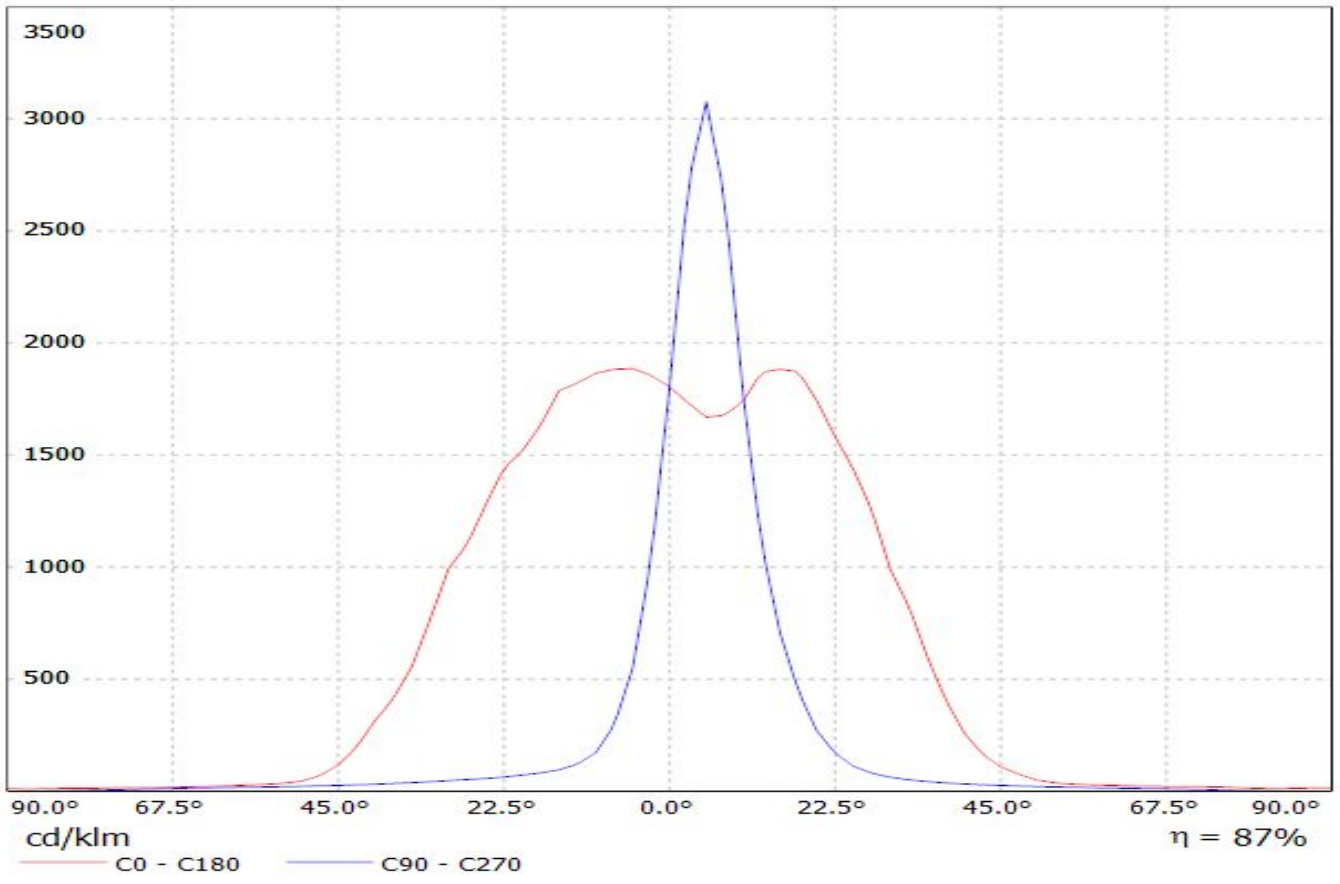
1

1

D

A

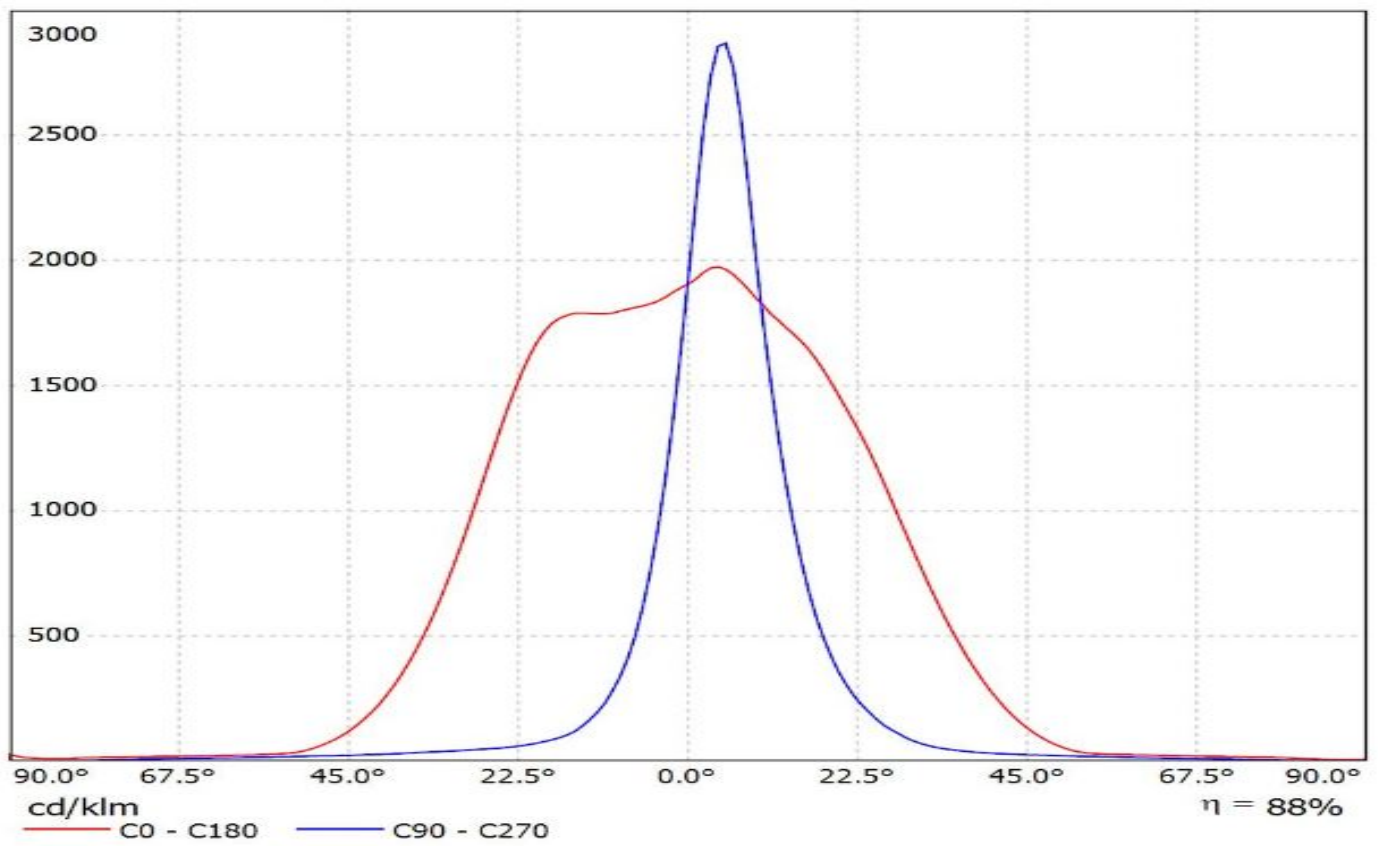
Luminaire: Ledil Oy CA13272\_LAURA-O-WAS\_(Rebel) Efficiency=87%  
Lamps: 1 x Luxeon Rebel 80lm @ 250mA



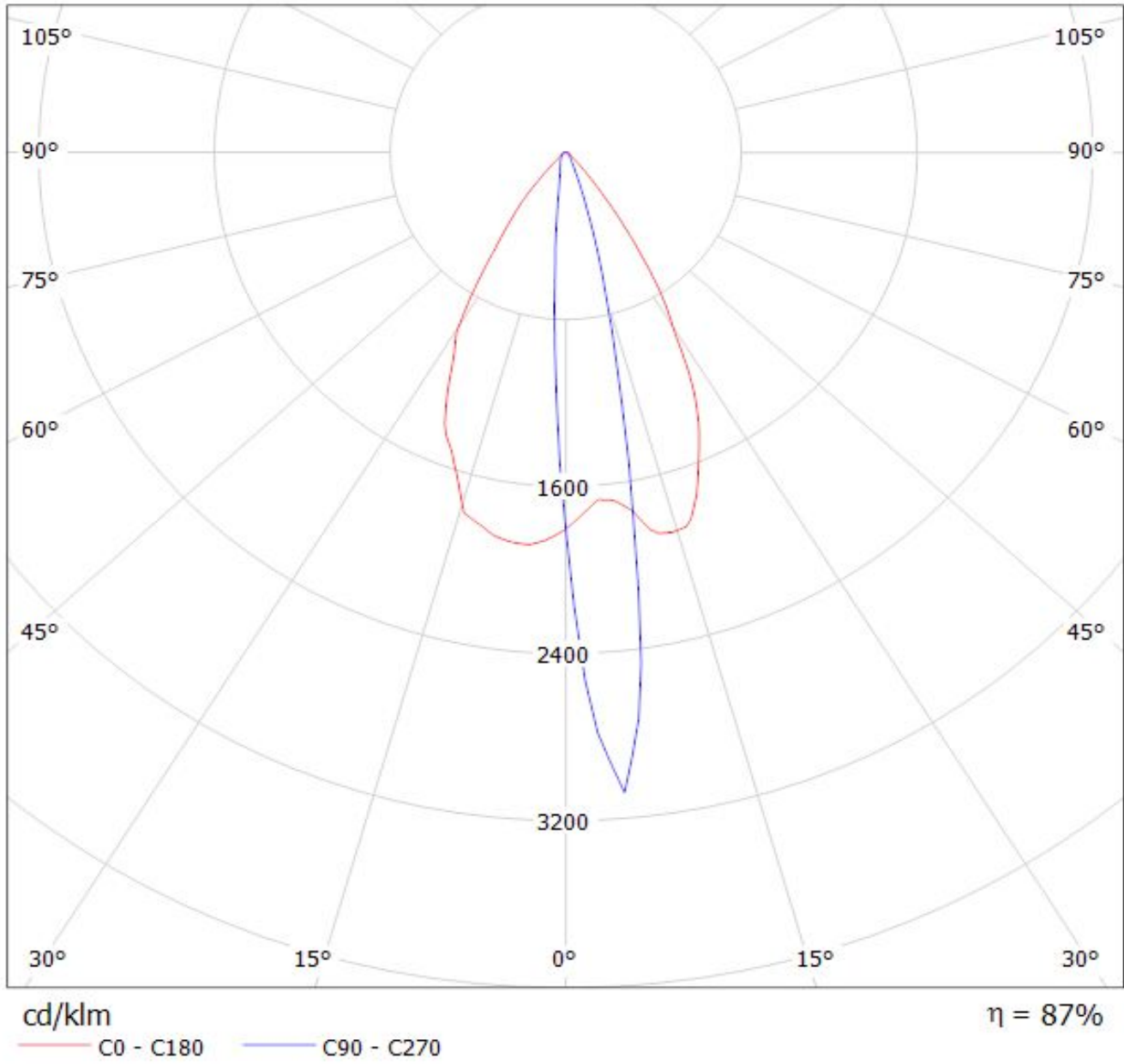
# Ledil CA13272\_LAURA-O-WAS\_(LUXEON\_A) / LDC (Linear)

Luminaire: Ledil CA13272\_LAURA-O-WAS\_(LUXEON\_A)

Lamps: 1 x LUXEON\_A\_(LXH8-PW30)\_64.976lm@250mA\_P=0.7207W\_I=0.25A



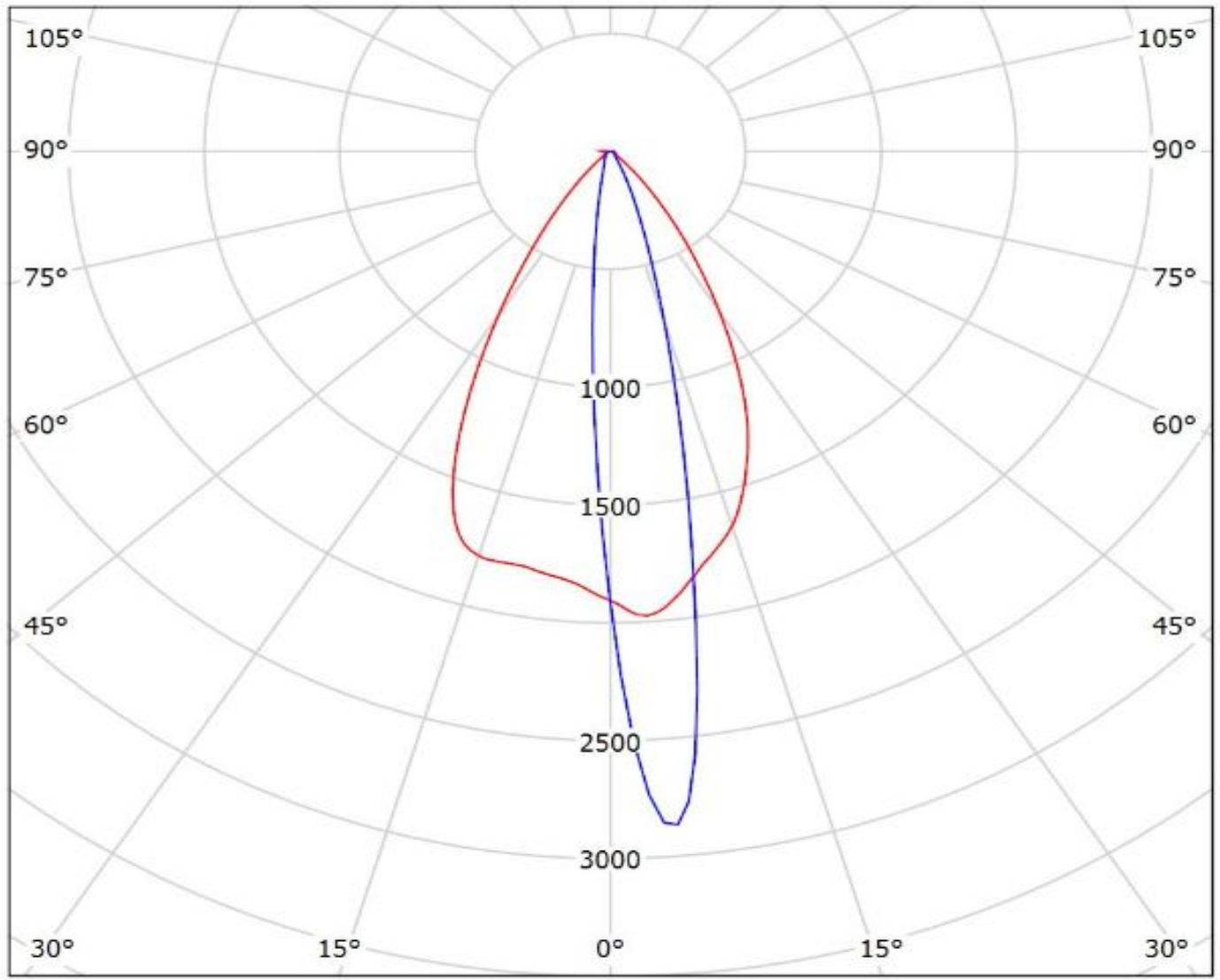
Luminaire: Ledil Oy CA13272\_LAURA-O-WAS\_(Rebel) Efficiency=87%  
Lamps: 1 x Luxeon Rebel 80lm @ 250mA



# Ledil CA13272\_LAURA-O-WAS\_(LUXEON\_A) / LDC (Polar)

Luminaire: Ledil CA13272\_LAURA-O-WAS\_(LUXEON\_A)

Lamps: 1 x LUXEON\_A\_(LXH8-PW30)\_64.976lm@250mA\_P=0.7207W\_I=0.25A



cd/klm

— C0 - C180 — C90 - C270

$\eta = 88\%$

**NOTE: The typical divergence will be changed by different color, chip size and chip position tolerance. The typical total divergence is the full angle measured where the luminous intensity is half of the peak value.**