

DETAILS

Product Number	C13117_LENA-SS
Family	Lena
Type	Reflector
Color	metal
Diameter	111 mm
Height	80 mm
Style	round
Optic Material	PC
Holder Material	
Fastening	socket
Status	production ready
ROHS Compliant	Yes
Date Updated	30/01/2017

OPTICAL PROPERTIES

LED	Viewing Angle	Light Beam	Efficiency	cd/lm	Connector
V13 Gen7	sim: 14	Smooth spo...sim: 88 %	sim: 8.330	IDEAL: 50-2103CT + 50-2100LN	
CLL04x/CLU04x	20 deg	Smooth spo...80 %	3.800	IDEAL: 50-2204CT + 50-2100LN	
CLL03x/CLU03x	13 deg	Smooth spo...85 %	8.200	A.A.G. STUCCHI: 8101/G2 + S-8000/11	
CLL04x/CLU04x	20 deg	Smooth spo...79 %	4.200	A.A.G. STUCCHI: 8102/G2 + S-8000/12	
Soleriq P13	13 deg	Smooth spo...81 %	7.530	IDEAL: 50-2101CR + 50-2100LN	



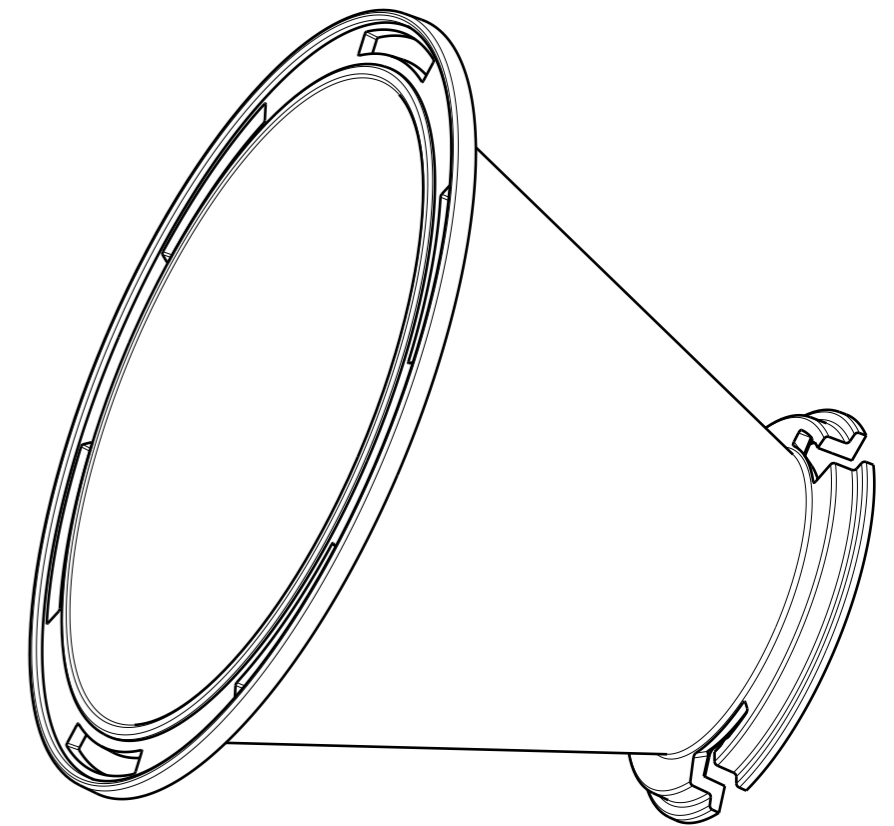
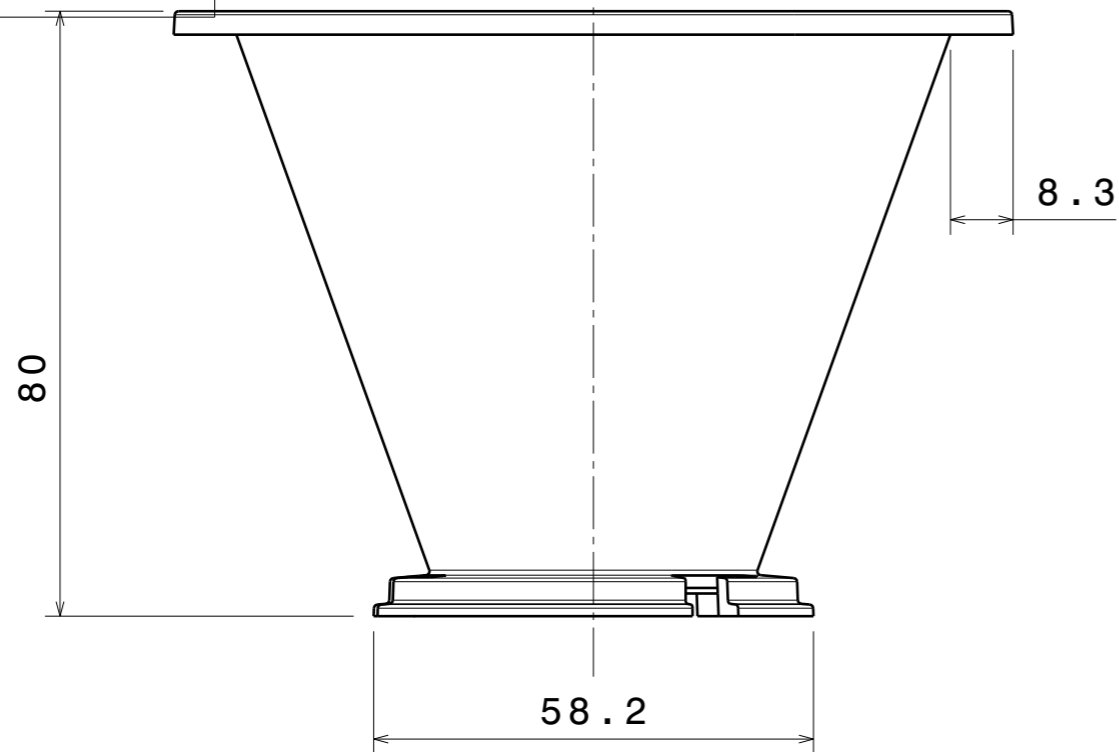
This drawing applies to:

C11979_LENA-S

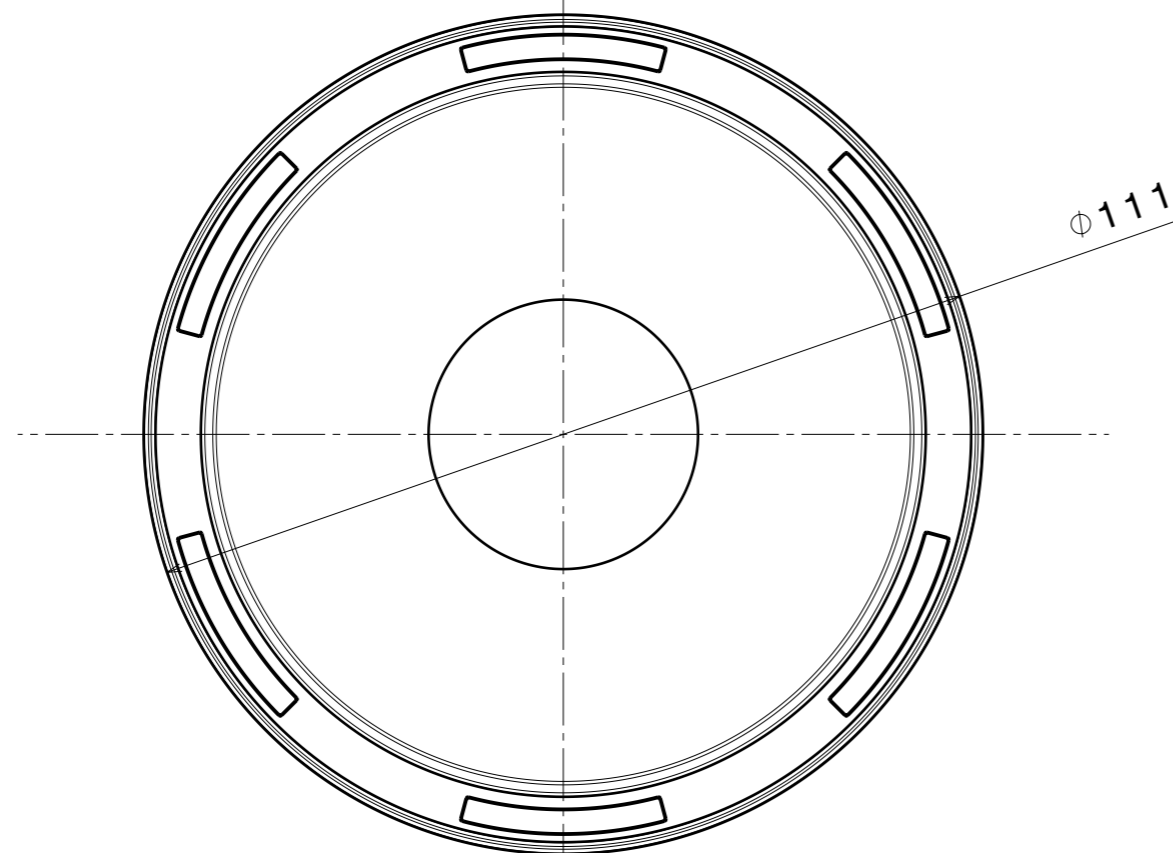
C12154_LENA-M

C11980_LENA-W

C13117_LENA-SS



Isometric view



INDEX	DESCRIPTION	MATERIAL
1	Lena-Reflector	PC

Tolerances if not otherwise shown
 According to DIN ISO 2768-1
 Linear measures:
 Up to 30mm class M, otherwise class C.
 According to DIN ISO 2768-2
 Form and position: class L



Ledil Oy
 Salorankatu 10
 FIN 24240 SALO
 Finland

THIRD ANGLE PROJECTION:

DRAWING TITLE
LENA reflector family

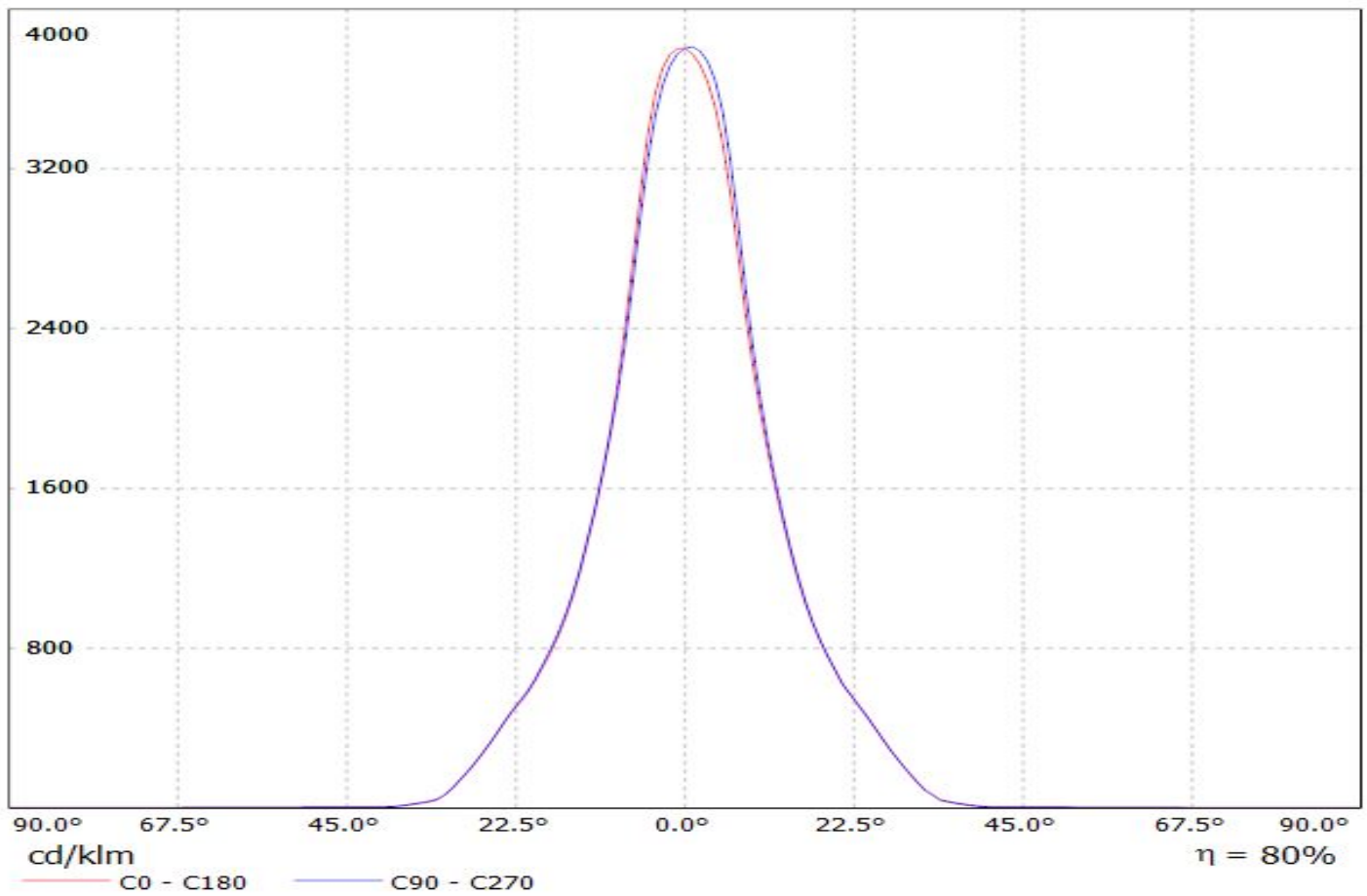
This drawing is the property of LEDiL Oy. It may not be reproduced, copied or communicated without a written agreement with LEDiL Oy."

SIZE	PART NUMBER		
A3	-		

SCALE	1:1	WEIGHT	(g)	SHEET	1/1
-------	-----	--------	-----	-------	-----

Luminaire: LEDiL Oy C13117_LENA-SS_(CLL040)

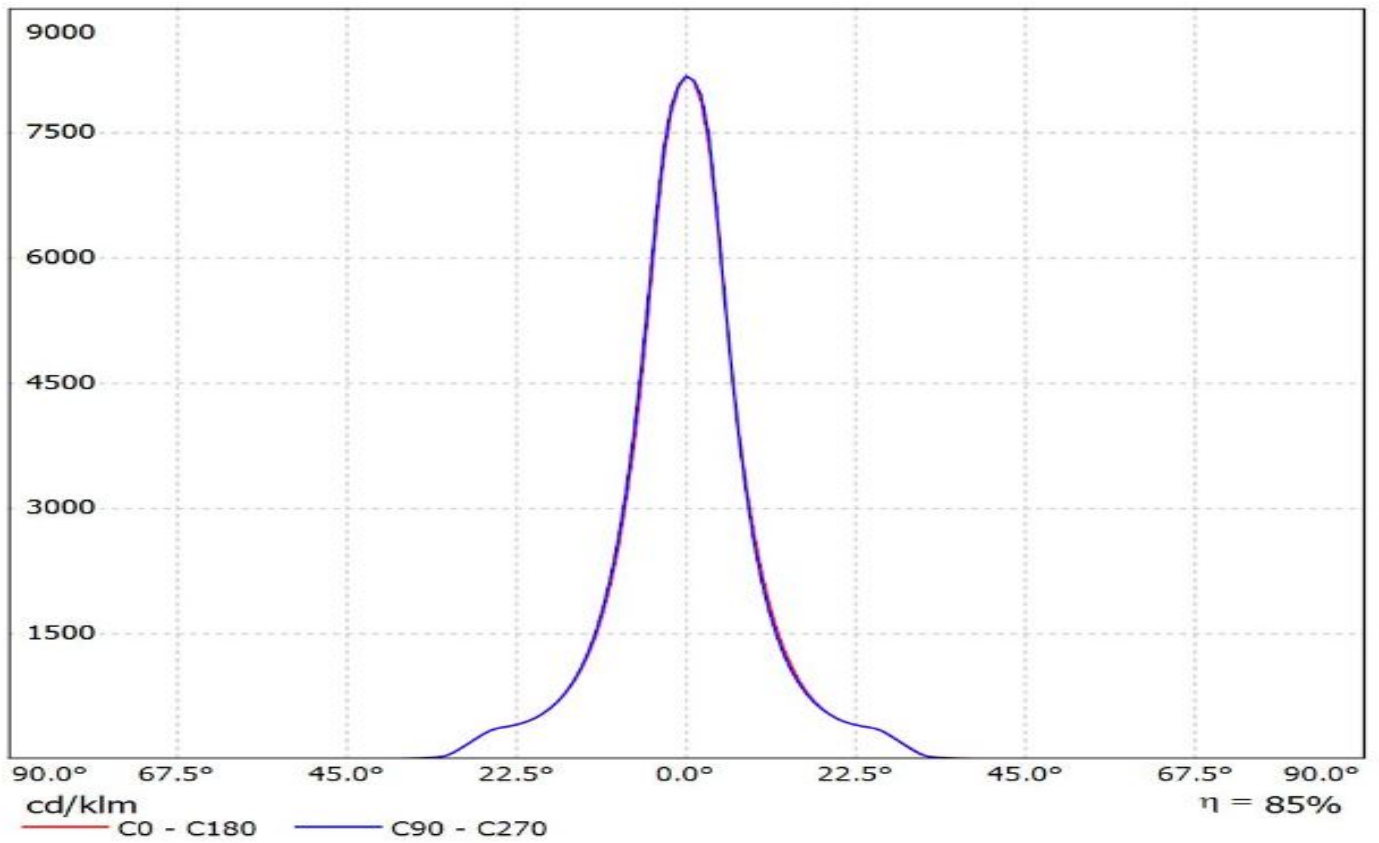
Lamps: 1 x Citizen_CLL040_(CLL040-1218A-50KL1A1)_1156.98lm@250mA_P=8.26164W_I=249.8mA



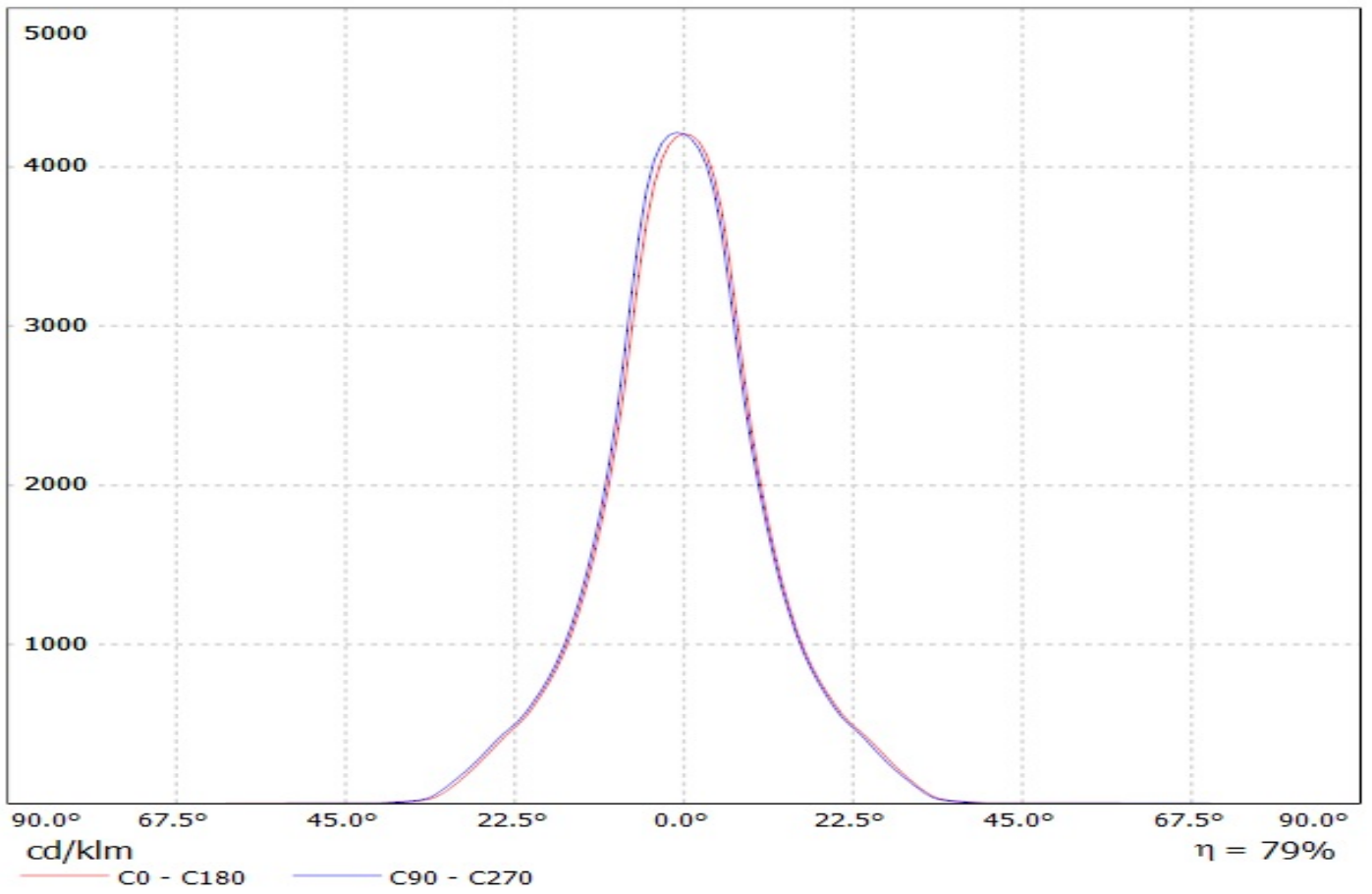
Ledil C13117_LENA-SS_(CLU034+_8101-G2+_S-8000-11)/LDC (Linear)

Luminaire: Ledil C13117_LENA-SS_(CLU034+_8101-G2+_S-8000-11)

Lamps: 1 x Citizen_CLU034_(1205B8-303M1A2)_1178.79lm@250mA_P=8.5W_I=0.25A

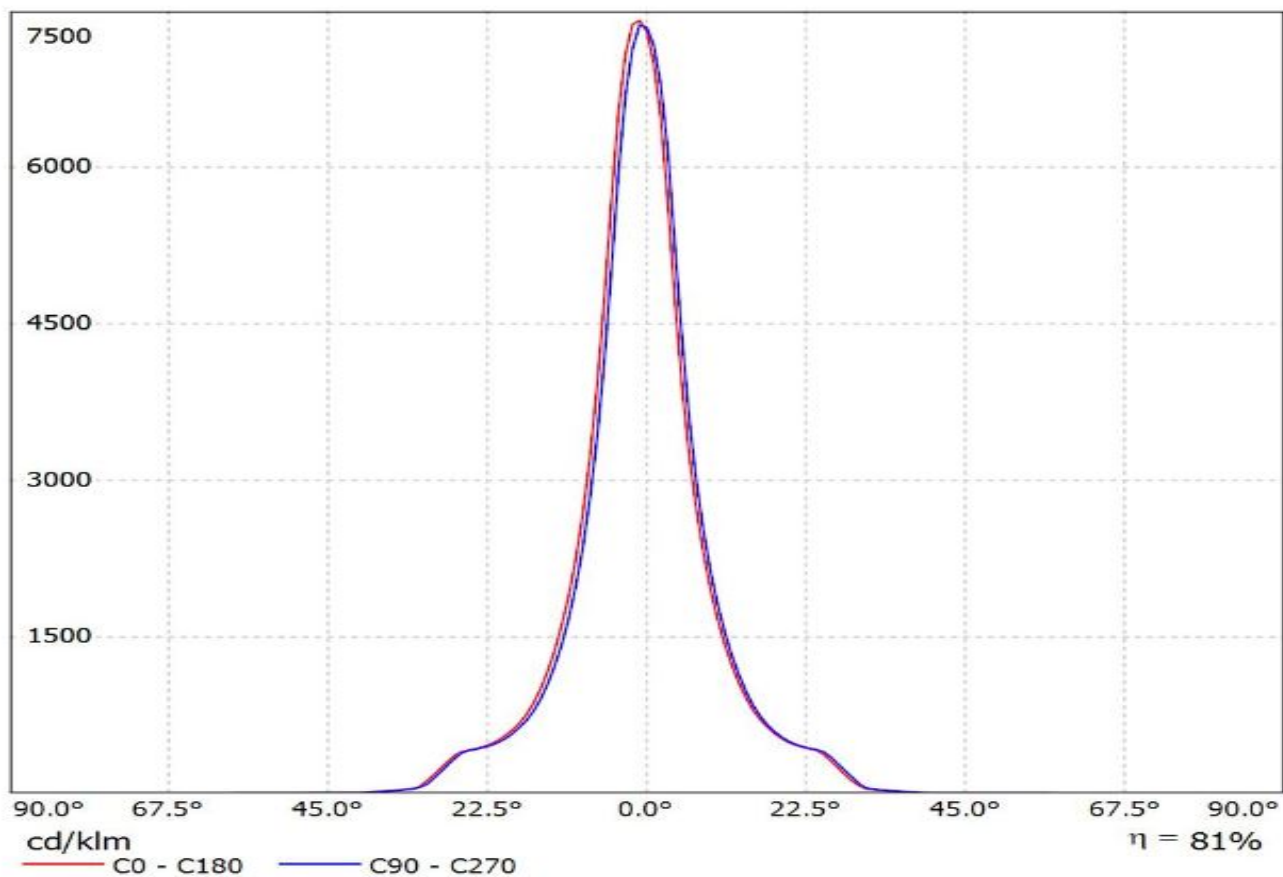


Luminaire: LEDiL Oy C13117_LENA-SS_(CLU044_+_8102-G2_+_S-8000-12)
Lamps: 1 x Citizen_CLU044_(1212B8-303M1A2)_546.982lm@100mA_P=3.2W_I=0.1A



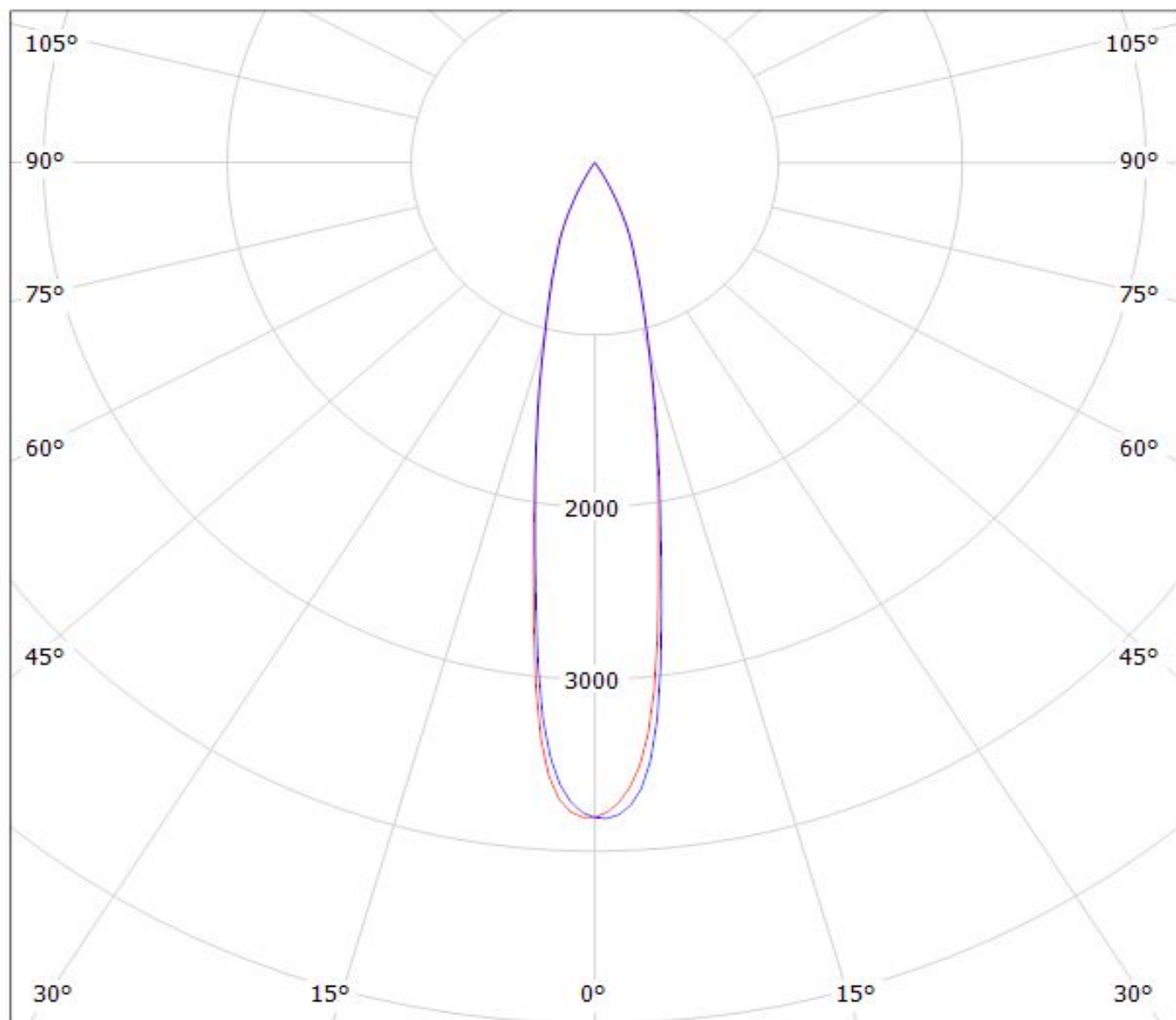
Luminaire: LEDiL Oy C13117_LENA-SS_(SOLERIQ_P13)

Lamps: 1 x SOLERIQ_P13_(GW_MAGMB1.EM)_1018.49lm@250mA_CCT=3000K_P=8.79046W_I=249.8mA



Luminaire: LEDiL Oy C13117_LENA-SS_(CLL040)

Lamps: 1 x Citizen_CLL040_(CLL040-1218A-50KL1A1)_1156.98lm@250mA_P=8.26164W_I=249.8mA



cd/klm

— C0 - C180

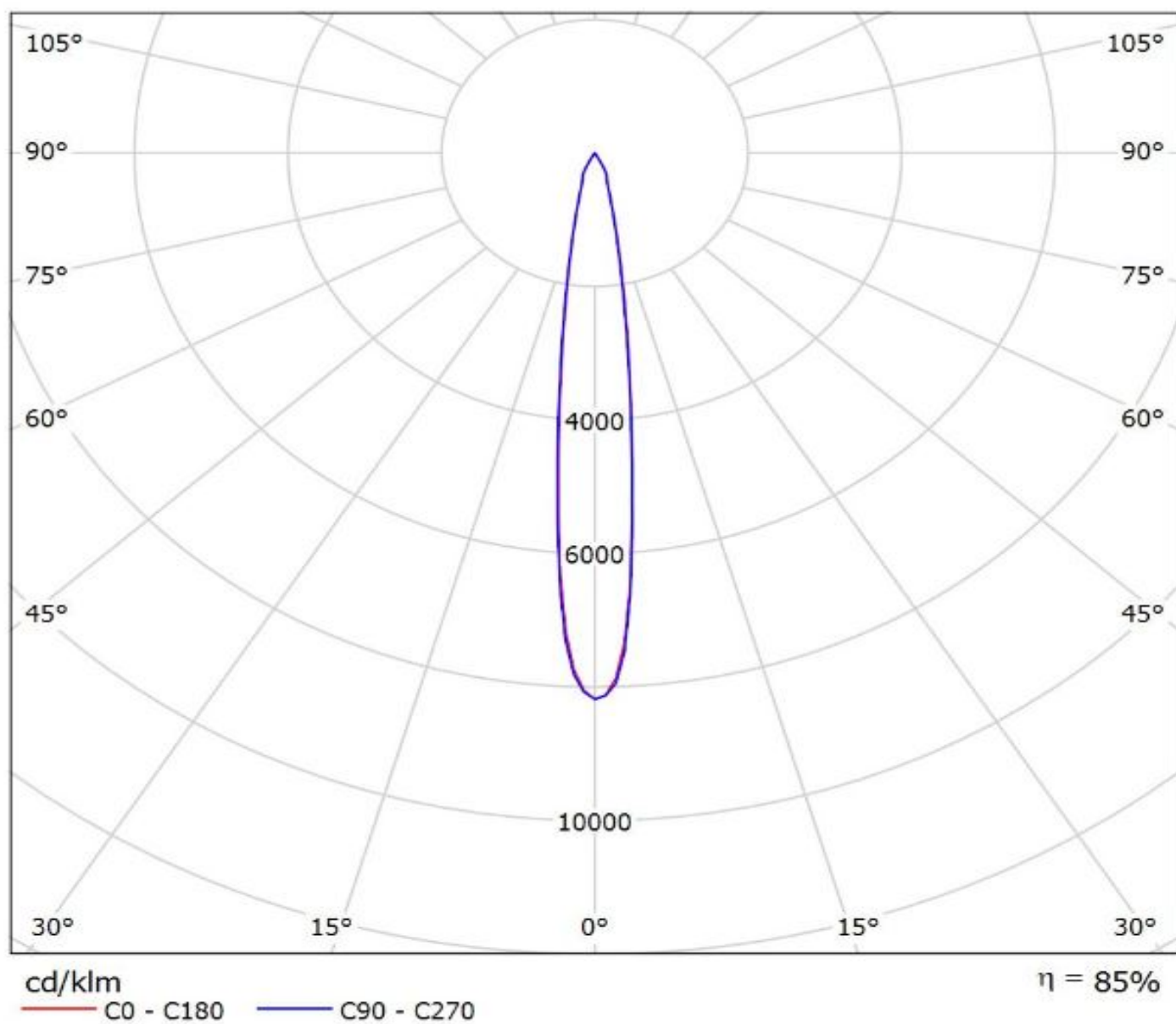
— C90 - C270

$\eta = 80\%$

Ledil C13117_LENA-SS_(CLU034+_8101-G2+_S-8000-11)/LDC (Polar)

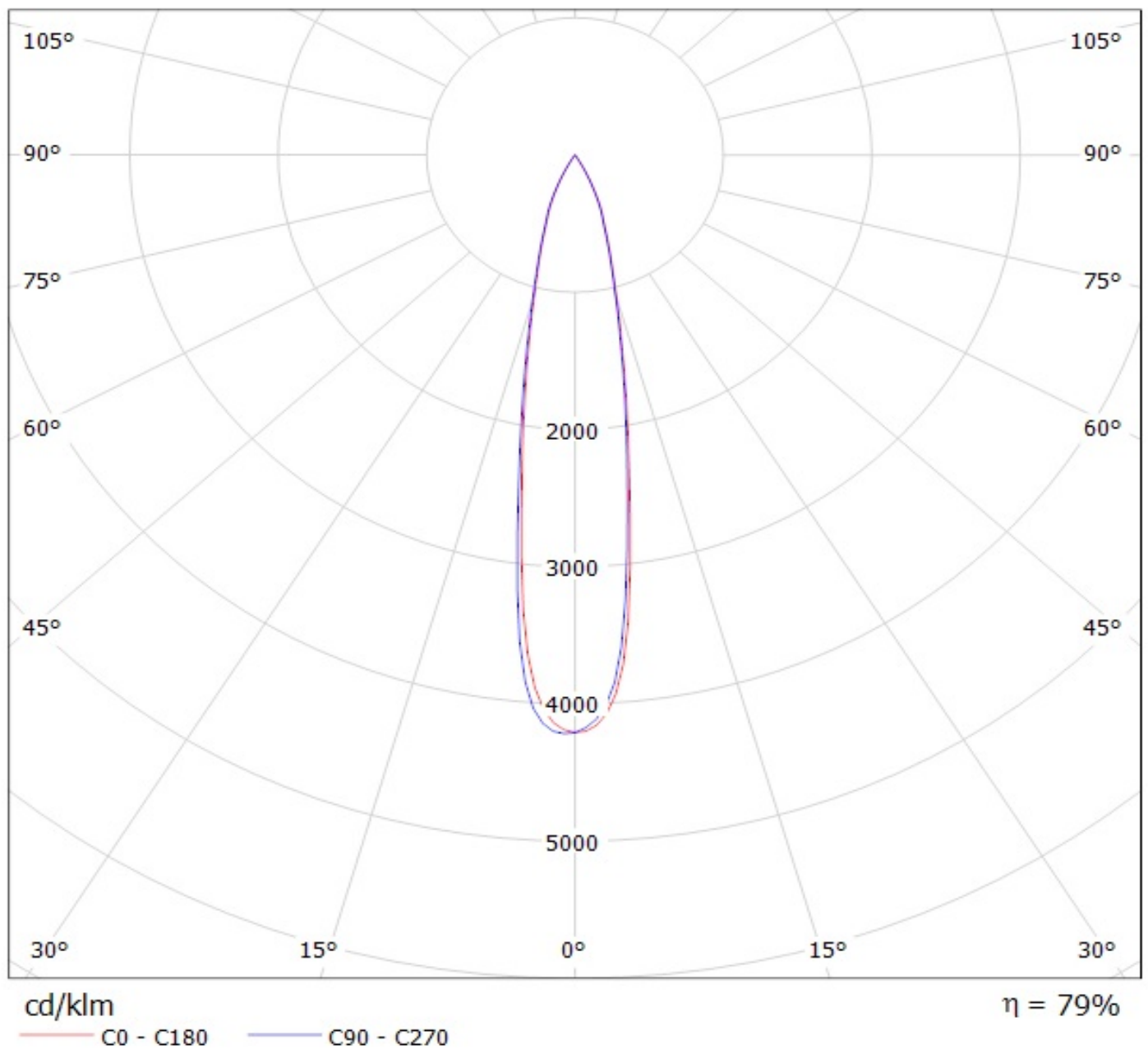
Luminaire: Ledil C13117_LENA-SS_(CLU034+_8101-G2+_S-8000-11)

Lamps: 1 x Citizen_CLU034_(1205B8-303M1A2)_1178.79lm@250mA_P=8.5W_I=0.25A



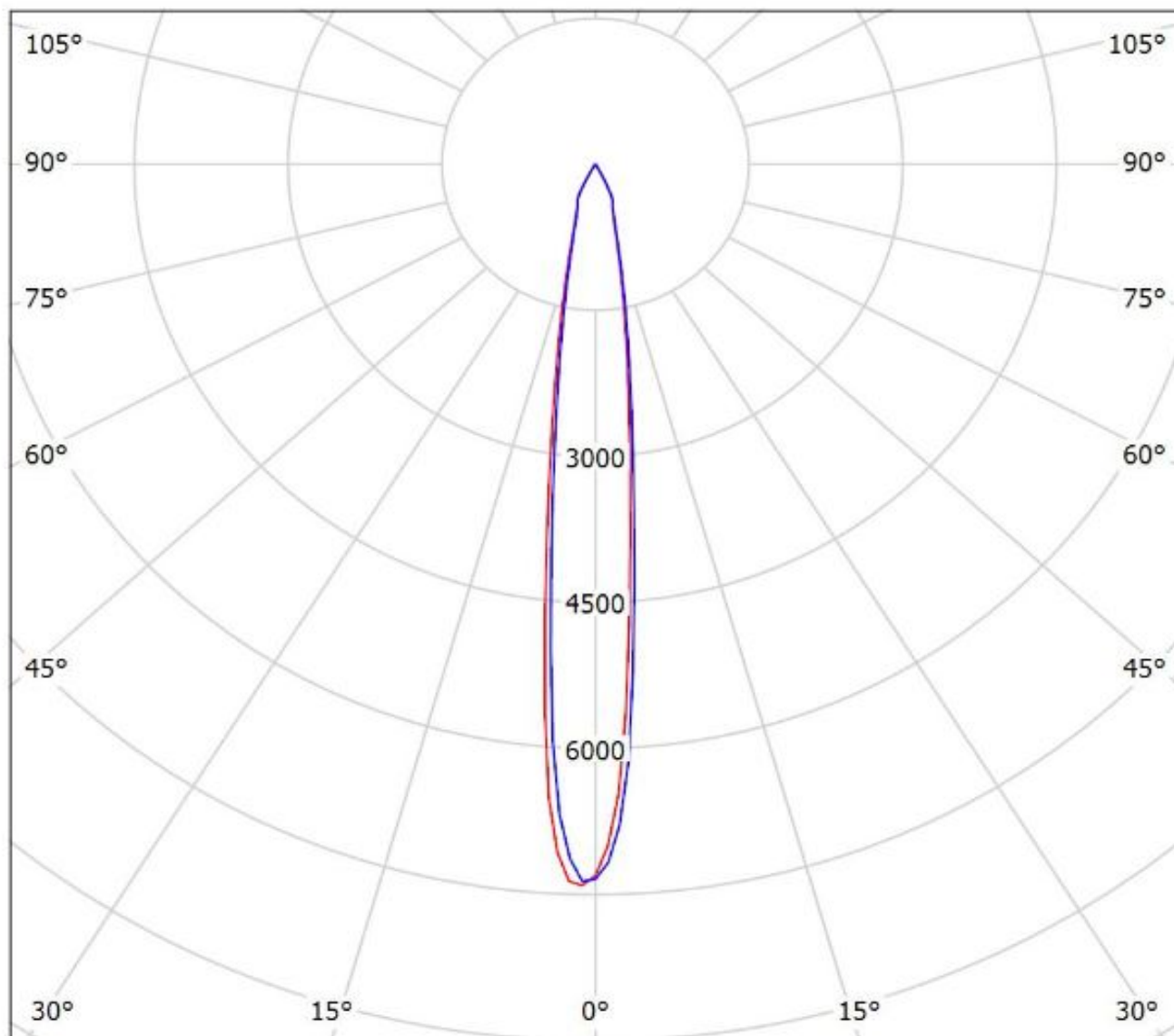
Luminaire: LEDiL Oy C13117_LENA-SS_(CLU044+_8102-G2+_S-8000-12)

Lamps: 1 x Citizen_CLU044_(1212B8-303M1A2)_546.982lm@100mA_P=3.2W_I=0.1A



Luminaire: LEDiL Oy C13117_LENA-SS_(SOLERIQ_P13)

Lamps: 1 x SOLERIQ_P13_(GW_MAGMB1.EM)_1018.49lm@250mA_CCT=3000K_P=8.79046W_I=249.8mA



cd/klm

— C0 - C180

— C90 - C270

$\eta = 81\%$

NOTE: The typical divergence will be changed by different color, chip size and chip position tolerance. The typical total divergence is the full angle measured where the luminous intensity is half of the peak value.

GENERAL INFORMATION

- Product series especially designed & optimized for series of LEDs.
- Special care taken to make light distribution as uniform as possible.

Note! Due to use of high power COB's with this product, special attention to proper thermal design is highly recommended. LEDiL has no liability for direct, indirect or consecutive damages arising from the LEDiL products being used outside of the recommended temperature range.