

# Customer Information Sheet

DRAWING No.: M90-601XX45

SHEET 2 OF 2

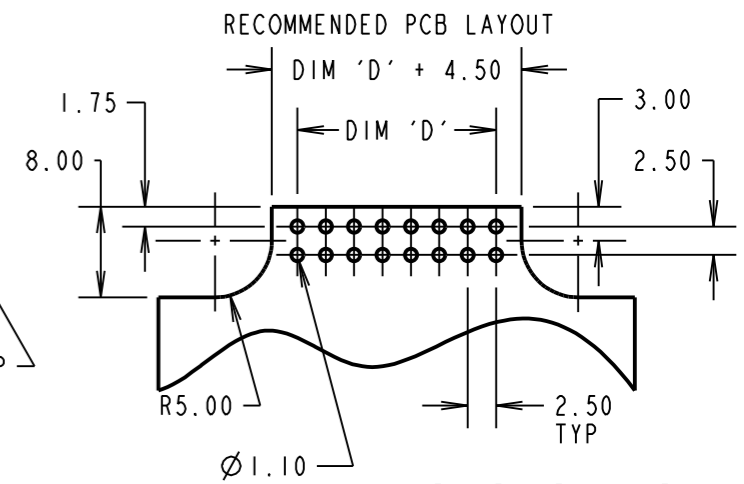
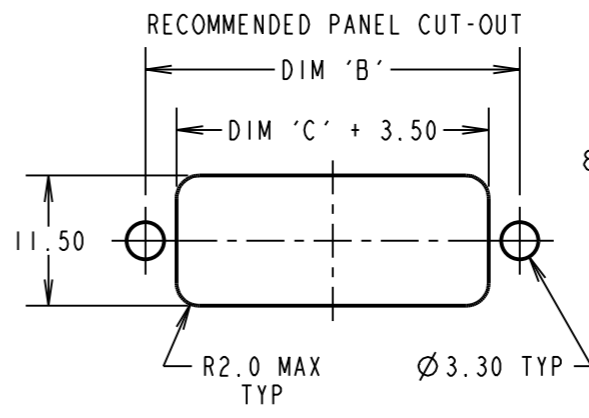
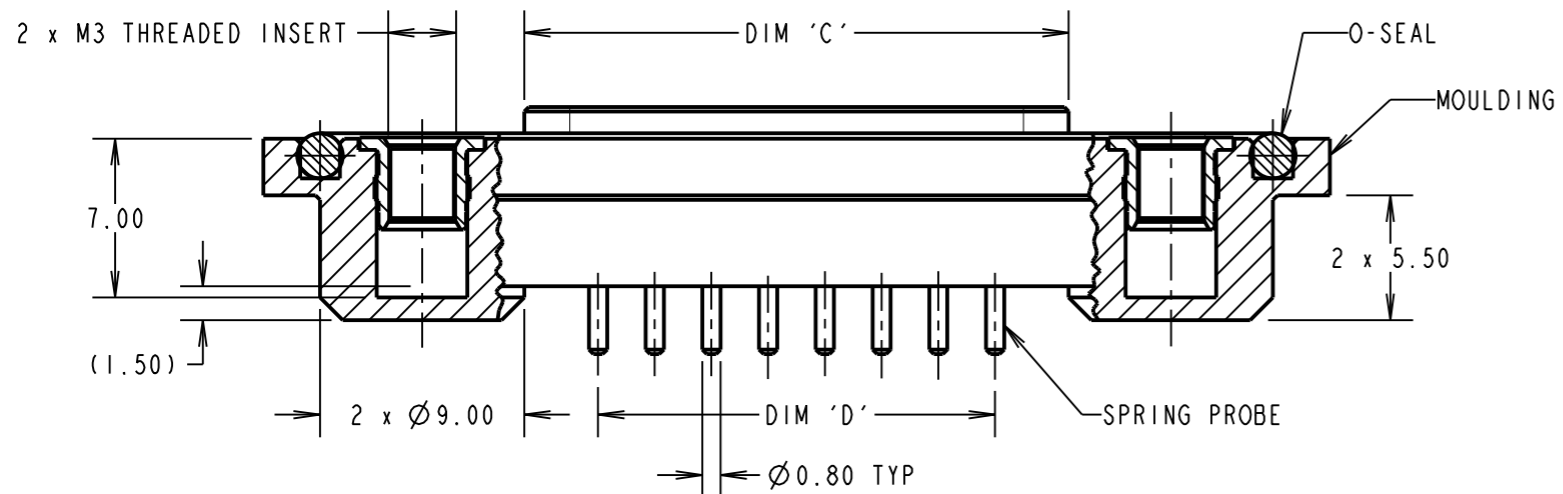
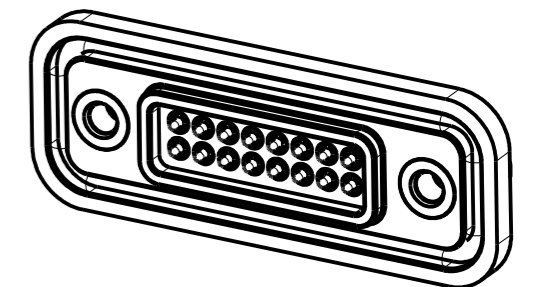
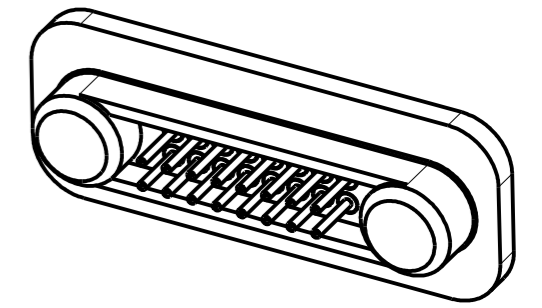
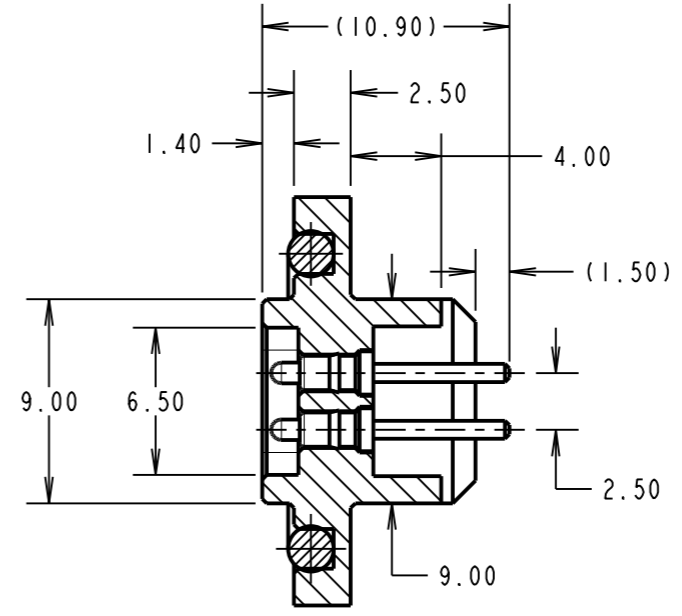
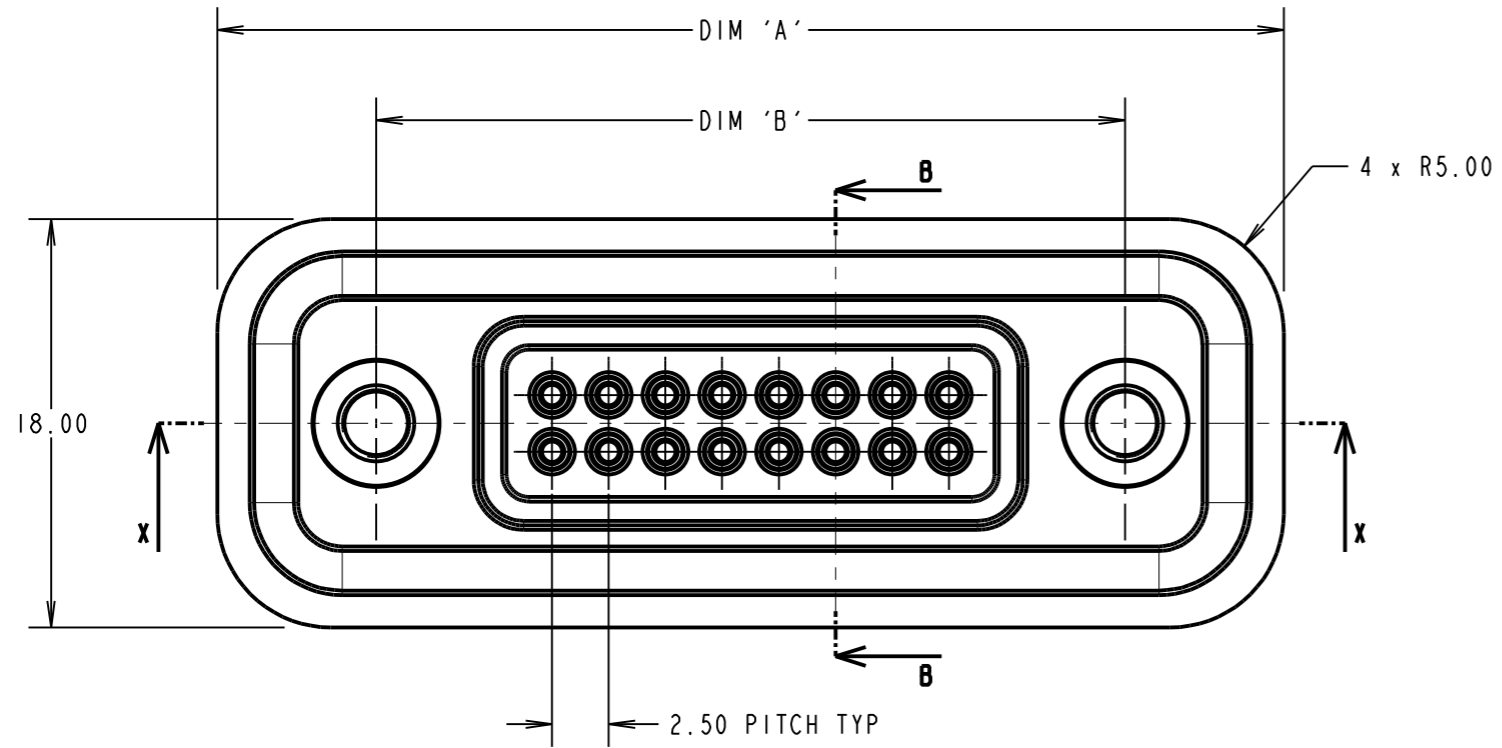
IF IN DOUBT - ASK

©

NOT TO SCALE

THIRD ANGLE PROJECTION

ALL DIMENSIONS IN mm



SECTION X-X

**SPECIFICATION:**

**MATERIAL:**  
 O-SEAL: THERMOPLASTIC ELASTOMER, 35 SHORE A  
 MOULDING: 30% GLASS FILLED POLYAMIDE 46  
 OR NYLON 6T, UL94V-0, BLACK  
 SPRING PROBE: BRASS  
 THREADED INSERT: BRASS  
**FINISH:**  
 SPRING PROBE: GOLD  
**ELECTRICAL:**  
 CONTACT RATING: 1A  
 WORKING VOLTAGE: 240V DC  
 CONTACT RESISTANCE: 30 MILLIOHMS  
 INSULATION RESISTANCE: 1000 MEGOHMS MIN AT 500V DC  
**ENVIRONMENTAL:**  
 OPERATING TEMPERATURE: -40°C - +100°C

**NOTES:**

- DRAWING SHOWS 16-WAY CONNECTOR.
- RECOMMENDED BULKHEAD MOUNTING THICKNESS: 1.50mm.
- RECOMMENDED MOUNTING SCREWS: M3x6 CSK.
- MAXIMUM TORQUE FOR M3 x 6mm CSK MOUNTING SCREWS = 80cNM WHEN CONNECTOR IS MOUNTED TO PANEL WITH DIAMETER 3.3 MAX FIXING HOLES.
- WHEN FULLY MATED WITH FIXED CONNECTOR, MOUNTING FLANGES WILL HAVE A GAP OF 3.5mm ±0.1mm TO ALLOW FOR PANEL THICKNESS.

| PART No.    | No. OF WAYS | DIMENSION |       |       |       |
|-------------|-------------|-----------|-------|-------|-------|
|             |             | A         | B     | C     | D     |
| M90-6010845 | 8 WAY       | 37.0      | 23.00 | 14.00 | 7.50  |
| M90-6011245 | 12 WAY      | 42.0      | 28.00 | 19.00 | 12.50 |
| M90-6011645 | 16 WAY      | 47.0      | 33.00 | 24.00 | 17.50 |

|                |      |             |        |
|----------------|------|-------------|--------|
| MSP            | 8    | 21.04.15    | 12843  |
| NAME           | ISS. | DATE        | C/NOTE |
| APPROVED:      |      | M.PERREN    |        |
| CHECKED:       |      | M.G.PLESTED |        |
| DRAWN:         |      | N.CODLING   |        |
| CUSTOMER REF.: |      |             |        |
| ASSEMBLY DRG:  |      |             |        |



THIS DRAWING AND ANY INFORMATION OR DESCRIPTIVE MATTER SET OUT HEREON ARE CONFIDENTIAL AND COPYRIGHT PROPERTY OF THE HARWIN GROUP AND MUST NOT BE DISCLOSED, LOANED, COPIED OR USED FOR MANUFACTURING, TENDERING OR FOR ANY OTHER PURPOSE WITHOUT THEIR WRITTEN PERMISSION.

**TOLERANCES**  
 X. = ±1mm  
 X.X = ±0.50mm  
 X.XX = ±0.10mm  
 X.XXX = ±0.01mm  
 ANGLES = ±5°  
 UNLESS STATED

**MATERIAL:**  
 SEE SPECIFICATION  
**FINISH:**  
 S/AREA: mm<sup>2</sup>

**TITLE:**  
 SPRING PROBE ASSEMBLY  
**DRAWING NUMBER:**  
 M90-601XX45  
 SHT 2 OF 2